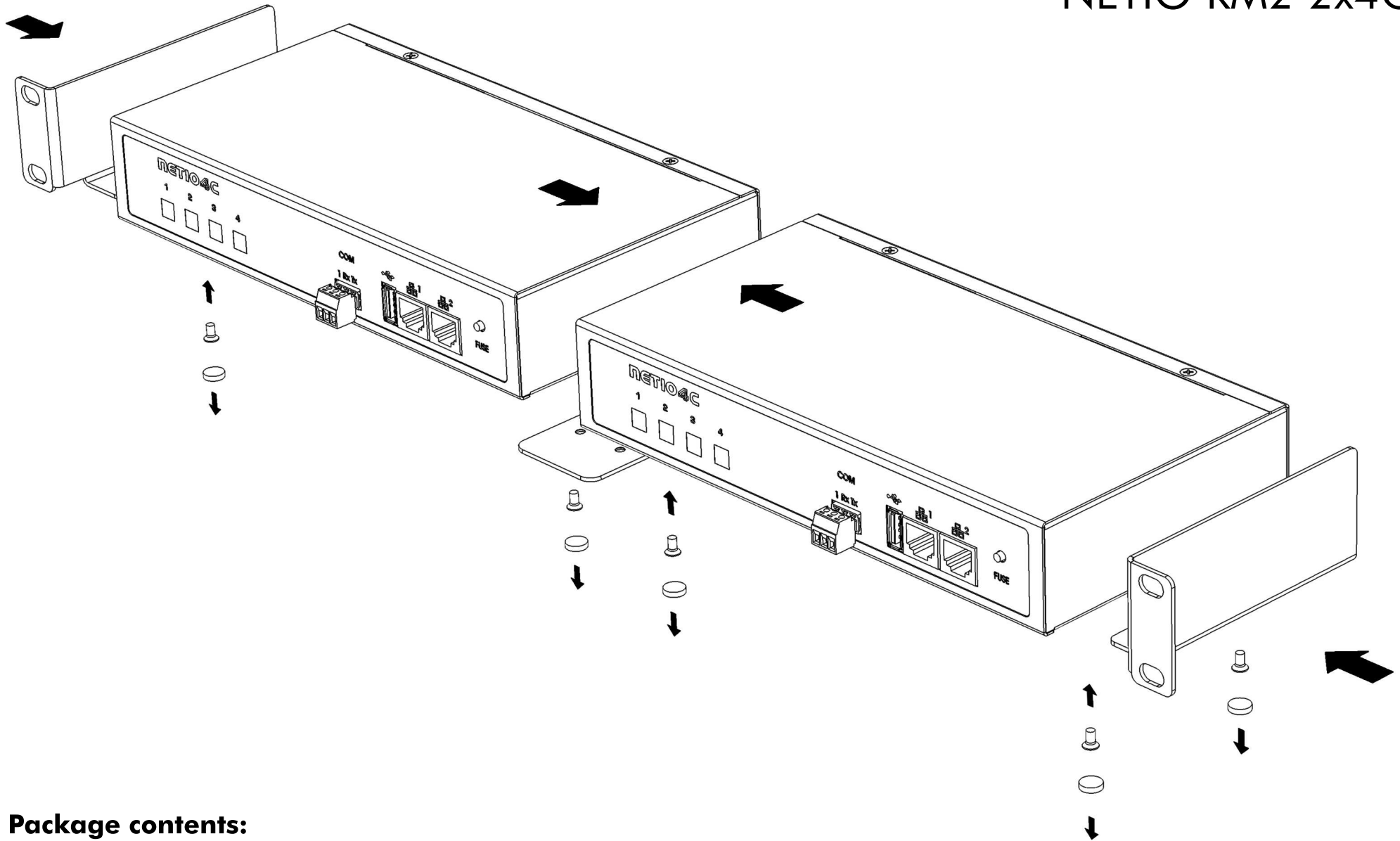


# NETIO RM2 2x4C



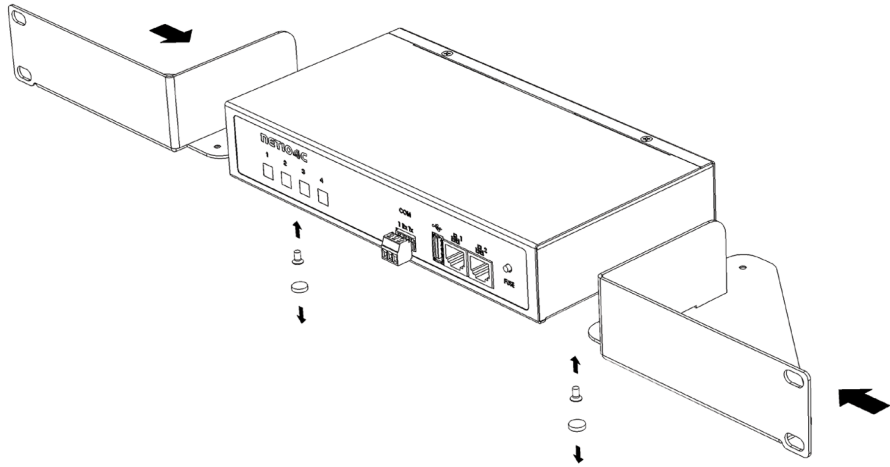
## Package contents:

- 2x rack mount bracket ( left and right part )
- 1x backplate connector
- 8x screw M3x6
- 1x M6 rack mounting set - bolt/washer/cage-nut (4)

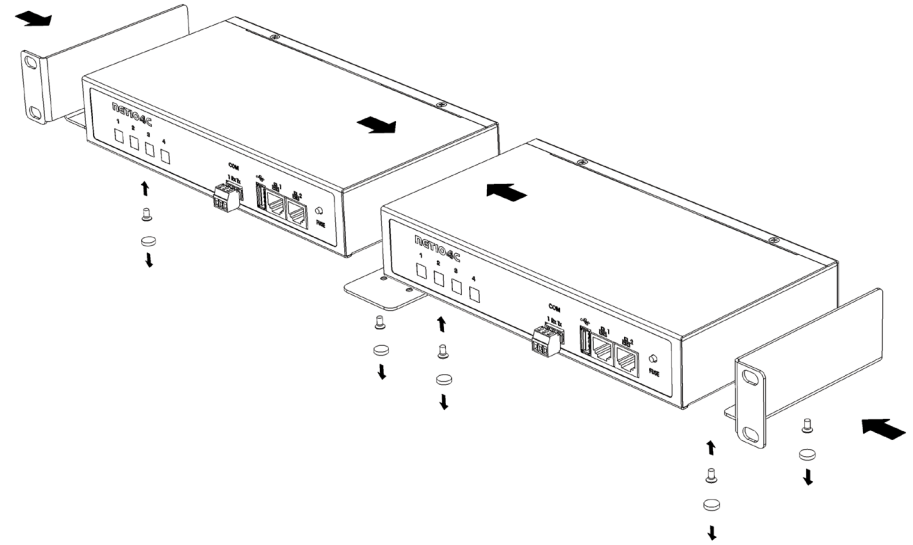
**NETIO**

[www.netio-products.com](http://www.netio-products.com)

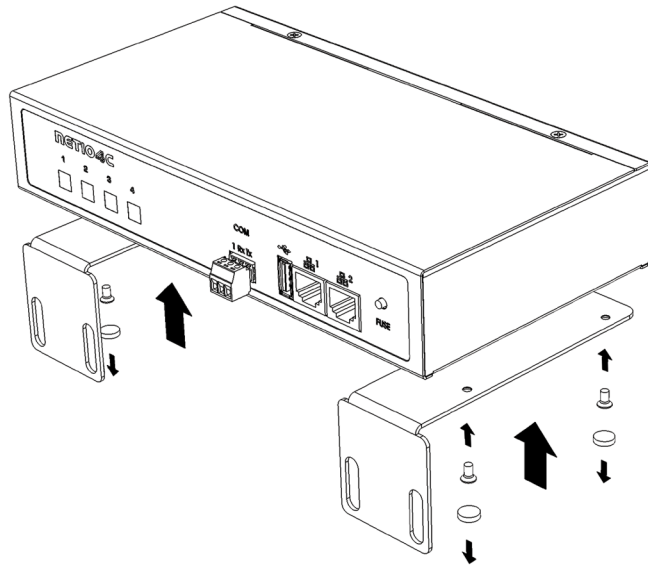
NETIO RM1 4C



NETIO RM2 2x4C



NETIO RM3 4C vertical



NETIO RM4 4C universal

