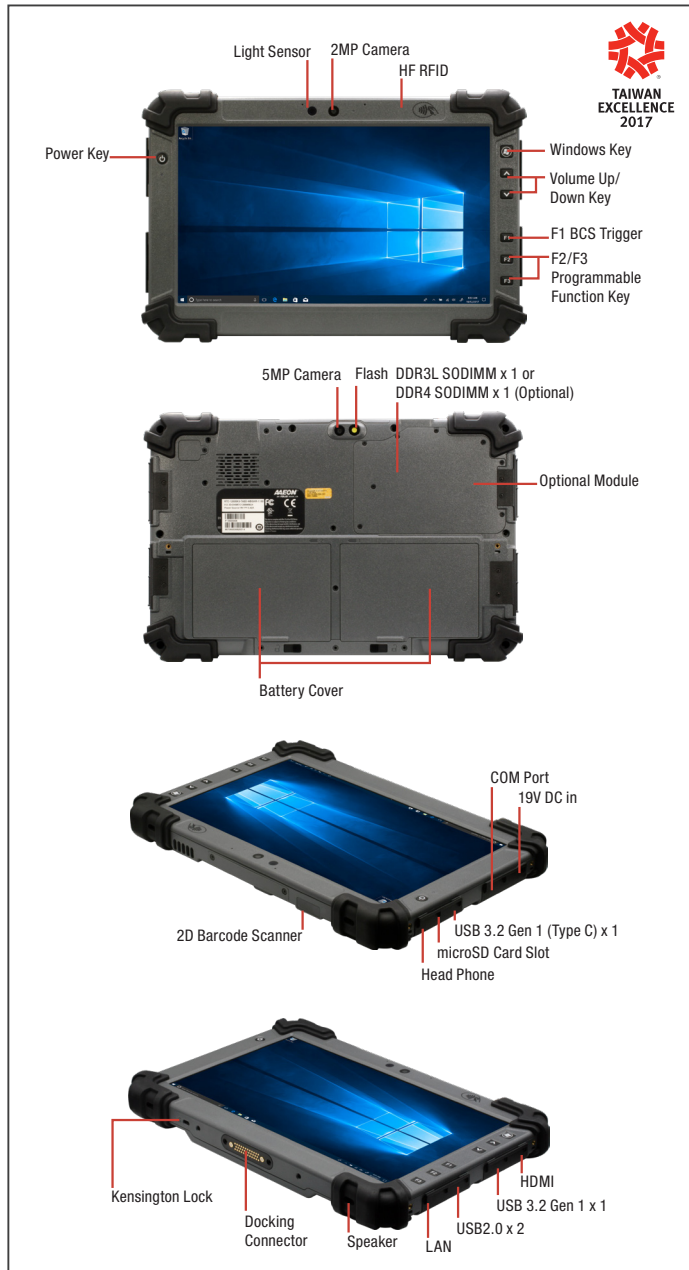


RTC-1200

11.6" Rugged Tablet Features Intel Kaby Lake Up To 3.9 GHz Dual Core Processor with Windows® 10



Features

- 11.6" FHD (1920 x 1080) 500-nit / 850-nit TFT LCD
- Intel® Core™ i 7100U / 7300U / Celeron® 3965U Up to 3.9 GHz
- One DDR4 SODIMM Socket, Up to 16GB
- One M.2 Slot for SSD, 64GB (Default) / 128GB / 256GB
- WiFi 802.11b/g/n, Bluetooth 5.1, LTE (Optional)
- 2MP Front and 5MP Rear Camera
- RS-232/422/485 COM Port + 10/100/1000 Base-T RJ45
- USB 3.2 Gen 1 x 2 (USB Type-C x 1), USB 2.0 x 2
- 2D Barcode Scanner / HF RFID (NFC) Reader (Optional)
- Hot-swappable Battery, 14.4V/ 2270mAh, 32.7W x 2
- MIL-STD-810G, IP65 Compliant, Drop 122cm
- Programmable Function Key: Windows, Volume Up/Down, P1, P2, P3, With LED Illumination
- Docking Connector with GNSS / WWAN Antenna Pass-through Connector
- Windows® 10 IOT



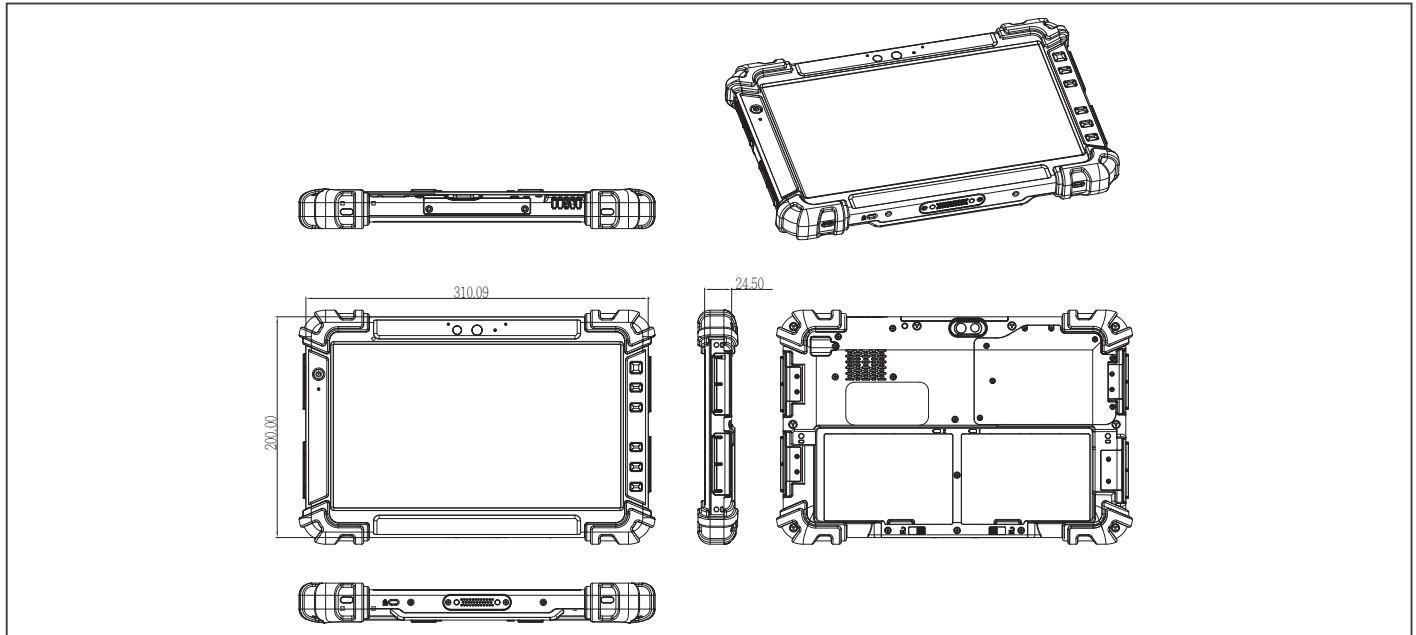
Expansion Slot	Mini-card slot x 1 (For LTE module) Docking connector x 1 GNSS antenna Pass-through connector x 1 WWAN antenna Pass-through connector x 1
Barcode Scanner (Optional)	2D Barcode scanner, OPTICON MDI-4100-USB (Optional)
HF RFID (Optional)	ISO 15693 (R/W), ISO 18092 (R/W), ISO 14443-A (R/W), ISO 14443-B (Only Read UID), Depend on card type
Audio	Speaker x 1
Physical Key	F0 or Windows (Windows Start Key), F1 (Ctrl+Atl+Del & BCR Trigger Button (When BCR is enabled)), F2 (Touch Mode Switch), F3 (Screenprint), Volume Up (Speaker Volume Up), Volume Down (Speaker Volume Down)
Mechanical	
Color	Gray & Black
Dimension (W x H x D)	12.36" x 7.87" x 0.96" (310.4 mm x 200.0 mm x 24.5 mm)
Gross Weight	3.3 lbs (1.5 Kg)
Environmental	
Operating Temperature	-4°F ~ 140°F (-20°C ~ 60°C)
Storage Temperature	-22°F ~ 158°F (-30°C ~ 70°C)
Humidity	5% ~ 90% relative humidity, non-condensing
Environmental Sealing	IP65
Vibration	MIL-STD-810G-514.6 Procedure I Cat.24, Fig 514.6E-1 & 514.6E-2
Drop	MIL-STD-810G Method 516.6 Procedure IV -Height of Drop: 122cm (48 inch; 4ft) -Number of Drop: 26 times, for all surfaces, edges and corners Condition: Based on 2" plywood over concrete
Shock	—
ESD	Air charge: +/- 8KV, Contact charge: +/- 4KV
Certifications and Standards	UL60950-1, CE/LVD: EN60950-1, CE, FCC
Power Supply	
AC / DC Adapter	AC 100 ~ 240 V, 50 ~ 60 Hz, Output: 19V/ 3.42A/ 65W
Battery Life	Li-ion Battery 6-hour battery life based on test configurations
Master Battery	Hot-swappable battery: 14.4V, 2270mAh, 32.7W
Slave Battery	Hot-swappable battery: 14.4V, 2270mAh, 32.7W
Display	
LCD	11.6" TFT-LCD Display
Resolution	1920 x 1080
Maximum Color	16.7M
Dot Size	0.117 (H) x 0.117 (V) mm
Brightness	500 nits (850 nits, Optional)
Viewing Angle	Horizontal: 178°, Vertical: 178° (Typical)
Touch Screen	
Touch Type	Projected Capacitive Multi-Touch Screen (PCT) Gloves / Finger mode Switchable by F2
Light Transmission	Min. 87% (ASTM D1003; Wavelength = 550 nm)

Specifications

System Architecture	
Processor	Intel® Core™ i 7100U / 7300U Dual Core up to 3.9GHz Intel® Celeron® 3965U Dual Core 2.2GHz Processor
Operating System	Windows® 10 IoT Enterprise 64bit (Default)
Memory	DDR4 SO-DIMM Socket x 1, up to 16GB
Storage	M.2 (NGFF) SSD, 64GB (Default) / 128GB / 256GB
Display	11.6" FHD (1920x1080) 500-nit / 850-nit TFT-LCD With Projected Capacitive Multi-Touch Screen
I/O Port	HDMI port x 1, SIM card slot x 1, Micro-SD card slot x 1 Audio jack x 1 (3.5mm), USB 3.2 Gen 1 x 2 (USB Type-C x 1), USB 2.0 x 2, DC-in Jack x 1, RS-232/422/485 COM Port x 1 10/100/1000 Base-T RJ45 x 1
Communication	Wi-Fi 802.11 b/g/n, Bluetooth v5.1
Navigation	GPS, GLONASS ==> Located in I/O board, PER-T407 143NEOM8Q0: u-blox NEO-M8Q-0
WWAN(optional)	LTE via mini-card slot (Optional)
Camera	2MP front camera, 5MP auto-focus rear camera with flash
Sensor	G-sensor, E-compass, Gyro-sensor, Light-sensor

Dimension

Unit: mm



Packing List

- **RTC-1200**
 - **125530065A**
AC-To-DC Power Adaptor, 19V, 65W
- *Power cord must be purchased separately.

Optional Accessories

- **RDS-241V-0000**
Docking Station, W/ Stand
- **RDS-241V-0001**
Docking Station, W/O Stand
- **RBC-1200-000**
4-bay Battery Charger
- **RTC-1200HSP01-000**
Rotating Hand-Strap
- **RTC-1200BLT01-000**
Shoulder Belt
- **RTC-1200BAT01-000**
Battery Pack, 14.4V, 2270mAh,
2 pcs/Box
- **RTC-1200BKT01-000**
Mounting Bracket (VESA/RAM)
- **RTC-1200-STSO1-000**
Passive Stylus
- **RTC-1200-STSO2-000**
Active Stylus
- **1259X00004**
DC-To-DC Power Adaptor, Flying
Wires
- **1255900901**
DC-To-DC Power Adaptor,
Cigarette Plug
- **1702031830**
Power Cord for US
- **1702031831**
Power Cord for EU
- **1702031835**
Power Cord for UK
- **1702031810**
Power Cord for Japan

* Small quantity MOQ may apply for optional/customized services.

Ordering Information

Part Number	CPU	OS	LCD Display	Touch Screen	System Memory	Storage	Expansion I/O	Sensor	WiFi/Bluetooth	Navigation	LTE Bands (MHz)	Camera	2D Barcode Scanner	NFC	Battery	Power
RTC-1200-RH1001	Celeron 3965U	Windows 10 IOT	11.6" 850 nits	PCT 10 points	SODIMM DDR4 4GB	M.2 64GB	HDMI port x 1 SIM card slot x 1 Micro-SD card slot x 1 Audio jack x 1 USB 3.0 x 1, USB 2.0 x 2 DC-in jack x 1 RS-232/422/485 COM Port x 1 10/100/1000 Base-T RJ45 x 1	G-sensor E-compass Gyro-sensor Light-sensor	802.11 b/g/n + BT5.1	GPS / GLONASS	—	Front: 2MP Rear: 5MP w/ Flash	—	—	32.7W + 32.7W	DC19V
RTC-1200-RH1002	i3-7100U	Windows 10 IOT	11.6" 850 nits	PCT 10 points	SODIMM DDR4 4GB	M.2 64GB	HDMI port x 1 SIM card slot x 1 Micro-SD card slot x 1 Audio jack x 1 USB 3.0 x 1, USB 2.0 x 2 DC-in jack x 1 RS-232/422/485 COM Port x 1 10/100/1000 Base-T RJ45 x 1	G-sensor E-compass Gyro-sensor Light-sensor	802.11 b/g/n + BT5.1	GPS / GLONASS	—	Front: 2MP Rear: 5MP w/ Flash	—	Yes	32.7W + 32.7W	DC19V
RTC-1200-RH1003	i3-7100U	Windows 10 IOT	11.6" 850 nits	PCT 10 points	SODIMM DDR4 4GB	M.2 64GB	HDMI port x 1 SIM card slot x 1 Micro-SD card slot x 1 Audio jack x 1 USB 3.0 x 1, USB 2.0 x 2 DC-in jack x 1 RS-232/422/485 COM Port x 1 10/100/1000 Base-T RJ45 x 1	G-sensor E-compass Gyro-sensor Light-sensor	802.11 b/g/n + BT5.1	GPS / GLONASS	—	Front: 2MP Rear: 5MP w/ Flash	Yes	Yes	32.7W + 32.7W	DC19V
RTC-1200-RH1004	i5-7300U	Windows 10 IOT	11.6" 850 nits	PCT 10 points	SODIMM DDR4 4GB	M.2 64GB	HDMI port x 1 SIM card slot x 1 Micro-SD card slot x 1 Audio jack x 1 USB 3.0 x 1, USB 2.0 x 2 DC-in jack x 1 RS-232/422/485 COM Port x 1 10/100/1000 Base-T RJ45 x 1	G-sensor E-compass Gyro-sensor Light-sensor	802.11 b/g/n + BT5.1	GPS / GLONASS	—	Front: 2MP Rear: 5MP w/ Flash	—	Yes	32.7W + 32.7W	DC19V