

Features

- 10.1" WXGA (1280 x 800) 800-nit / 300-nit TFT LCD
- Intel® Celeron™ N3350 1.1 GHz Dual Core Up to 2.4 GHz (N4200 Optional)
- Onboard DDR3L Memory, 4GB (Default)
- eMMC 64GB (mSATA III Up to 512GB Optional)
- Projected Capacitive Multi-Touch Screen
- WiFi 802.11b/g/n, Bluetooth 4.2, LTE (Optional)
- 2MP Front and 8MP Rear Camera
- RS-232/422/485 COM Port + 10/100/1000 Base-T RJ45
- USB 3.2 Gen 1 x 2 (USB Type-C x 1), USB 2.0 x 2
- 2D Barcode Scanner & Smart Card Reader (Optional)
- HF RFID Reader (Optional)
- Up to 3 GNSS, GPS+Galileo(Default), GLONASS or BeiDou (Optional)
- One Hot-swappable Battery + Internal Battery, Up to 44W Battery Capacity
- MIL-STD-810G, IP65 Compliant, Drop 122cm
- Programmable Function Key: F0, F1, F2, F3, Volume Up/Down, With LED Illumination
- Windows® 10 IOT / Android 9



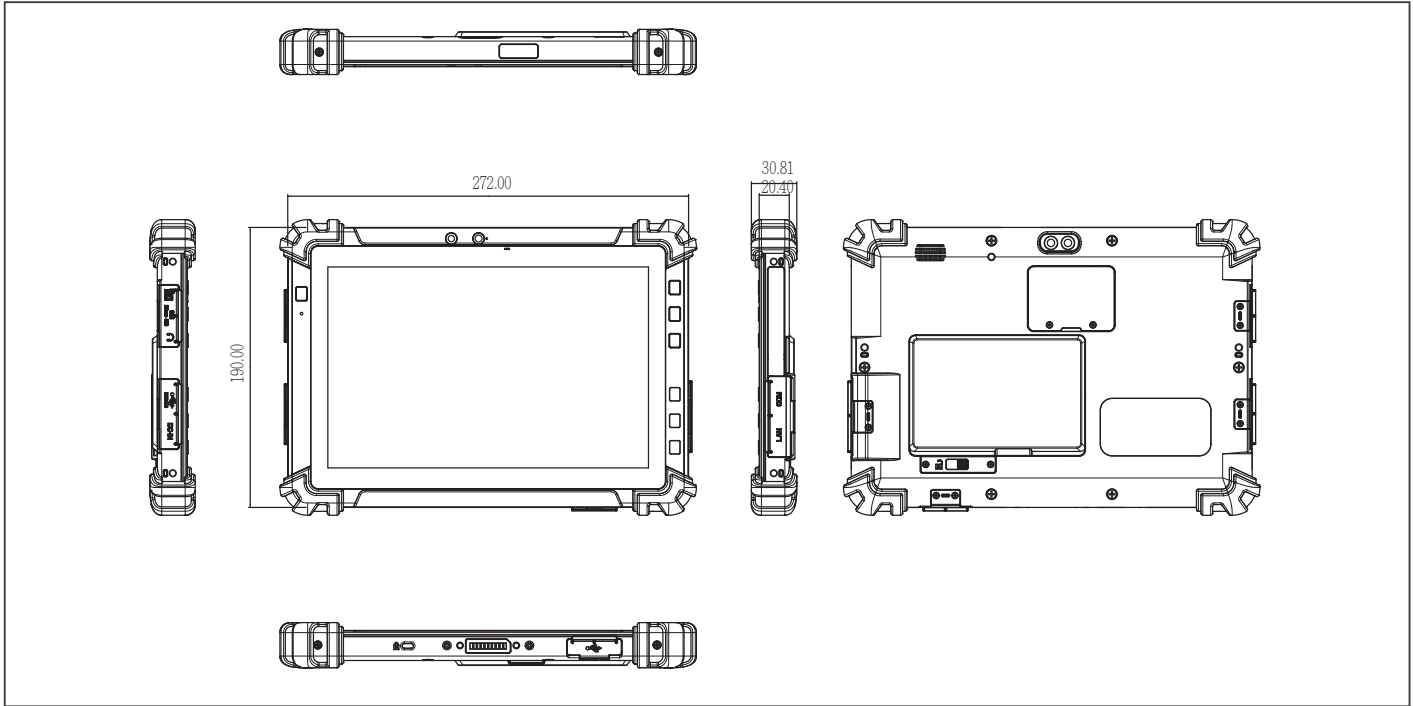
Specifications

| System Architecture | |
|----------------------------|--|
| Processor | Intel® Celeron® N3350 1.1GHz Dual core up to 2.4GHz Intel® Pentium® N4200 1.1GHz Quad core up to 2.5GHz |
| Operating System | Windows® 10 IOT Enterprise SAC / Android 9.0 |
| Memory | Onboard DDR3L 4GB (Default) |
| Storage | eMMC 64GB (mSATA III up to 512GB via inside mini-card slot, Optional) |
| Display | 10.1" WXGA (1280x800) 800-nit / 300-nit TFT LCD With Projected Capacitive Multi-Touch Screen |
| I/O Port | Micro-HDMI port x 1 SIM card slot x 1 Micro-SD card slot x 1 Audio jack x 1 USB 3.2 Gen 1 x 2 (USB Type-C x 1), USB 2.0 x 2, DC-in jack x 1, RS-232/422/485 COM Port x 1, 10/100/1000 Base-T RJ45 x 1, Smart card reader x 1 (Optional, Without IP protection) |
| Communication | Wi-Fi 802.11 b/g/n, Bluetooth v4.2 (EDR+BLE) |
| Navigation | Up to 3 GNSS, GPS + Galileo (Default), GLONASS or BeiDou (Optional) |
| WWAN(optional) | LTE via mini-card slot (Optional) |
| Camera | 2MP front camera, 8MP rear camera with flash |
| Sensor | G-sensor, E-compass, Gyro-sensor, Light-sensor |
| Expansion Slot | Inside mini-card slot x 1, Mini-card slot x 1, Docking connector: USB 2.0 x 1 |
| Barcode Scanner (Optional) | 2D Barcode scanner, OPTICON MDI-4100-USB (Optional) |
| HF RFID (Optional) | ISO 15693 (R/W) ISO 18092 (R/W) ISO 14443-A (R/W) ISO 14443-B (Only Read UID) Depend on card type |

| Physical Key | F0 or Windows (Windows Start Key), F1(BCR Trigger Button (When BCR is enabled)), F2(Screenprint), F3(Ctrl+Alt+Del as Soft Reboot), Volume Up, Volume Down |
|------------------------------|---|
| Mechanical | |
| Color | Black & Dark Grey |
| Dimension (W x H x D) | 10.71" x 7.48" x 0.80" (272.0 mm x 190.0 mm x 20.4 mm) |
| Gross Weight | 2.2 lb (1.0 Kg) based on configurations |
| Environmental | |
| Operating Temperature | -4°F ~ 122°F (-20°C ~ 50°C) |
| Storage Temperature | -67°F ~ 158°F (-55°C ~ 70°C) |
| Humidity | 0% ~ 90% relative humidity, non-condensing |
| Environmental Sealing | IP65 |
| Vibration | MIL-STD-810G-514.6 Procedure I Cat.24, Fig 514.6E-1 & 514.6E-2 (Unit is non-operating) ASTM 4169-99 Truck Assurance Level II, Schedule E (Unit is non-operating) |
| Drop | MIL-STD-810G-516.6, Procedure IV Drop height: 122 cm Number of Drop: 26 times, for all surfaces, edges and corners Condition: Based on 2" plywood over concrete |
| ESD | Air charge: +/- 8KV, Contact charge: +/- 4KV |
| Certifications and Standards | UL60950-1, CE, FCC |
| Power Supply | |
| AC / DC Adapter | AC 100 ~ 240 V, 50 ~ 60 Hz, Output: 12V/ 3A/ 36W |
| Battery Life | Li-ion Battery 8-hour battery life based on test configurations |
| Master Battery | Hot-swappable battery: 14.4V, 2270mAh, 32.7W |
| Slave Battery | 7.4V, 1530mAh, 11.3W |
| Display | |
| LCD | 10.1" TFT-LCD/ 16:10 with LED backlight |
| Resolution | 1280 x 800 |
| Maximum Color | N/A |
| Dot Size | 0.1692 (H) x 0.1692 (V) mm |
| Brightness | 300 nits (800 nits optional) |
| Viewing Angle | Horizontal: 170° (Typ.), Vertical: 170° (Typ.) |
| Touch Screen | |
| Touch Type | Projected capacitive multi-touch screen (PCT) |
| Light Transmission | Min 85% |

Dimension

Unit: mm



Packing List

- 12V Power Adaptor
 - RTC-1010
- *Power cord must be purchased separately.

Optional Accessories

- **RDS-411-000**
Docking Station
- **RDS-411-001**
Docking Station, W/ Stand
- **RBC-1200-000**
4-bay Battery Charger
- **RTC-1010-HS-000**
Hand Strap
- **RTC-1010-SB-000**
Shoulder Belt, 2 Points
- **RTC-1200BAT01-000**
Battery Pack, 14.4V, 2270mAh , 2 pcs/Box
- **1255900363**
DC-To-DC Power Adaptor, Flying Wires
- **1255900364**
DC-To-DC Power Adaptor, Cigarette Plug

Ordering Information

| Part Number | CPU | OS | LCD Display | Touch Screen | System Memory | Storage | Expansion I/O | Sensor | WiFi/ Bluetooth | Navigation | LTE Bands (MHz) | Camera | 2D Barcode Scanner | HF RFID | Battery | Power |
|-----------------|-------|-----------------|----------------|---------------|---------------|-----------|---|--|----------------------|-------------------------|-----------------|----------------------------------|--------------------|---------|---------------|-------|
| RTC-1010-R0004 | N3350 | Windows® 10 IOT | 10.1" 300 nits | PCT 10 points | DDR3L 4GB | eMMC 64GB | Micro-HDMI port x 1, SIM card slot x 1, Micro-SD card slot x 1, Audio jack x 1, USB 3.2 Gen 1 x 2 (USB Type-C x 1), USB 2.0 x 2, DC-in jack x 1 | G-sensor E-compass Gyro-sensor Light-sensor | 802.11 b/g/n + BT4.2 | — | — | Front: 2MP | — | — | 32.7W | DC12V |
| RTC-1010-R0005 | N3350 | Windows® 10 IOT | 10.1" 300 nits | PCT 10 points | DDR3L 4GB | eMMC 64GB | Micro-HDMI port x 1, SIM card slot x 1, Micro-SD card slot x 1, Audio jack x 1, USB 3.2 Gen 1 x 2 (USB Type-C x 1), USB 2.0 x 2, DC-in jack x 1, RS-232/422/485 COM Port x 1, 10/100/1000 Base-T RJ45 x 1 | G-sensor E-compass Gyro-sensor Light-sensor | 802.11 b/g/n + BT4.2 | GPS / Galileo / GLONASS | — | Front: 2MP Rear: 8MP w/ Flash | — | — | 32.7W + 11.3W | DC12V |
| RTC-1010-R0001 | N3350 | Windows® 10 IOT | 10.1" 300 nits | PCT 10 points | DDR3L 4GB | eMMC 64GB | Micro-HDMI port x 1, SIM card slot x 1, Micro-SD card slot x 1, Audio jack x 1, USB 3.2 Gen 1 x 2 (USB Type-C x 1), USB 2.0 x 2, DC-in jack x 1, RS-232/422/485 COM Port x 1, 10/100/1000 Base-T RJ45 x 1 | G-sensor E-compass Gyro-sensor Light-sensor | 802.11 b/g/n + BT4.2 | GPS / Galileo / GLONASS | — | Front: 2MP Rear: 8MP w/ Flash | Yes | Yes | 32.7W + 11.3W | DC12V |
| RTC-1010-R0003 | N4200 | Windows® 10 IOT | 10.1" 300 nits | PCT 10 points | DDR3L 4GB | eMMC 64GB | Micro-HDMI port x 1, SIM card slot x 1, Micro-SD card slot x 1, Audio jack x 1, USB 3.2 Gen 1 x 2 (USB Type-C x 1), USB 2.0 x 2, DC-in jack x 1, RS-232/422/485 COM Port x 1, 10/100/1000 Base-T RJ45 x 1 | G-sensor E-compass Gyro-sensor Light-sensor | 802.11 b/g/n + BT4.2 | GPS / Galileo / GLONASS | — | Front: 2MP Rear: 8MP w/ Flash | Yes | Yes | 32.7W + 11.3W | DC12V |
| RTC-1010-RH0005 | N3350 | Windows® 10 IOT | 10.1" 800 nits | PCT 10 points | DDR3L 4GB | eMMC 64GB | Micro-HDMI port x 1, SIM card slot x 1, Micro-SD card slot x 1, Audio jack x 1, USB 3.2 Gen 1 x 2 (USB Type-C x 1), USB 2.0 x 2, DC-in jack x 1, RS-232/422/485 COM Port x 1, 10/100/1000 Base-T RJ45 x 1 | G-sensor E-compass Gyro-sensor Light-sensor | 802.11 b/g/n + BT4.2 | GPS / Galileo / GLONASS | — | Front: 2MP Rear: 8MP w/ Flash | — | — | 32.7W + 11.3W | DC12V |
| RTC-1010-RH0003 | N4200 | Windows® 10 IOT | 10.1" 800 nits | PCT 10 points | DDR3L 4GB | eMMC 64GB | Micro-HDMI port x 1, SIM card slot x 1, Micro-SD card slot x 1, Audio jack x 1, USB 3.2 Gen 1 x 2 (USB Type-C x 1), USB 2.0 x 2, DC-in jack x 1, RS-232/422/485 COM Port x 1, 10/100/1000 Base-T RJ45 x 1 | G-sensor E-compass Gyro-sensor Light-sensor | 802.11 b/g/n + BT4.2 | GPS / Galileo / GLONASS | — | Front: 2MP Rear: 8MP w/ Flash | Yes | Yes | 32.7W + 11.3W | DC12V |
| RTC-1010-R0003A | N4200 | Android 9 | 10.1" 300 nits | PCT 10 points | DDR3L 4GB | eMMC 64GB | Micro-HDMI port x 1, SIM card slot x 1, Micro-SD card slot x 1, Audio jack x 1, USB 3.2 Gen 1 x 2 (USB Type-C x 1), USB 2.0 x 2, DC-in jack x 1, RS-232/422/485 COM Port x 1, 10/100/1000 Base-T RJ45 x 1 | G-sensor E-compass Gyro-sensor Light-sensor | 802.11 b/g/n + BT4.2 | GPS / Galileo / GLONASS | — | Front: 2MP Rear: 8MP w/ Flash | Yes | Yes | 32.7W + 11.3W | DC12V |