

FPM-7151T

15" XGA Industrial Monitor with Resistive Touch Control, Direct VGA/DP, and Wide Operating Temperature Range



Features

- 15" XGA TFT LED LCD with 50K backlight lifetime
- Robust system with IP66-rated aluminum front panel
- Wide operating temperature range (-20 ~ 60 °C/-4 ~ 140 °F)
- Anti-glare touchscreen with tempered glass
- Supports various mount options: panel, wall, desktop, and VESA arm
- Combo RS-232+USB interface for touchscreen functionality
- OSD control buttons on rear panel
- Lockable I/O connectors

Introduction

FPM-7000T series monitors are the first, true-flat, 4:3, industrial-grade monitors. The 5-wire resistive touchscreen is enclosed in a highly durable, die cast aluminum alloy front bezel that provides IP66-rated protection from water and dust ingress. Additionally, the FPM-7000T series monitors support a wide operating temperature range (-20 ~ 60 °C/-4 ~ 140 °F) and various mount options to ensure easy installation and support for diverse environments.

Specifications

General

- **OSD Controls** OSD control buttons on rear panel
- **Certification** BSMI, CCC, CE, FCC Class A, UL
- **Dimensions (W x H x D)** 383.2 x 307.3 x 48.2 mm (15.09 x 12.10 x 1.90 in)
- **Enclosure** Front panel: Die cast magnesium alloy
Rear cover: SECC
- **Mount Options** Stand, Wall, Panel and VESA 75 x 75 & 100 x 100mm
- **Power Input** Phoenix Jack: 24 V_{DC} input
- **Power Consumption** 15 W + 20%
- **Video Port** VGA & DP
- **Weight (Net)** 4.2 kg (9.26 lb)

LCD Display

- **Display Type** XGA TFT LED LCD
- **Display Size** 15"
- **Max. Resolution** 1024 x 768
- **Max. Color** 16.7M
- **Viewing Angle (H/V °)** 160/140
- **Luminance (cd/m²)** 400
- **Backlight Life** 50,000 hr
- **Contrast Ratio** 700 :1

Touchscreen

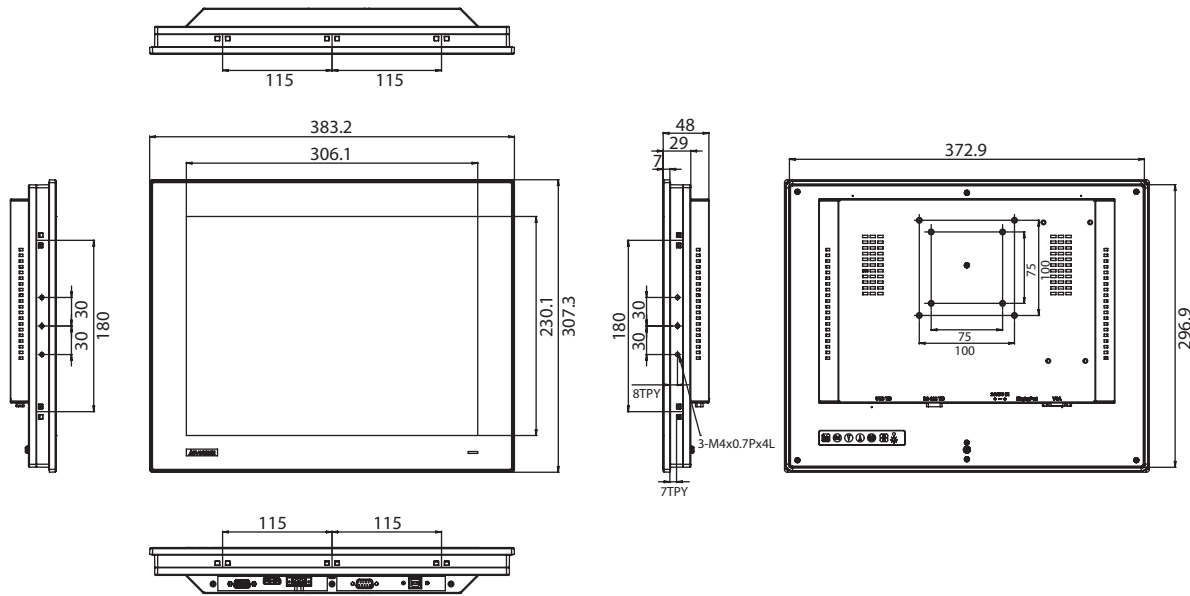
- **Type** 5-wire analog resistive
- **Interface** RS-232 and USB
- **Light Transmission** Above 75%
- **OS Support** Windows XP, Vista, 7, 8, 10, XPe and Linux

Environment

- **Operating Temperature** -20 ~ 60 °C (-4 ~ 140 °F)
- **Storage Temperature** -30 ~ 70 °C (-22 ~ 158 °F)
- **Humidity (Storage)** 10 ~ 90% non-condensing
- **IP Rating** Front panel is IP66 compliant
- **Vibration** 5 ~ 500 Hz, 1 Grms (Operating, Random)

Dimensions

Unit: mm



Panel Cutout Dimensions: 374.5 x 298.5 mm (14.74 x 11.75 in)

Ordering Information

- FPM-7151T-R3AE 15" XGA Ind Monitor w/Resistive TS (VGA/DP)

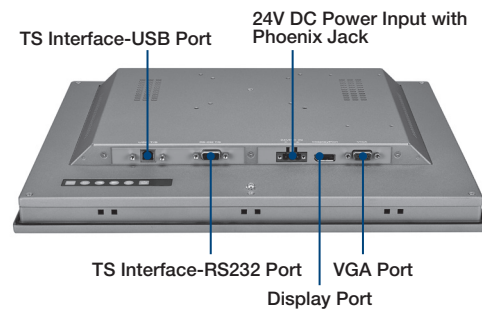
Optional Accessories

- 1702002600 Power Cable US Plug 1.8 M
- 1702002605 Power Cable EU Plug 1.8 M
- 1702031801 Power Cable UK Plug 1.8 M
- 1700000596-11 Power Cable China/Australia Plug 1.8 M
- 96PSA-A60W24T2 Adapter 100-240V 60W 24V 2.5A
- FPM-7000G-ADKE Mounting bracket of adapter for FPM-7000
- FPM-1000T-SMKE Stand/Wall Mount Kit

Front View



I/O View



Rear View

