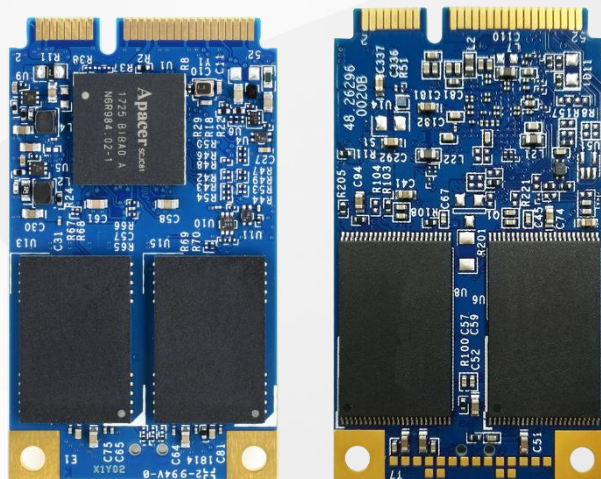


## The Most **Reliable** Storage For Industries

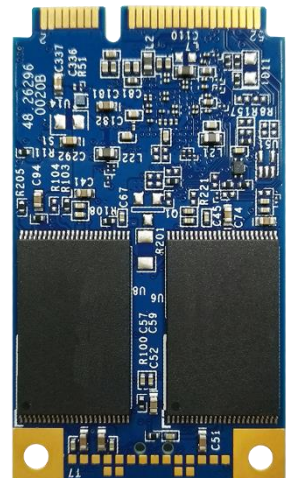
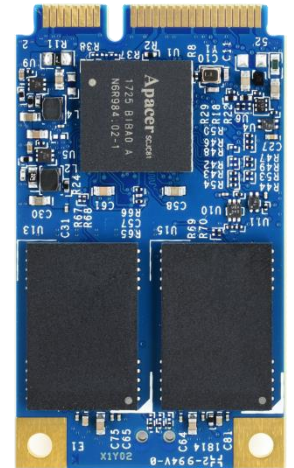
ST170-300



## ST170-300

### Overview

Apacer's ST170-300 (JEDEC MO-300) is a well-balanced solid-state disk (SSD) drive with standard form factor and great performance. Designed in SATA 6.0 Gbps interface, the SSD is able to deliver exceptional read/write speed, making it the ideal companion for heavy-loading industrial or server operations. ST170-300 (JEDEC MO-300) utilizes 3D NAND for higher capacity up to 960GB and provides more power efficiency than 2D NAND. It is suitable for Embedded, POS, KIOSK and IPC applications to optimize its operating conditions featuring in high-speed, stability and power savings.



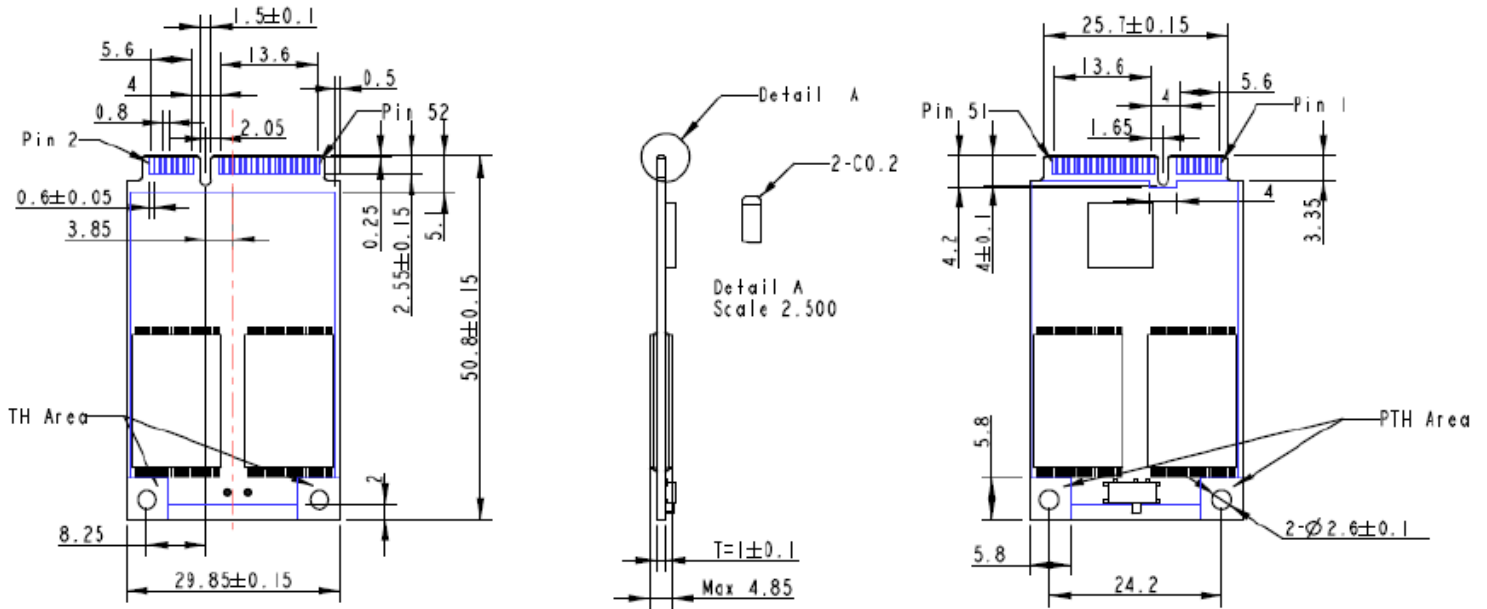
### Feature

- Support LDPC ECC
- Global Wear Leveling
- Flash bad-block management
- S.M.A.R.T. and SSD Widget
- Power Failure Management
- End-to-End Data Protection
- TRIM Support
- ATA Secure Erase
- Hyper Cache Technology
- Over-Provisioning

## Specifications

<b>Model</b>	ST170-300
<b>Interface</b>	SATA 3.0 (6Gb/s)
<b>Connector</b>	52-pin mSATA connector
<b>Form Factor</b>	JEDEC MO-300
<b>NAND Flash Type</b>	3D TLC
<b>Capacity</b>	30GB~960GB
<b>External DRAM</b>	No
<b>Sustained Read Performance (MB/sec)</b>	Up to 560
<b>Sustained Write Performance (MB/sec)</b>	Up to 510
<b>ECC Engine</b>	Low-Density Parity-Check (LDPC) Code
<b>IOPS (4K Random Write)</b>	87K
<b>Standard Operating Temperature ( °C )</b>	0 ~ + 70
<b>Storage Temperature ( °C )</b>	-40 ~ + 100
<b>H/W Write Protect</b>	No
<b>Thermal Sensor</b>	Yes
<b>Shock</b>	Operation: 50G/11ms (compliant with MIL-STD-202G) Non-operation: 1500G/0.5ms (compliant with MIL-STD-883K)
<b>Vibration</b>	Operation: 7.69 Grms, 20~2000 Hz/random (compliant with MIL-STD-810G) Non-operation: 4.02 Grms, 15 ~ 2000 Hz/sine (compliant with MIL-STD-810G)
<b>Operating Voltage</b>	3.3 V ± 5%
<b>Power Consumption</b>	Active mode: 540 mA / Idle mode: 95 mA
<b>Dimension (L x W x H )</b>	50.80 x 29.85 x 4.85 (mm)
<b>MTBF (hours)</b>	>1,000,000

## Mechanical Specification



Unit: mm

For more information,  
contact your Apacer representative

## Global Presence

Taiwan (Headquarters)  
Apacer Technology Inc.  
Tel: +886-2-2267-8000  
Fax: +886-2-2267-2261

Europe  
Apacer Technology B.V.  
Tel: +31-40-267-0000  
Fax: +31-40-290-0686

U.S.A.  
Apacer Memory America, Inc.  
Tel: +1-408-518-8699  
Fax: 1-510-249-9551

China  
Apacer Electronic(Shanghai)  
Co., Ltd.  
Tel: +86-21-6228-9939

Japan  
Apacer Technology Corp.  
Tel: +81-3-5419-2668  
Fax: +81-3-5419-0018

India  
Apacer Technologies Pvt. Ltd.  
Tel: +91-80-41529061~3  
Fax: +91-80-41700215