

# Apacer

The Most **Reliable**  
Storage For Industries



**EH353**

### Overview

EH353 is ultra high-performance flash disk drive designed offering portable storage solutions or external memory expansion. This new generation USB flash drive is compatible with the latest USB specification – USB3.0 Super Speed, with a maximum transfer rate of 5.0Gbps. The connector is backward employable with USB2.0 and USB1.1 interfaces as well. With the superb reliability of SLC chips and the advantage of Fixed B.O.M., Apacer highlights that the firmware and major components of all the products can be fixed upon customers' recognition and verification. This reduces the risk of out-of-stock and compatibility issues, ensuring high durability and reliability for customers.



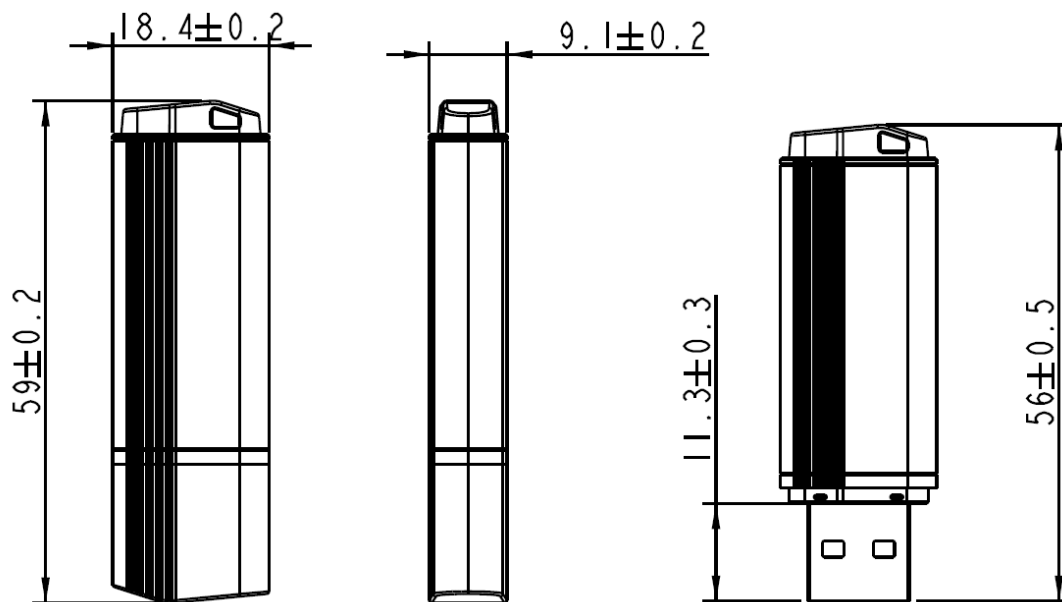
### Feature

- USB3.0 high-speed transmission
- Support S.M.A.R.T Function
- Power Failure Management
- Advanced wear-leveling algorithms
- ECC engine
- Power Saving implemented
- Optional Industrial temp. range -40°C to 85°C

## Specifications

<b>Model</b>	EH353
<b>Interface</b>	USB 3.0
<b>Connector</b>	USB 3.0 A Type Plug
<b>Form Factor</b>	USB flash drive
<b>NAND Flash Type</b>	SLC
<b>Capacity</b>	256MB~32GB
<b>Sustained Read Performance (MB/sec)</b>	Up to 80
<b>Sustained Write Performance (MB/sec)</b>	Up to 70
<b>ECC Engine</b>	Built-in 39-bit per 1K bytes BCH ECC
<b>Standard Operating Temperature ( °C )</b>	0 ~ + 70
<b>Extended Operating Temperature ( °C )</b>	-40 ~ + 85
<b>Storage Temperature ( °C )</b>	-40 ~ + 100
<b>Shock</b>	Operation: 50G, 11ms Non-operation: 1500G, 0.5ms
<b>Vibration</b>	Operation: 7.69 Grms, 20~2000 Hz/random (comply with MIL-STD-810G) Non-operation: 4.02(Grms), 15~2000(Hz)/random (comply with MIL-STD-810G)
<b>Operating Voltage</b>	5.0 V ± 5%
<b>Power Consumption</b>	Active mode: 225 mA & Idle mode: 65 mA
<b>Dimension (L x W x H )</b>	59 x 18.4 x 9.1 (mm)
<b>MTBF (hours)</b>	>3,000,000

## Mechanical Specification



Unit: mm

For more information, contact your Apacer representative

### Global Presence

Taiwan (Headquarters)  
Apacer Technology Inc.  
Tel: +886-2-2267-8000  
Fax: +886-2-2267-2261

Europe  
Apacer Technology B.V.  
Tel: +31-40-267-0000  
Fax: +31-40-290-0686

U.S.A.  
Apacer Memory America, Inc.  
Tel: +1-408-518-8699  
Fax: 1-510-249-9551

China  
Apacer Electronic(Shanghai)  
Co., Ltd.  
Tel: +86-21-6228-9939

Japan  
Apacer Technology Corp.  
Tel: +81-3-5419-2668  
Fax: +81-3-5419-0018

India  
Apacer Technologies Pvt. Ltd.  
Tel: +91-80-41529061~3  
Fax: +91-80-41700215