

SOM-DK3569 Evaluation Kit

Starter kit of Qseven R2.1,
with SOM-3569

NEW



Features

- Qseven® 2.1 Specification - Set of SOM-3569 with Intel Atom E3950 & SOM-DB3520
- Dual-CH LPDDR4 4GB Memory, onboard 32GB eMMC & TPM2.0
- GbE, 4 PCIe1, 1 USB3.0, 8 USB2.0
- Win10 and WISE-PaaS/EdgeSense inside. Support iManager APIs
- Power Adapter, Cable & Panel included
- Plastic case & EPE foam protection
- Operating temperature 0 ~ 60 °C

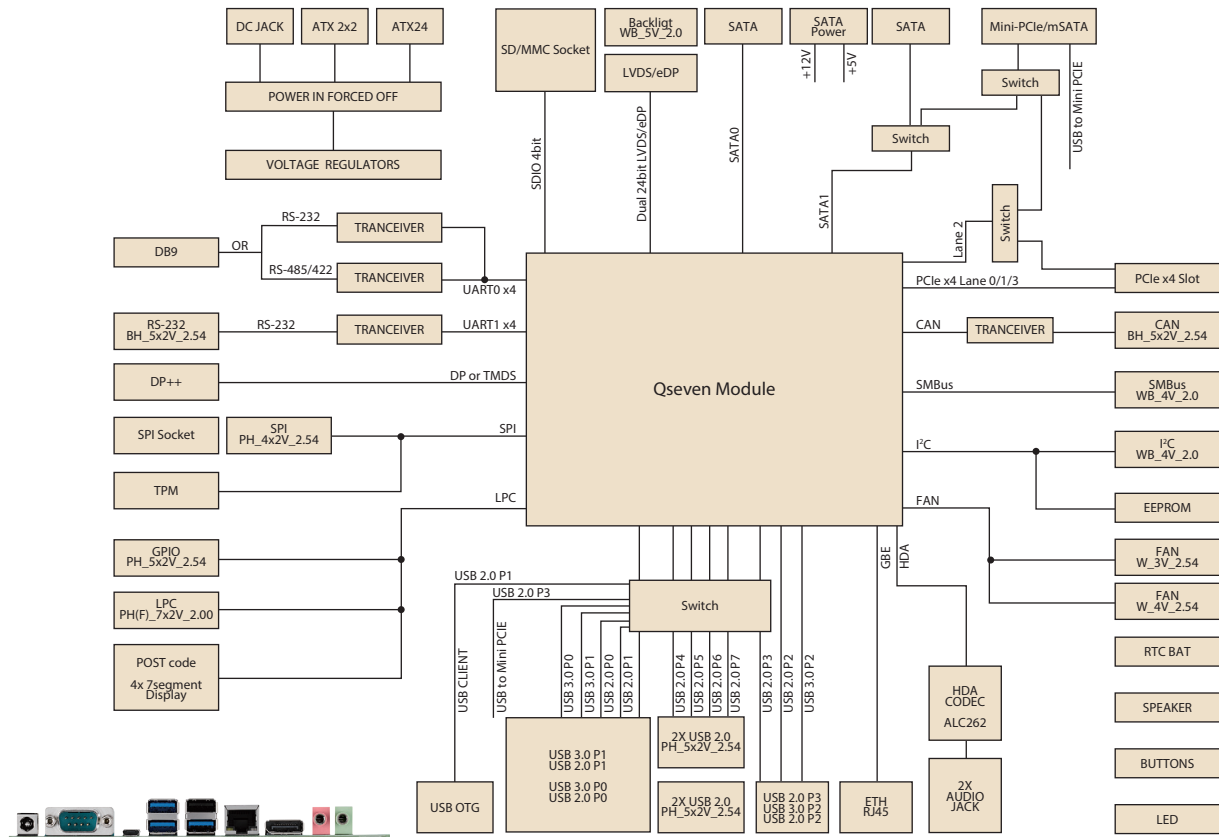
Windows 10

WISE-PaaS/EdgeSense iManager CE FC

Specifications

Platform	Module	SOM-3569, Qseven R2.1
	Processor	Intel Atom E3950, 4 Cores, 12W
	Memory	LPDDR4 4GB
	PCI Express x1	4 PCIe1
	LPC	Yes
Ethernet	Controller	Intel® i211AT
	Speed	10/100/1000 Mbps
Serial Bus	SMBus	Yes
	I2C Bus	Yes
	CAN Bus	Yes
I/O	SATA	2 Ports. Support Gen3.1 (6Gb/s) and Gen2 (3 Gb/s) or Gen 1(1.5 Gb/s)
	USB3.0	1 Port (up to 2 Ports by BOM option)
	USB2.0	8 Ports
	USB Client	N/A (up to 1 Port by BOM option)
	SPI Bus	1 Socket. Support SPI BIOS EEPROM
	SDIO	1 Socket. Support SD 3.1
	COM Port	2 Ports. 4-wire COM 2 Ports; optional mux with GPIO 8-bit
	TPM	Yes
Smart Fan	1 Port	
Graphics	Controller	Intel® HD Graphics
Display	LCD	Panel: 8.4" LVDS PANEL 450N 800X600(G) Support Dual channel LVDS 18/24-bit (eDP optional), DP (HDMI/DVI optional)
Power	Type	ATX: Vin, VSB, AT: Vin
	Supply Voltage	Vin: 5V±5%, VSB: 5V±5%, RTC Battery: 2.0-3.3V
Environment	Temperature	Operating Standard: 0 ~ 60 °C (32 ~ 140 °F) Storage -40 ~ 85 °C (-40 ~ 185 °F)
	Humidity	Operating: 40 °C @ 95% relative humidity, non-condensing Storage: 60 °C @ 95%relative humidity, non-condensing
Mechanical	Dimensions	170 x 170 mm (6.7" x 6.7") for Carrier Board 70 x 70 mm (2.75" x 2.75") for SOM-3569 module

Block Diagram



*- TPM function - depends on CPU platform, please confirm with PM/sales first.

Packing List

Part No.	Description	Quantity
9696352000E	Development Board, Qseven R2.1	1
9696356900E	Intel Pentium E3950, SOM-3569 Qseven Module	1
1960083261N001	SOM-3569 I-APL(E3900 series) Heatspreader	1
1960058145N001	Semi-Heatsink, 70L x 63W x 13.2H (0 ~ 60 °C)	1
96LEDK-A084SV45NB2	8.4" LED PANEL 450N 800X600(G) G084SN05 V9(V901)	1
1700008941	M Cable SATA 7P/SATA 7P 32CM C=R 180/180D W/Lock	1
1700018785	A CABLE SATA 15P/1*4P-2.5 35cm for AIMB-213	1
1700100170	A Cable 2*5P-2.54/USB-A(F)*2 17.5cm W/ BKT F/9	1
1701100300	F Cable IDE#3 10P-2.54/D-SUB 9P(M) 30cm	1
96CB-L2040PAB5	LVDS CABLE 20-40PIN 50CM AB5 TYPE(G)	1
96CB-E0405PIB3	LED CABLE 4-5PIN 50CM IB3 TYPE(G)	1
96PSA-A60W12V1-1	ADP A/D 100-240V 60W 12V C14 DC PLUG 180°	1