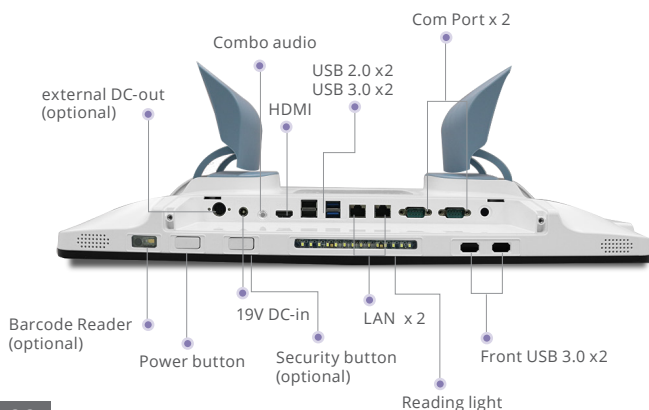
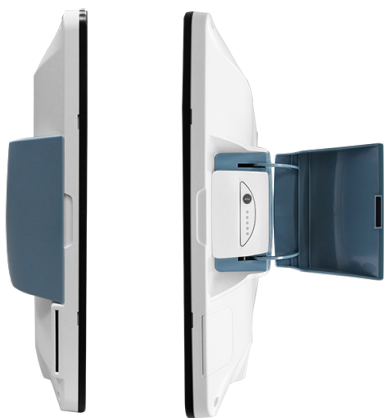


Medical Cart Computer

# Venus-224/244

22",24" Dual Hot Swappable Battery Medical Cart Computer



## Features

- Intel 11th gen Tigerlake, fan less implementation
- Windows 11 and IGEL Compliant
- Dual Hot Swap Batteries
- Easy cleanable and anti-bacterial
- Internal Imprivata compliant RFID reader (optional)
- WiFi 6 (optional)
- Compliant with all Venus batteries
- Remotely Manageable by central IT departments

## Specifications

### MAIN SPECIFICATIONS

	Venus-224	Venus-244
Processor	Intel® 11th generation Core i7 1165G7 / i5 1135G7	
System Memory	DDR4 up to 64GB	
OS Support	Microsoft® Windows 11 Microsoft® Windows 10 (64bit) Ubuntu 20.04 LTS IGEL (thin client solution)	
Storage	m.2 SSD up to 1TB	
Wireless Communication	802.11 ac/a/b/g/n + BT 4.1 (optional) Wifi6 + BT 5.2 (optional)	
Touch	PCT (optional)	
Speaker	3W x2	
Trusted Platform Module	TPM 2.0	
Security	Smart Card Reader (optional) Imprivata RFID reader (optional) Barcode reader (optional)	
Waterproof	Front IP65 ; rear IPX1	

### DISPLAY

	Venus-224	Venus-244
Display Size	21.5"	23.8"
Resolution	FHD 1920 x 1080	FHD 1920 x 1080
Max. Colors	16.7M	16.7M
Contrast Ratio	1000:1	3000:1
Luminance (cd/m2)	250	250

### I/O

USB	Rear I/O :USB 3.0 x2, USB 2.0 x2 Front button I/O : USB 3.0 x2
Video Out	HDMI 1.4 x1
COM	COM port x2
Audio	Combo audio port x1
Ethernet	1.5kv isolated Gigabit LAN x2
DC-in	19V DC-in x1

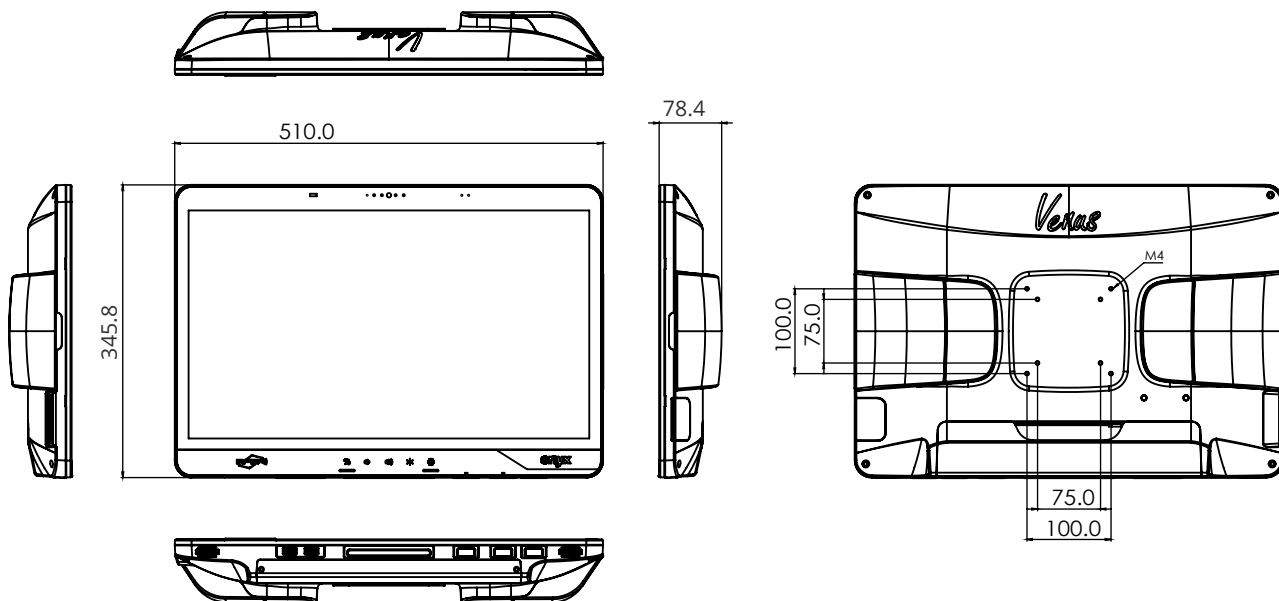
### MECHANICAL AND ENVIRONMENTAL

VESA	75/100 mm VESA mount	
Operating Temperature	0°C ~ 35°C(32°F ~ 95°F)	
Storage Temperature	-20°C ~ 60°C(-4°F ~ 140°F)	
Storage Humidity	10%~95%@40°C, non-condensing	
Dimension	510(L) x 78.4(W) x 346(H)	560(L) x 78.4(W) x 373(H)
Net Weight	6kg	7kg
Gross Weight	10kg(26.5lbs)	11kg(24.3lbs)
Package Size	645(L) x 210(W) x 513(H) mm	730(L) x 240(W) x 550(H) mm
Certifications	CE: EN 60601-1-2:2015(V4.0), EN 60601-1:2006/ A1:2013(V3.1) FCC: Part 18 Class B UL: ANSI/AAMI ES60601-1:2012 (V3.1) cUL: CAN/CSA-C22.2 No. 60601-1:2014 (V3.1)	

ALL PRODUCT, PRODUCT SPECIFICATIONS AND DATA ARE SUBJECT TO CHANGE WITHOUT NOTICE TO IMPROVE RELIABILITY, FUNCTION OR DESIGN OR OTHERWISE.

## 22",24" Dual Hot Swappable Battery Medical Cart Computer

### Dimension / Unit: mm



### Ordering Information

- VENUS-224-P35-A1-0000  
Cart Computer.i5 1135G7.22".Fanless.PCT.TPM
- VENUS-224-G75-A1-0000  
Cart Computer.7505.22".Fanless.TPM
- VENUS-244-P35-A1-0000  
Cart Computer.i5 1135G7.24".Fanless.PCT.TPM
- VENUS-244-G75-A1-0000  
Cart Computer.7505.24".Fanless.TPM

### Optional Accessories

- 125530120B  
19V medical adapter
- DDR4-08G-04  
DDR4 3200 8GB RAM
- SSD-256GB-003  
(AOH)(TF)M.2 2242 SSD.TLC.256GB
- 9789BAXL14  
2 XL Battery Kit(long).Li-ion 3S3P.10.95V.Venus/UPower.  
volume package
- OPM-C17W-A1  
Wifi 6 (intel ax200) for Venus-22x
- OPM-C15W-A8  
WLAN Kit 802.11 a/b/g/n/d . BT 5 . dual band antenna.  
Intel AC9260
- OPM-T035-A1  
Smart card reader
- OPM-S02R-A3  
RFID (imprivata compatible)
- OPM-V02C-A1  
Hello camera
- OPM-S09R-A1  
Barcode reader
- OPM-T036-A1  
Customize physical button
- OPM-T037-A1  
Alarm LED