

CONNECT AND PROTECT

Interscale

# Small Form Factor Cases – Interscale

## INTERSCALE PASSIVE OR CONVECTION COOLED



02613002

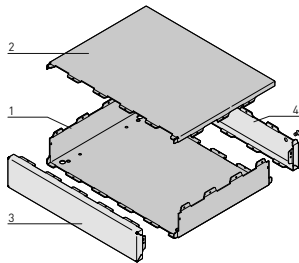


02613014

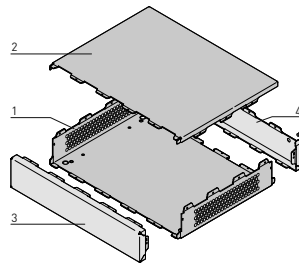
- Available plain or perforated for forced cooling with fans
- Modular case consisting of 4 easy to assemble parts
- Integrated EMC protection
- Ingress protection IP 30 (plain version)
- Color RAL 7016
- Small form factor or 19" rack mount
- Rigid construction only requires two screws
- Other dimensions, cutout shapes or locations, and screen printing available

### DELIVERY INCLUDES (assembled)

Item	Qty	Description
1	1	Base with 2 side panels (plain or perforated), St, 1 mm, AlZn coated, RAL 7016 (anthracite gray); 19"-angle, 1,5 mm St, AlZn coated, RAL 7016 (only on 19" version case)
2	1	Top cover, Al, 1 mm, RAL 7016
3	1	Front panel, Al, 1 mm, RAL 7016
4	1	Rear panel, Al, 1 mm, RAL 7016
5	1	User manual



02613050

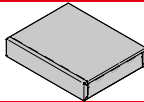
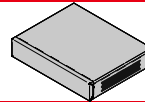


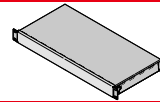

02613051

Plain case

Perforated case

### ORDER INFORMATION

Desktop cases					
Height	Width	Depth	Desktop case plain	Desktop case perforated	
					
U	mm	mm	mm	Part no.	Part no.
1	43.65	132.55	132.55	<b>14820-133</b>	–
1	43.65	132.55	177.00	<b>14820-134</b>	–
1	43.65	221.45	177.00	<b>14820-154</b>	<b>14825-154</b>
1	43.65	221.45	221.45	<b>14820-155</b>	<b>14825-155</b>
1	43.65	310.35	221.45	<b>14820-175</b>	<b>14825-175</b>
1	43.65	399.25	221.45	<b>14820-195</b>	<b>14825-195</b>
1	43.65	399.25	310.35	<b>14820-197</b>	<b>14825-197</b>
2	88.10	221.45	177.00	<b>14820-254</b>	<b>14825-254</b>
2	88.10	221.45	221.45	<b>14820-255</b>	<b>14825-255</b>
2	88.10	310.35	221.45	<b>14820-275</b>	<b>14825-275</b>
2	88.10	399.25	221.45	<b>14820-295</b>	<b>14825-295</b>
2	88.10	399.25	310.35	<b>14820-297</b>	<b>14825-297</b>
3	132.55	310.35	221.45	<b>14820-375</b>	<b>14825-375</b>
3	132.55	399.25	221.45	<b>14820-395</b>	<b>14825-395</b>
3	132.55	399.25	310.35	<b>14820-397</b>	<b>14825-397</b>

19" cases					
Height	Width	Depth	19" case plain	19" case perforated	
					
U	mm	mm	mm	Part no.	Part no.
1	43.65	443.70	221.45	<b>14821-105</b>	<b>14826-105</b>
1	43.65	443.70	310.35	<b>14821-107</b>	<b>14826-107</b>
2	88.10	443.70	221.45	<b>14821-205</b>	<b>14826-205</b>
2	88.10	443.70	310.35	<b>14821-207</b>	<b>14826-207</b>
3	132.55	443.70	221.45	<b>14821-305</b>	<b>14826-305</b>
3	132.55	443.70	310.35	<b>14821-307</b>	<b>14826-307</b>

### Accessories

Fan mount with fans, 80 mm height	Page 5.124	Stacking aid	Page 5.130
Clip for horizontal rail mounting	Page 5.129	Rubber feet	Page 5.130
Wall or Desktop mounting bracket	Page 5.129	Plastic feet	Page 5.131
Plastic tip-up feet	Page 5.130	Assembly tool	Page 5.131

# Small Form Factor Cases – Interscale

## INTERSCALEFOR EMBEDDED NUC



02615019

- Perforated side panels for passive cooling (convection)
- Compliant with the SDT.03 embeddedNUC standard <http://www.sget.org/standards.html>
- Modular case consisting of 3 easy to assemble parts; body, top cover and front panel
- Rigid construction requires only two screws
- Board mounting studs installed
- Integrated EMC protection
- Color RAL 7016
- Max. heat dissipation without fan about 8 Watt
- Cutouts specific for IES (<http://en.ies.de/>) MB95 embedded NUC board
- Other dimensions, cutout shapes or locations and screen printing available



### DELIVERY INCLUDES (assembled)

Item	Qty	Description
1	1	Base with 2 side panels (perforated) and rear panel, Al, 1 mm, RAL 7016 (anthracite gray)
2	1	Top cover, Al, 1 mm, RAL 7016
3	1	Front panel, Al, 1 mm, RAL 7016
4	4	Pre-installed studs with M2.5 Torx T8 screws for board mounting
5	1	User manual

### ORDER INFORMATION

Height mm	Width mm	Depth mm	Part no.
34.00	112.00	106.50	14820-701

#### Accessories

Horizontal rail mounting bracket	<b>Page 5.129</b>
Wall or Desktop mounting bracket	<b>Page 5.129</b>
Rubber feet	<b>Page 5.130</b>
Assembly tool	<b>Page 5.131</b>
Screwdriver	<b>Page 5.131</b>

### NOTE

- Only the listed Interscale accessories are compatible

# Small Form Factor Cases – Interscale

## FAN MOUNT WITH FANS, 80 MM HEIGHT



1 fan

02617001

2 fans

02617002

- Fan mount for installation in the Interscale

### DELIVERY INCLUDES (assembled)

Item	Qty.	Description
1a	1	Fan mount (1 fan), height 83 mm, width 83 mm
1b	1	Fan mount (2 fans), height 83 mm, width 165 mm
2a	1	Fan, 80 mm height, 80 mm width, 25.4 mm depth
2b	2	Fan, 80 mm height, 80 mm width, 25.4 mm depth
3	1	Mounting material 4 x M3x6 countersunk screw
4	1	Fan attachment (with cord)

### ORDER INFORMATION

Description	Qty/PU piece	Qty	Part no.
1 fan	1	PU 1 kit	<b>24830-101</b>
2 fans	1	PU 1 kit	<b>24830-102</b>

### TECHNICAL DATA of one fan

Voltage [VDC]	12
Dimensions H x W x D (mm)	80 x 80 x 25.4
Air capacity (free blowing) [m <sup>3</sup> /h]	109.44
Noise level [dB (A)]	44.62
Max. stat. pressure [Pa]	95.41
Max. ambient temperatures [°C]	70

# Small Form Factor Cases – Interscale

## INTERSCALE FOR EMBEDDED NUC, CONDUCTION COOLED



Application: Case with connectors

02615021

- Integrated heat sink on top cover with 5 mm heat fins
- Compliant with the SDT.03 embeddedNUC standard <http://www.sget.org/standards.html>
- Modular case consisting of 3 easy to assemble parts; body, top cover and front panel
- Rigid construction requires only two screws
- Board mounting studs installed
- Integrated EMC protection
- Color RAL 7016
- Cutouts specific for IES (<http://en.ies.de/>) MB95 embedded NUC board
- Other dimensions, cutout shapes or locations, and screen printing available



### DELIVERY INCLUDES (assembled)

Item	Qty	Description
1	1	Base with 2 side panels and rear panel, Al, 1 mm, RAL 7016 (anthracite gray)
2	1	Top cover with integrated heat sink, Al, 1 mm, RAL 7016
3	1	Front panel, Al, 1 mm, RAL 7016
4	4	Pre-installed M2.5 studs with Torx T8 screws for board mounting
5	1	User manual

### ORDER INFORMATION

Height mm	Width mm	Depth mm	Part no.
43.65	112.00	106.50	14830-002

### Accessories

Flexible Heat Conductor (FHC), 20 mm	<b>Page 5.127</b>
Aesthetic Design Elements	<b>Page 5.127</b>
Rubber feet	<b>Page 5.130</b>
Assembly tool	<b>Page 5.131</b>
Screwdriver	<b>Page 5.131</b>

### NOTE

- Only the listed Interscale accessories are compatible



Application: Case with connectors

02615009

# Small Form Factor Cases – Interscale

## INTERSCALE FOR MINI-ITX, CONDUCTION COOLED



Application: Case with connectors

02615011



Application: Case with connectors

02615010

- Integrated heat sink on top cover with 10 mm or 20 mm heat fins
- Modular case consisting of 3 easy to assemble parts; body, top cover and front panel
- Rigid construction requires only four screws
- Board mounting studs installed
- Integrated EMC protection
- Color RAL 7016
- Cutout for Mini ITX I/O panel, power connector (Phoenix Contact, 0710028) and power switch (Schurter, MCS 18 Front)
- Other dimensions, cutout shapes or locations, and screen printing available

### DELIVERY INCLUDES (assembled)

Item	Qty	Description
1	1	Base with 2 side panels and rear panel, Al, 1 mm, RAL 7016 (anthracite gray)
2	1	Top cover with integrated heat sink, Al, 1 mm, RAL 7016
3	1	Front panel, Al, 1 mm, RAL 7016
4	4	Pre-installed M2.5 studs with Torx T8 screws for board mounting
5	1	User manual

### ORDER INFORMATION

Height mm	Width mm	Depth mm	With 10 mm fins Part no.	With 20 mm fins Part no.
94.00	184.00	189.00	14830-005	<b>14830-006</b>

### Accessories

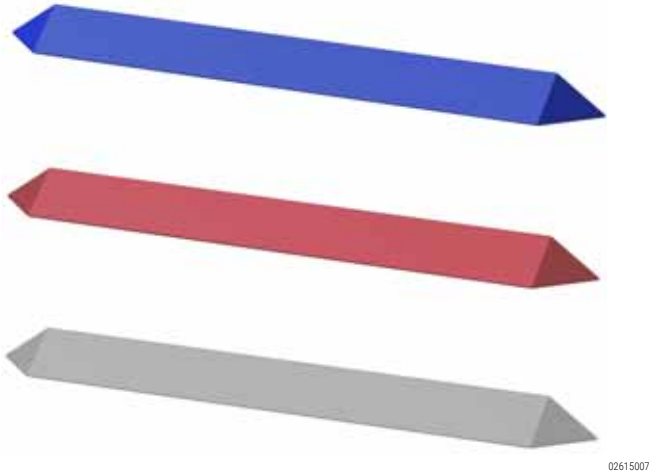
Flexible Heat Conductor (FHC), 70 mm	<b>Page 5.128</b>
Aesthetic Design Elements	<b>Page 5.127</b>
Horizontal rail mounting bracket	<b>Page 5.129</b>
Wall or Desktop mounting bracket	<b>Page 5.129</b>
Plastic tip-up feet	<b>Page 5.130</b>
Rubber feet	<b>Page 5.130</b>
Assembly tool	<b>Page 5.131</b>
Screwdriver	<b>Page 5.131</b>

### NOTE

- Only the listed Interscale accessories are compatible

# Small Form Factor Cases – Interscale

## AESTHETIC DESIGN ELEMENTS FOR CONDUCTION COOLED



02615007

- Designs created to compliment the various heat fin heights
- Compatible with all Interscale C enclosures

### DELIVERY INCLUDES

Item	Qty	Description
1	2	Aesthetic design element, Al

### ORDER INFORMATION

	For case width mm	Colour, finish	Heat fin height		
			5 mm	10 mm	20 mm
			Part no.	Part no.	Part no.
For embedded NUC case	112	Blue (RAL 5010)	24830-010	-	-
	112	Red (RAL 3027)	24830-011	-	-
	112	Silver (RAL 9006)	24830-012	-	-
For Mini-ITX case	184	Blue (RAL 5010)	-	24830-013	24830-016
	184	Red (RAL 3027)	-	24830-014	24830-017
	184	Silver (RAL 9006)	-	24830-015	24830-018

## FLEXIBLE HEAT CONDUCTOR (FHC), 20 MM



02615016

- Patent pending conduction cooling solution for small form factor electronics
- Conductor block expands/contracts vertically to compensate for tolerance stack up and optimizes surface contact and pressure along the thermal path; eliminates the need for a thermal gap pad
- Provides industry leading conduction cooling performance, 10 % improvement over current conduction cooling methods
- Designed for Intel, AMD, Via, Freescale, NVidia and Texas Instrument processors that employ a BGA socket
- Secured to PCB with thermally conductive adhesive tape
- Compatible with Interscale C enclosures

### DELIVERY INCLUDES (assembled)

Item	Qty	Description
1	1	Flexible heat conductor, assembled; thermal grease included
2	1	Adhesive tape, thermally conductive

### ORDER INFORMATION

Height	Width mm	Depth mm	Part no.
19.75 ± 1.5 mm	22	22	24830-005

# Small Form Factor Cases – Interscale

## FLEXIBLE HEAT CONDUCTOR (FHC), 70 MM



02615017

- Patent pending conduction cooling solution for small form factor electronics
- Conductor block expands/contracts vertically to compensate for tolerance stack up, and optimizes surface contact and pressure along the thermal path; eliminates the need for a thermal gap pad
- Provides industry leading conduction cooling performance, 70 % improvement over current conduction cooling methods
- Designed for ATX/ITX/Mini ITX & COM using Intel core-i processors and AMD processors with the following sockets: Intel: LGA775, LGA1150, LGA1155, LGA1156, LGA1366, LGA2011  
AMD: AM2, AM2(+), AM3, AM3(+), FM1, FM2, FM2(+)
- Secured to PCB with mounting brackets, sold separately
- Compatible with Interscale C enclosures

Item	Qty	Description
1	1	Flexible heat conductor, assembled; thermal grease included
2	1	Frame, Al

### ORDER INFORMATION

Height	Width mm	Depth mm	Part no.
68.50 ± 2.5 mm	50	50	24830-001

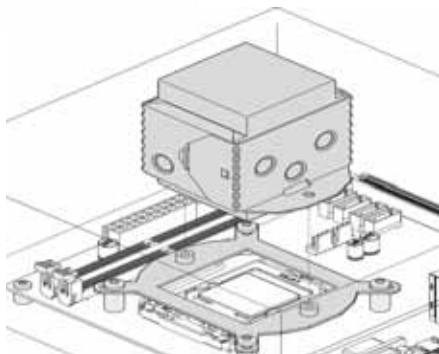
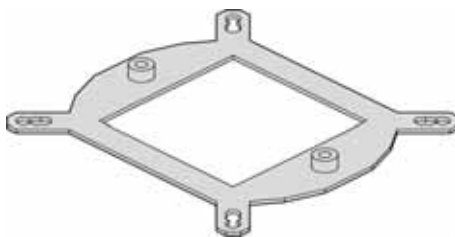
### Accessories

Intel mounting brackets for 70 mm FHC	24830-002
AMD mounting brackets for 70 mm FHC	24830-003

### NOTE

- Please order the mounting bracket (Intel or AMD, listed under accessories) to assemble the FHC to the board

## MOUNTING BRACKETS FOR 70 MM FHC



02615053

02615054

Bracket for Intel

Application: Intel mounting bracket

- Designed to secure the 70 mm Flexible Heat Conductor to PCB
- Utilizes keep out zones to not interfere with other board components
- Designed for ATX/ITX/Mini ITX & COM using Intel core-i processors and AMD processors with the following sockets: Intel: LGA775, LGA1150, LGA1155, LGA1156, LGA1366, LGA2011  
AMD: AM2, AM2(+), AM3, AM3(+), FM1, FM2, FM2(+)

### DELIVERY INCLUDES (assembled)

Item	Qty	Description
1	1	Mounting bracket with associated hardware

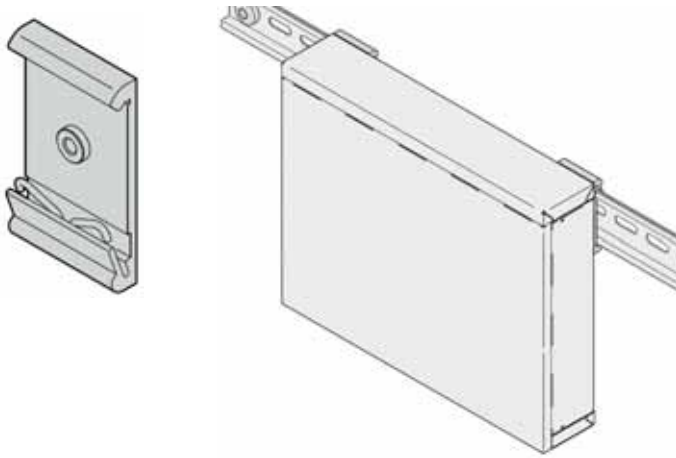
### ORDER INFORMATION

Description	Part no.
Intel mounting brackets for 70 mm FHC	24830-002
AMD mounting brackets for 70 mm FHC	24830-003



# Small Form Factor Cases – Interscale

## CLIP FOR HORIZONTAL RAIL MOUNTING



02613069 Example: Clip for horizontal rail mounted on case  
02613070

- The clip can be used to fix the case to a horizontal rail
- The clip is bolted to the case instead of the feet and can then be fitted onto the rail

### DELIVERY INCLUDES

Item	Qty	Description
1	2	Clip, Al profile, clear anodized, width 30 mm, 52 mm, snap mounting for 35 mm DIN rails EN 50022; M4 self-clinching nut
2	2	Screw, T20, M4 x 6
3	1	User manual

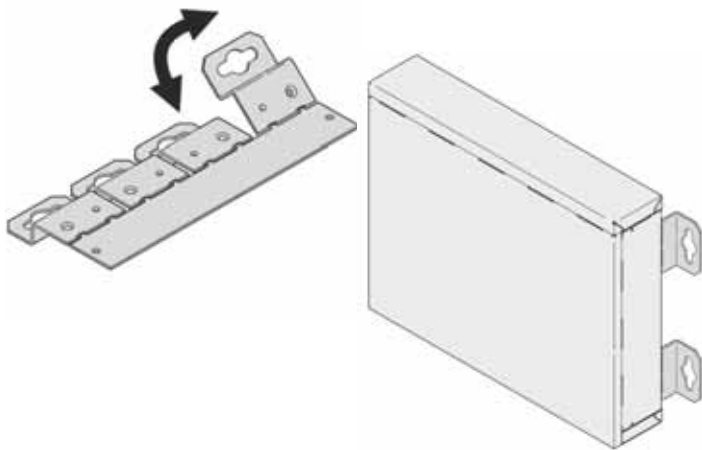
### ORDER INFORMATION

Description	Qty/PU piece	Part no.
Clip for horizontal rail mounting	2	<b>24820-002</b>

### NOTE

- Not compatible with embedded NUC cases or Interscale 19" cases

## WALL OR DESKTOP MOUNTING BRACKET



02615052 Example: Mounting bracket mounted on the case  
02615051

- Bracket for wall or desktop mounting
- Provides 14 mm clearance from mounting surface for cable management
- Able to assemble / disassemble case while mounted

### DELIVERY INCLUDES

Item	Qty	Description
1	4	Mounting bracket, St, 1.5 mm, finish AlZn

### ORDER INFORMATION

Description	Qty/PU piece	Part no.
Wall or Desktop mounting bracket	4	<b>24820-005</b>

### NOTE

- Not compatible with embedded NUC cases or Interscale 19" cases

# Small Form Factor Cases – Interscale

## PLASTIC TIP-UP FEET

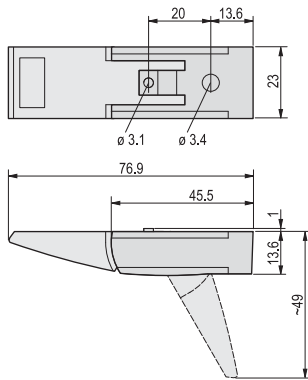


01810004



Application example

02613008



02906050

- Can be used instead of standard feet
- Carrying capacity: 25 kg per foot
- Mounting holes in bottom of casing

### DELIVERY INCLUDES (kit)

Item	Qty	Description
1	4	Foot, PA, UL 94 V-0
2	4	Anti-slip protection, TPE
3	2	Tip-up device, PA, UL 94 V-0
4	1	Assembly kit

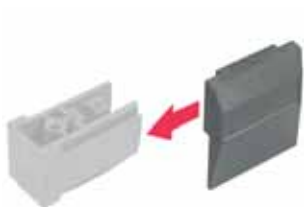
### ORDER INFORMATION

Description	Qty/PU piece	Part no.
Tip-up feet, anthracite, similar to RAL 7016	4	<b>20603-002</b>

### NOTE

- Not compatible with embedded NUC cases or Interscale 19" cases

## STACKING AID



01810005



Application example Interscale

02613020

- Stacking aid is clipped onto tip-up feet (please order tip-up feet separately)

### DELIVERY INCLUDES (kit)

Item	Qty	Description
1	4	Stacking aid, PA ,UL 94 V-0

### ORDER INFORMATION

Description	Qty/PU piece	Part no.
Stacking aid, anthracite, similar to RAL 7016	4	<b>20603-003</b>

### Accessories

Plastic tip-up feet anthracite, similar to RAL 7016, 4 pieces	<b>20603-002</b>
---	------------------

### NOTE

- A plastic tip-up feet are required for mounting, please order separately
- Not compatible with Interscale 19" cases, Interscale for embedded NUC cases or Interscale conduction cooled cases

## RUBBER FEET



02615020

- Toolless installation; secures via adhesive
- Compatible with all Interscale cases

### DELIVERY INCLUDES (assembled)

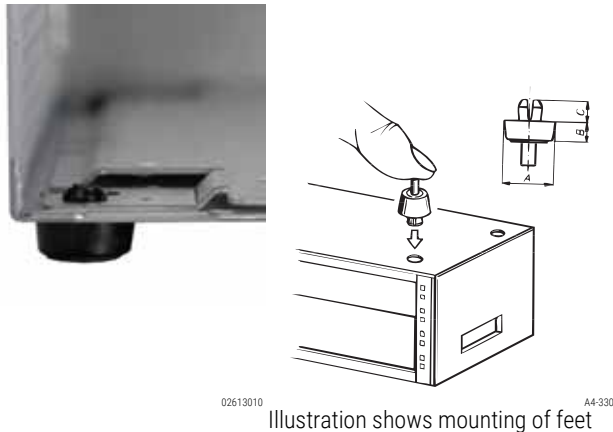
Item	Qty	Description
1	4	Rubber feet, height 2.2 mm, Ø 7.9 mm

### ORDER INFORMATION

Description	Part no.
Rubber feet	21102-025

# Small Form Factor Cases – Interscale

## PLASTIC FEET



02613010

A4-330

Illustration shows mounting of feet

Dimensions			Hole diameter
A	B	C	
mm	mm	mm	mm
16	7.2	4	7

- Plastic feet with rubberized base
- Toolless installation; fixed by pressing in the expanding pin

### DELIVERY INCLUDES

Item	Qty	Description
1	1	Plastic foot, PC, UL 94 V-0, black, with anti-slip protection

### ORDER INFORMATION

Description	Qty	Part no.
Plastic feet	SPQ 50 <sup>1)</sup>	<b>60224-009</b>
Plastic feet	PU 4 <sup>2)</sup>	<b>24820-004</b>

1) SPQ (standard pack quantity): Part number includes 1 piece, but delivery is exclusively made in standard pack quantity (SPQ); please order at least the SPQ quantity or a multiple

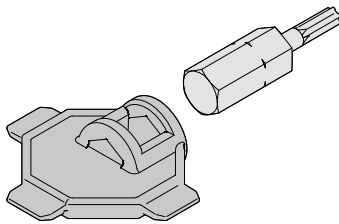
2) PU - Part no. includes one packing unit (PU); delivery is exclusively made in PU

2) PU - Part no. includes one packing unit (PU); delivery is exclusively made in PU

### NOTE

- Not compatible with Interscale 19" cases, Interscale for embedded NUC cases or Interscale conduction cooled cases

## ASSEMBLY TOOL



02613064

- Plastic tool with bit can be used for bolting together and opening the case
- Compatible with all Interscale M and C enclosures

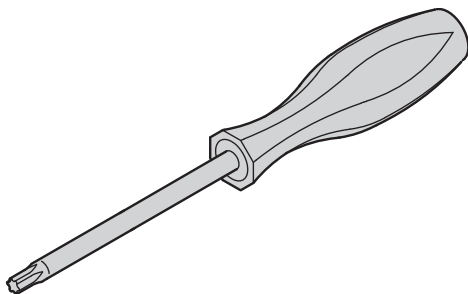
### DELIVERY INCLUDES

Item	Qty	Description
1	1	Assembly tool (plastic)
2	1	Bit, Torx, T10

### ORDER INFORMATION

Description	Part no.
Assembly tool	<b>24820-001</b>

## SCREWDRIVER



AZA45925

- Used for securing PCBs to studs
- Compatible with all Interscale M and Interscale C enclosures

### ORDER INFORMATION

Description	Part no.
Torx screwdriver, M2.5, T 8 Torx	<b>64560-026</b>

## **North America**

**Warwick, RI, USA**

Tel +1.800.525.4682

**San Diego, CA, USA**

Tel +1.800.854.7086

## **Europe, Middle East & India**

**Straubenhardt, Germany**

Tel +49 7082 794 0

**Betschdorf, France**

Tel +33 3 88 90 64 90

**Warsaw, Poland**

Tel +48 22 209 98 35

**Hemel Hempstead,**

**Great Britain**

Tel +44 1442 24 04 71

**Lainate, Italy**

Tel +39 02 932 714 1

**Dubai, United Arab Emirates**

Tel +971 4 37 81 700

**Bangalore, India**

Tel +91 80 67152000

**Istanbul, Turkey**

Tel +90 216 250 7374

## **Asia Pacific**

**Shanghai, China**

Tel +86 21 2412 6943

**Singapore**

Tel +65 6768 5800

**Shin-Yokohama, Japan**

Tel +81 45 476 0271

Our powerful portfolio of brands:

**CADDY ERICO HOFFMAN RAYCHEM SCHROFF TRACER**



[nVent.com/SCHROFF](https://www.nVent.com/SCHROFF)