

# IDS31-215W

Fully configurable, high-reliability, rugged display solution with choice of brightness, touch and video input 21.5" Industrial Open Frame Monitor

NEW



## Features

- 21.5" LCD wide screen panel with LED backlight for long service life
- Wide operating temperature 0 ~ +50° C for broad range of applications
- High brightness 250 cd/m<sup>2</sup>
- Mechanical formats : open frame with VESA standard mounting (Optional : closed frame)
- Configurable Options :
  - Brightness 250 cd/m<sup>2</sup>
  - Viewing angle 89°/89°/89°/89°
  - Mechanical housing
  - VGA,DVI (Optional : HDMI or DisplayPort)
- Touch Options (USB and/or RS232 input) :
  - Projected Capacitive Touch (Optional : 5-Wire Resistive or SAW or Infra-Red Touch)



## Introduction

The IDS31-215W is a fully configurable, flexible display solution, able to be specified in a variety of screen brightness's, touch technologies and video inputs including displayport. The product can be specified in a number of compact mechanical constructions meeting all mounting demands, delivering complete flexibility in product design. All products have been designed to meet the demands of the industrial market and have leading in service performance characteristics guaranteed by 100% product burn-in and the service back up of the global Advantech corporation.

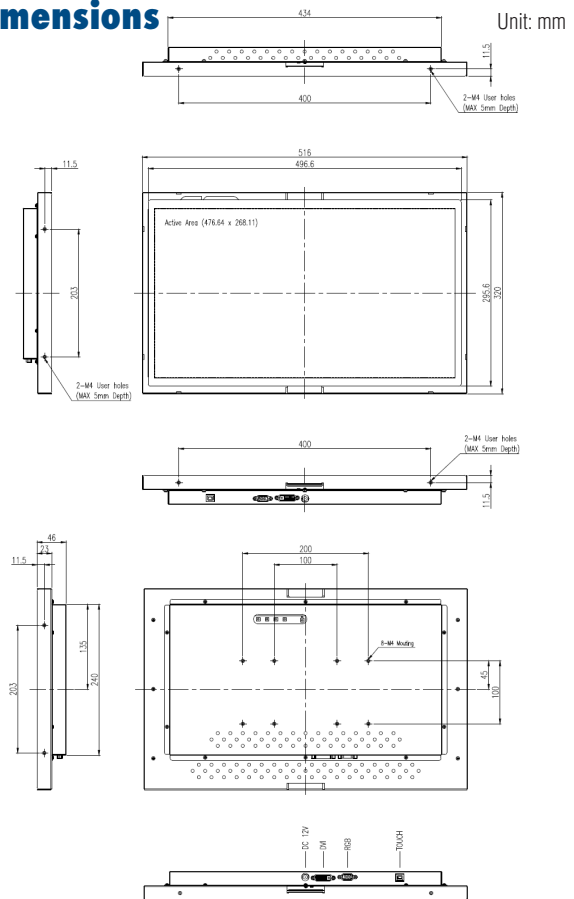
## Typical Applications

- Casino and gaming
- Industrial controls
- Kiosks and point of sale
- Remote signage and public information
- Transportation

## Specifications

| Display Features   | Spec                  | Notes  |
|--------------------|-----------------------|--|
| Model              | IDS31-215W            |  |
| Backlight          | LED + MVA             | Light source   |
| Resolution         | 1920 x 1080           | Native resolution. Other resolutions supported by A/D card scaling |
| Brightness         | 250 cd/m <sup>2</sup> | Measured at typical operating voltage                              |
| Viewing Angle      | 89°/89°/89°/89°       | Left/Right/Up/Down   |
| Surface Treatment  | 7H                    | MoHS/Anti glare  |
| Contrast Ratio     | 5000:1                | In laboratory measurement conditions                               |
| Max Colors         | 16.2m                 | 6/8 bit per colour   |
| Response Time      | 16 ms                 | Typical  |
| Backlight Lifetime | 30,000 hours          | Typ. time to half brightness in room temperature operation         |

## Dimensions



## Touch Screen Options

| Type<br>21.5" Wide<br>Screen       | Cover glass (CG)                    | Analogue<br>Resistive (AR)           | Surface Acoustic<br>Wave (SAW)                     | Surface<br>Capacitive<br>(SCAP) | Projected<br>Capacitive (PCT)  | Infra-red (IR)                                | Multi-touch  |
|------------------------------------|-------------------------------------|--------------------------------------|--|---------------------------------|--|---|--|
|                                    | <input checked="" type="checkbox"/> | <input checked="" type="checkbox"/>  | <input checked="" type="checkbox"/>                | <input type="checkbox"/>        | <input checked="" type="checkbox"/>  | <input checked="" type="checkbox"/>           | <input checked="" type="checkbox"/>                    |
| Construction                       | 3.2mm heat strengthened glass       | ITO film to ITO coated glass         | 4mm pure glass sensor                              | Hard coat ITO pure glass        | ITO film/film with Chemical strengthened glass   | 3mm tempered glass with infrared sensor       | Either PCT or IR                                       |
| Surface Durability (no of touches) | 7H                                  | 3H                                   | 7H   | <4H                             | <4H  | 7H  | -  |
| IP Rating (potential)              | -                                   | > 1m                                 | >5m  | >1m                             | >1m  | >1m   | -  |
| IP Rating (potential)              | IP65                                | IP65                                 | IP65   | IP65                            | IP65   | IP65  | IP65   |
| Touches                            | 0                                   | 1                                    | 1  | 1                               | 1/2/10/30  | 1040g/63.5mm                                  | -  |
| Transparency                       | 93±2%                               | 81%                                  | 90±5%  | 91±1.5%                         | 82%  | -   | -  |
| Drop Ball                          | 500g / 50cm                         | 227g/38Φ steel ball from 80cm height | 1040g / 90cm                                       | UL60950 (Tough touch only)      | 227g/38Φ steel ball from 80cm height   | 1040g/63.5mm ball dropped from height of 1.0m | 227g/38Φ steel ball from 80cm height                   |
| Added thickness (typ.)             | 4/5/6/10/12mm                       | 1.8mm                                | 6mm  | 8mm                             | 3/4/5/6m   | See drawing                                   | See drawing  |
| Custom Options                     | AR coating<br>Optical bonding       | Optical bonding                      | Dustproof,<br>Waterproof, Antiglare,<br>Safe touch | Optical bonding,<br>Tough touch | AR coating,<br>Glass painting,<br>Customer logo,<br>10point touch<br>(21.5",23",24"),<br>Optical bonding | 2point, AR coating,<br>Optical bonding        | Extended cover glass<br>Back printing<br>Whole cutting |

## System/Electrical Features

| System / Electrical             | Spec  | Unit / Notes  |
|---------------------------------|---|---|
| Power Consumption               | 28.0W   | Typical consumption at standard brightness and temperature  |
| Power Supply                    | 12V / 3.5A  | External DC power brick (included)<br>Input voltage-DC +12V +/-5% @ 2.5A max<br>Power connector: DC jack  |
| Video Input (available options) | <input type="checkbox"/> VGA<br><input type="checkbox"/> DVI<br><input type="checkbox"/> HDMI<br><input type="checkbox"/> COMPOSITE<br><input type="checkbox"/> USB<br><input type="checkbox"/> DisplayPort | Native resolution. Other resolutions supported by A/D card scaling  |
| On-screen Display (OSD)         | 5- keys<br>Menu Functions   | Menu / up / down / enter / Power<br>ON-OFF<br>Brightness, Contrast, Screen Setting,<br>Colour Temp, Language OSD<br>Settings, VGA/DVI, Recall, Auto<br>Adjust |
| Custom BIOS options             |   |   |

## Mechanical Features

| Mechanical             | Spec  | Notes  |
|------------------------|---|--|
| Overall size           | 516 x 320 x 46 mm   | [open frame]<br>[closed frame]<br>[proflat]        |
| Active Area Size       | 476.64 (H) x 268.11 (V) mm  |  |
| Case / Bezel color     | Zintec / Black power coat   | Custom colour and finishes available               |
| Weight                 | 7.0kg   | Typ .inc touch                                     |
| VESA Mounting Options: | 75 x 75<br><input type="checkbox"/> 100 x 100<br><input type="checkbox"/> 100 x 200<br>Brackets for panel mount | For User defined mounting requirements contact rep |

## Environmental Features

| Environmental    | Spec   |
|------------------|--|
| Operating Temp   | 0 to +50° C  |
| Storage Temp     | -20 to +60° C                                      |
| Humidity         | 90% RH   |
| Vibration        | 5-500Hz, 0.026G/Hz, 2.16 Grms, X,Y,Z. 1hr per axis |
| Agency Approvals | CE, FCC, RoHS                                      |

## Ordering Information

| Model Name         | Description  |
|--------------------|--|
| IDS31-215WP25DVA1E | 21.5" widescreen, Industrial open-frame monitor with PCT Multi-touch touchscreen, 250CD/m <sup>2</sup> brightness, VGA&DVI input |

All Advantech monitors are configurable to order. Use [www.advantech.com](http://www.advantech.com) for guidance on versions, pricing and deliver for all models

## Accessory Package

- Power supply (110V-240V), UK/EU/US power cord, VGA cable, DVI cable, USB cable (USB for touch option)