

IDS-3115

15" XGA Industrial Open Frame Monitor



Features

- 15" XGA LCD panel with LED backlight for 20% power saving and environmental protection
- Optional brightness 300~1200 cd/m² for different application environments
- -20° ~ +60° C wide range operating temperature
- 5-wire resistive and P-cap touchscreen solution (optional)
- Combo touch interface: RS-232 (resistive only) and USB
- Dual signal interface with VGA & DVI
- Integrated bracket for easy installation
- Versatile mounting methods for rear mounting and VESA mounting
- Anti-Reflective treatment (optional)
- Optical bonding (optional)

Introduction

The Advantech IDS-3115 Embedded Open Frame Monitor series offers flexible options for LCD, touchscreen, signal interface and chassis mounting. The series supports rear and VESA mounting. The integrated brackets bring the benefits of easy installation and provide flexibility for different applications.

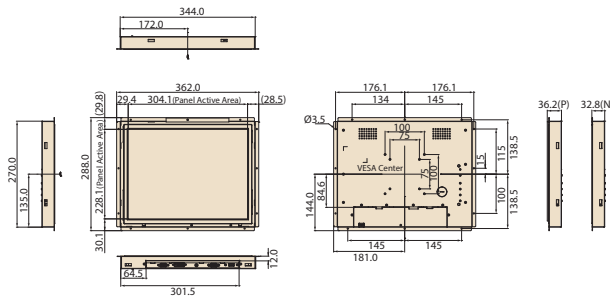
Specifications

	Model	IDS-3115 (High Brightness)	IDS-3115	IDS-3115E	IDS-3115P
Display	Size	15" LED panel	15" LED panel	15" LED panel	15" LED panel
	Resolution	1024 x 768 (XGA)	1024 x 768 (XGA)	1024 x 768 (XGA)	1024 x 768 (XGA)
	Viewing Angle	80°/80° (H), 70°/70° (V)	80°/80° (H), 70°/70° (V)	80°/80° (H), 70°/70° (V)	88°/88° (H), 88°/88° (V)
	Brightness	1200 (cd/m ²)	400 (cd/m ²)	300 (cd/m ²)	500 (cd/m ²)
	Color Support	16.2M / 262K colors	16.2M / 262K colors	16.2M / 262K colors	16.7M/262K
	Contrast Ratio	700:1	700:1	2000:1	2500:1
	Response Time	25 [msec]	25 [msec]	16 [msec]	16 [msec]
	Backlight Life (hrs)	50,000 hrs	50,000 hrs	50,000 hrs	50,000 hrs
Touchscreen	Touchscreen Type	Projected Capacitive Touchscreen	5-Wire Resistive Touchscreen	5-Wire Resistive Touchscreen	Projected Capacitive Touchscreen
	Surface Hardness	Mohs 5	3H	3H	Mohs 5
	Durability	50 million touches	10 million touches	10 million touches	50 million touches
	Transparency	89±3%	80%±3%	80%±3%	89±3%
Environment	Operating Temperature	-20 ~ 60° C (-4 ~ 140° F)	-20 ~ 60° C (-4 ~ 140° F)	0~ 45° C (32 ~ 113° F)	-20 ~ 60° C (-4 ~ 140° F)
	Storage Temperature	-30 ~ 70° C (-22 ~ 158° F)	-30 ~ 70° C (-22 ~ 158° F)	-20 ~ 60° C (-4 ~ 140° F)	-30 ~ 70° C (-22 ~ 158° F)
	Humidity	5 ~ 95% @ 40° C, non-condensing			
	Vibration	5-500 Hz, 0.026G ² /Hz, 2.16Grms, X, Y, Z 1 hour per axis			
System	I/O	VGA x 1; DVI-D x 1; 12 V _{DC} Jack x 1; USB x 1 (USB is reserved for the connection to enable touch usage only)	VGA x 1; DVI-D x 1; 12 V _{DC} Jack x 1; USB x1; RS-232 x 1 (USB & RS-232 are reserved for the connection to enable touch usage only)	VGA x 1; 12 V _{DC} Jack x 1; USB x1; RS-232 x 1 (USB & RS-232 are reserved for the connection to enable touch usage only)	VGA x 1; DVI-D x 1; 12 V _{DC} Jack x 1; USB x 1 (USB is reserved for the connection to enable touch usage only)
	OSD	Keys: Menu, Up, Down, Auto Adjust, Monitor Power on/off Menu Functions: Brightness, Contrast, Screen Settings, Color Temp, Language OSD settings, VGA/DVI, Recall, Auto Adjust	Keys: Menu, Up, Down, Auto Adjust, Monitor Power on/off Menu Functions: Brightness, Contrast, Screen Settings, Color Temp, Language OSD Settings, VGA/ DVI , Recall , Auto Adjust	Keys: Menu, Up, Down, Auto Adjust, Monitor Power on/off Menu Functions: Brightness, Contrast, Color Adjust, Color Temp, Auto Color, and Language	Keys: Menu, Up, Down, Auto Adjust, Monitor Power on/off Menu Functions: Brightness, Contrast, Screen Settings, Color Temp, Language OSD settings, VGA/DVI, Recall, Auto Adjust
	Power	60 W power adapter, with AC 100 ~ 240 V input and DC +12 V @ 5 A output			
	EMC Compliance	CE/FCC/CCC			

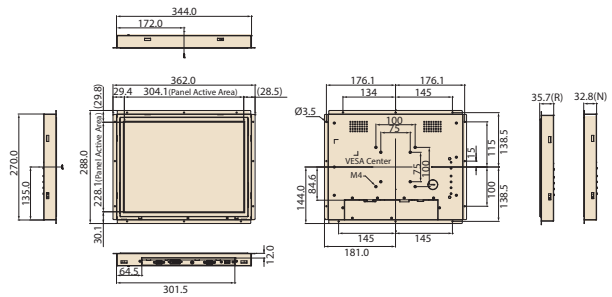
Dimensions

Unit: mm

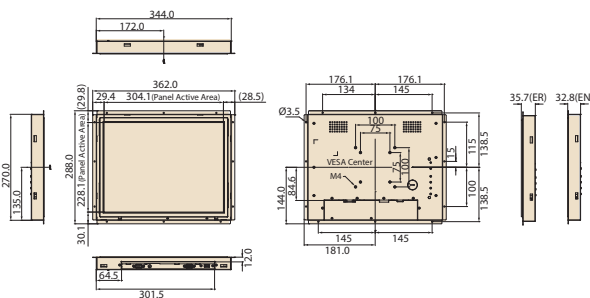
IDS-3115 High Brightness series



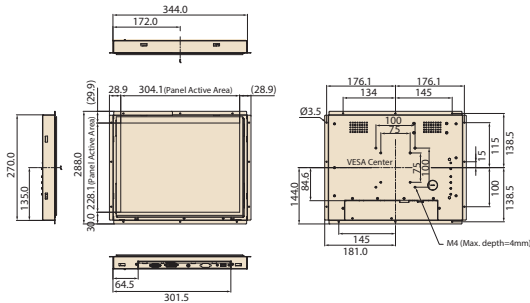
IDS-3115 series



IDS-3115E series



IDS-3115P



Packing List

Part Number	Description
1700002215	1 x M cable USB-A(M)/USB-A(M) 180 cm
1700021332-11	1 x VGA cable 15P(M) 180 cm
1962055040	8 x clammer
1935042520	8 x clammer screw M4_25L
1992610005	1 x cable clamp
1933030500	1 x cable clamp screw
1992602010	1 x cable tie

* USB Cable is only included in IDS-3115P, IDS-3115R and IDS-3115ER series.
Note: Package contents are subject to change without prior notice

Optional Items

Part Number	Description
1702002600	Power cord 3P (USA)
1700000596	Power cord 3P (China)
1700018705	Power cord 3P (EU)
96PSA-A60W12R1-1	Adapter AC100-240V 60W +12V/5A
1700000243-11	M cable DVI 19P(M)/DVI 19P(M) 191cm
1700091800	Cable 9P/9P 1.8M M/F (Touchscreen RS-232 cable)

Ordering Information

Model Name	Description
IDS-3115N-K2XGA1E	15" XGA 1200 cd/m ² LED Open Frame Monitor
IDS-3115P-K2XGA1E	15" XGA 1200 cd/m ² LED Open Frame Touch Monitor
IDS-3115N-40XGA1E	15" XGA 400 cd/m ² LED Open Frame Monitor
IDS-3115R-40XGA1E	15" XGA 400 cd/m ² LED Open Frame Touch Monitor
IDS-3115EN-25XGA1E	15" XGA 300 cd/m ² LED Open Frame Monitor
IDS-3115ER-25XGA1E	15" XGA 300 cd/m ² LED Open Frame Touch Monitor
IDS-3115P-50XGA1	15" XGA 500 cd/m ² LED Open Frame Touch Monitor