

ARK-6610/6620

Compact Chassis for Mini-ITX Motherboard



ARK-6610

ARK-6620

CE FCC

Features

- ARK-6610 with one front I/O expansion slot
- Various cut-outs for COM/DVI/LVDS,USB,S/C-video
- Shockproof drive bay for slim ODD and 3.5" HDD
- Bottom door to access CF card or Mini-PCle card
- Supports 180W Flex ATX power supply

Specifications

		ARK-6610	ARK-6620
Disk Drive Bay	Slim Optical Drive	1	-
	3.5" (internal)	1	1
I/O Interface	COM	5	2
	USB	2	-
	DVI/LVDS	2	1
	S/C-Video	1	1
	WLAN Antenna	1	1
Cooling	Fan	1 (9 cm / 52.5 CFM)	2 (6 cm / 27.7 CFM, each)
	Air Filter	Yes	Yes
Miscellaneous	LED Indicators	Power, HDD, temperature	Power, HDD, temperature
	Control	Power switch	Power switch
Environment	Operating	Non-operating	Non-operating
	Temperature	0 ~ 40 °C (32 ~ 104 °F)	-20 ~ 60 °C (-4 ~ 140 °F)
	Humidity	10 ~ 85%, 40 °C, non-condensing	10 ~ 95%, @ 40 °C, non-condensing
	Vibration (5 ~ 500 Hz)	1 Grms	2 G
	Shock	10 G (with 11ms duration, half sine wave)	
Physical Characteristics	Dimensions (W x H x D)	250 x 156 x 253 mm (9.8" x 6.1" x 10")	272 x 88 x 232 mm (10.7" x 3.5" x 9.1")
	Weight	4.76 kg (10.47 lb)	3.49 kg (7.68 lb)

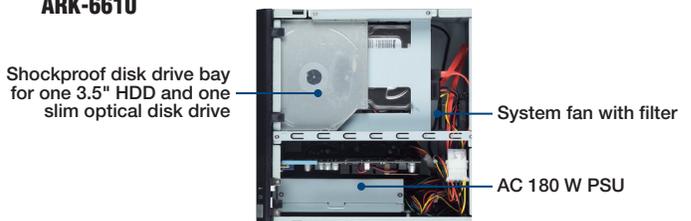
Front View

ARK-6610



Inside View

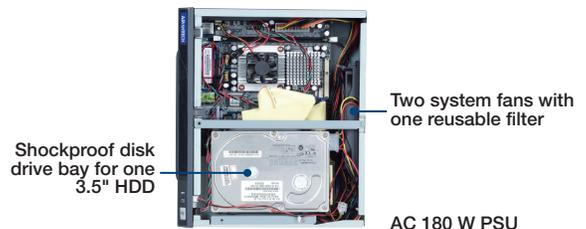
ARK-6610



ARK-6620



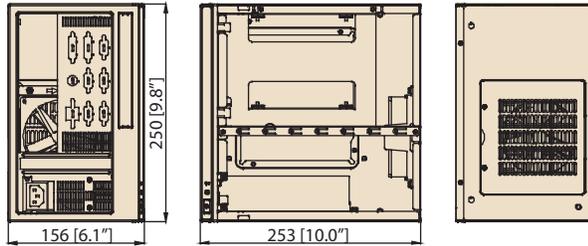
ARK-6620



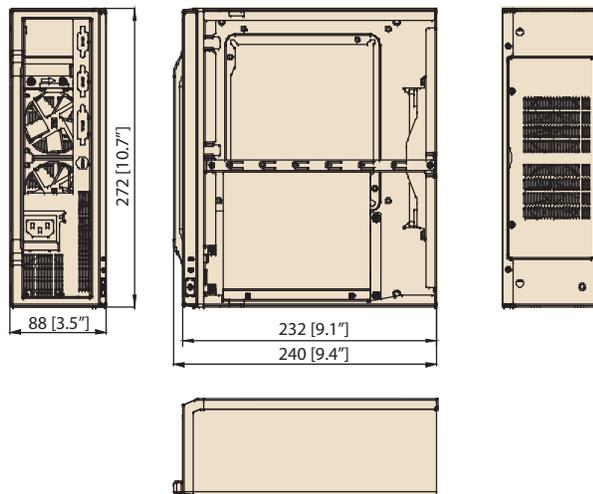
Dimensions

Unit: mm [inch]

ARK-6610

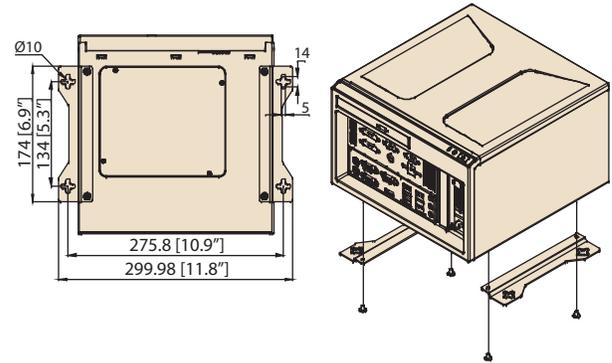


ARK-6620

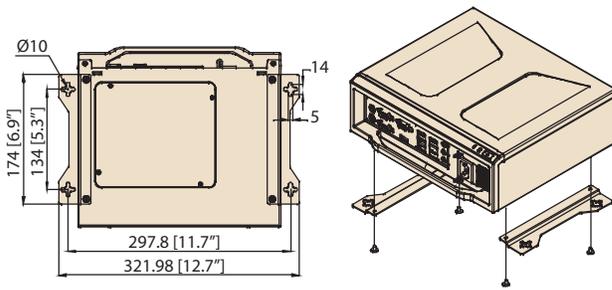


Installation

ARK-6610



ARK-6620



Chassis Ordering Information

Part Number	Power Supply	Power supply Wattage	Support Mini ITX MB type
AC power Mini ITX motherboard			
ARK-6610-18ZBE	96PS-A180WFX	180W	AC power Mini ITX MB
ARK-6620-18ZBE	96PS-A180WFX	180W	AC power Mini ITX MB
DC Power Mini ITX motherboard (AIMB-201DS / 212 / 213 / 214 / 215 / 223 / 224 / 225 / 230)			
ARK-6610-00XBE	-	-	DC power Mini ITX MB

* For ARK-6620 chassis, the only optional cooler for Intel Corei CPU is 1960053065N001, 1U blower. and TDP Max.84W.

Optional Accessories

Part Number	Description
1960053065N001	1U blower for LGA1155/1150/1151
1750002561	52.5 CFM, 92 x 92 x 25.4 mm system cooling fan (For ARK-6610)
1750006419	27.7 CFM, system cooling fan 60 x 60 x 13 mm (For ARK-6620)
1960014495N001	PSU cover for DC Motherboard configuration