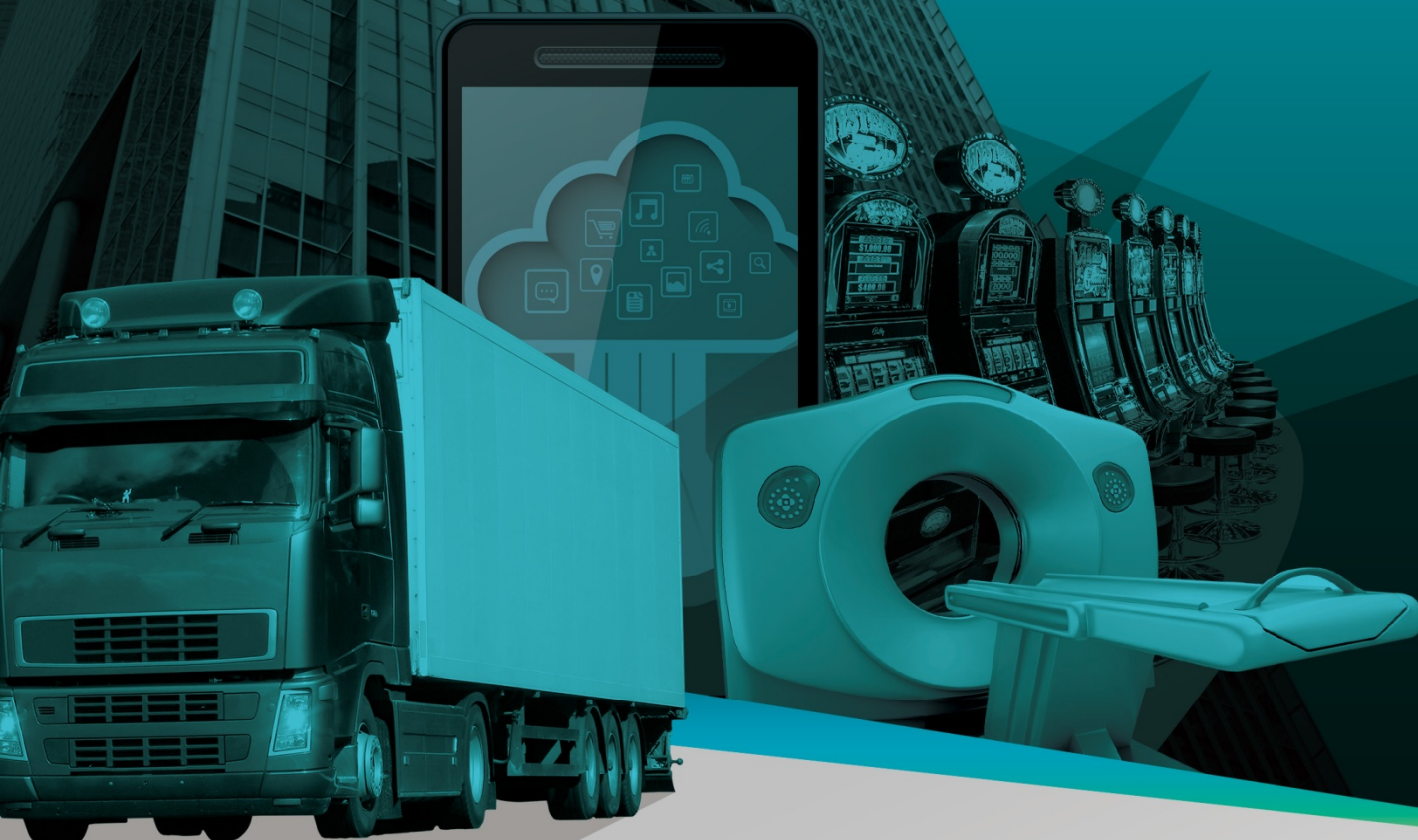


Apacer

The Most **Reliable**
Storage For Industries



ADM5S-M 44P/180D MPH



ADM5S-M 44P/180D MPH

Overview

Apacer's ATA Disk Module 5S (ADM5S) SSD delivers smooth performance and low power consumption. This device supports DMA mode up to UDMA 6 that offers advanced data transfer technology and internal memory efficiency, which effectively decreases the loading for the microprocessor. Compliant with ATA/ATAPI-8 standards, our ADM5S-M supports data transfer modes up to PIO 4, Multiword DMA 2, and Ultra DMA 6. Equipped with power Error Correction Coding (ECC) up to 72bit/1KB, the ADM5S-M can provide high data integrity. Aside from data efficiency, the ADM5S also comes with power management. The device can work at 3.3V or 5V power supply, with the output voltage automatically adjusted by the voltage regulator in the core. In addition, the built-in ECC engine can support multi-mode correction capability up to 72 bits and perform effective decoding throughput with high reliability.



Feature

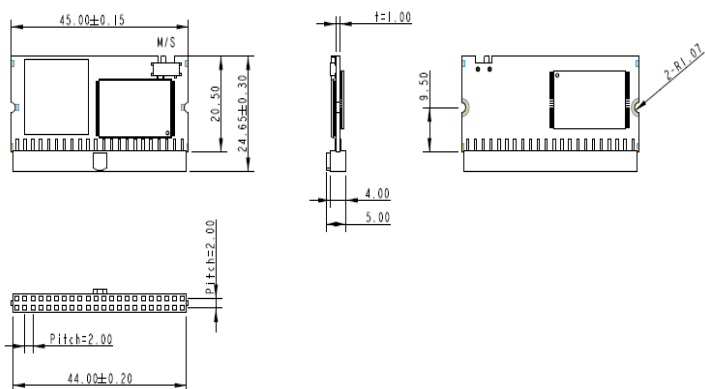
- Standard 44-pin IDE female connector
- Housing solution
- Built-in HW ECC, Quick Erase and SMART Functions
- Advanced Wear-leveling and Block Management
- Power Failure Recovery

Specifications

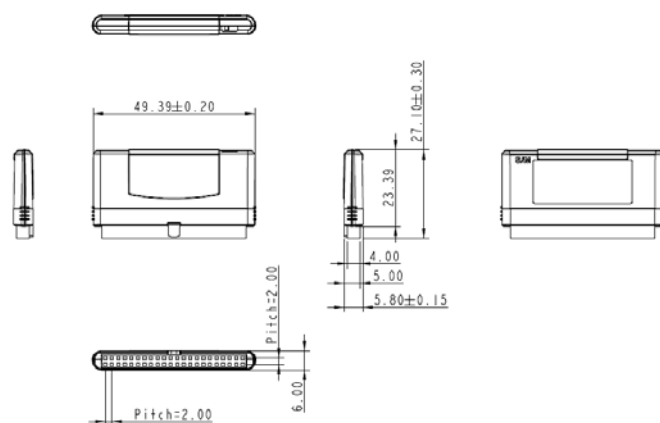
| | |
|--|--|
| Model | ADM5S-M 44P/180D MPH |
| Interface | Standard ATA/IDE |
| Connector | 44-pin female connector (2.00mm pitch) |
| Operation Mode | PIO Mode up to 4/ Multiword DMA Mode up to 2/ Ultra DMA Mode up to 6 |
| NAND Flash Type | MLC |
| Capacity | 8GB~64GB |
| Sustained Write Performance (MB/sec) | Up to 100 |
| ECC Engine | Up to 46 |
| IOPs (4K Random Write) | Built-in 72-bit per 1K bytes BCH ECC |
| Standard Operating Temperature (°C) | 0 ~ + 70 |
| Extended Operating Temperature (°C) | -40 ~ + 85 |
| Storage Temperature (°C) | -40 ~ + 100 |
| Housing | Yes |
| H/W Write Protect | Optional |
| Screw Hole | NO |
| Shock | 1500G (complied with MIL-STD810) |
| Vibration | 15G (complied with MIL-STD810) |
| Operating Voltage | 3.3 V ± 5% & 5 V ± 5% |
| Power Consumption | Active mode: 250 mA & Idle mode: 170 mA |
| Dimension (L x W x H) | 49.4 x 27.1 x 6 (mm) |
| MTBF (hours) | >1,000,000 |

Mechanical Specification

Without housing



With housing



Unit: mm

Ordering Info

| Operation Temp. | 8GB | 16GB | 32GB | 64GB |
|------------------|------------------------|------------------------|------------------------|------------------------|
| Standard Grade | AP-FM008GD2505S-4TMMH | AP-FM016GD2505S-4TMMH | AP-FM032GD2505S-4TMMH | AP-FM064GD2505S-4TMMH |
| Industrial Grade | AP-FM008GD2505S-4TMWMH | AP-FM016GD2505S-4TMWMH | AP-FM032GD2505S-4TMWMH | AP-FM064GD2505S-4TMWMH |

Global Presence

Taiwan (Headquarters)
Apacer Technology Inc.
Tel: +886-2-2267-8000
Fax: +886-2-2267-2261

Europe
Apacer Technology B.V.
Tel: +31-40-267-0000
Fax: +31-40-290-0686

U.S.A.
Apacer Memory America, Inc.
Tel: +1-408-518-8699
Fax: 1-510-249-9551

China
Apacer Electronic(Shanghai)
Co., Ltd.
Tel: +86-21-6228-9939

Japan
Apacer Technology Corp.
Tel: +81-3-5419-2668
Fax: +81-3-5419-0018

India
Apacer Technologies Pvt. Ltd.
Tel: +91-80-41529061~3
Fax: +91-80-41700215