

MIOS-5251

Intel® Atom™ E3845/E3825 & Celeron® J1900 Fanless Embedded Box PC with Multiple I/O Extension Module

NEW



Features

- Intel® Atom™ E3845/E3825 & Celeron® J1900, DDR3L-1066/1333 MHz SODIMM up to 8 GB
- Rich I/O Expansion Possibilities through modularized design
- Various extension modules for selection: multiple serial-port / GbE, CAN Bus, PoE
- Optimized thermal design to maximize heat dissipation
- Fast customization for module, I/O bracket, color and logo
- 12~24V / 12V only DC power input for choice
- Wire clip design to prevent adapter cable losing
- Supports iManager, SUSIAccess and Embedded Software APIs



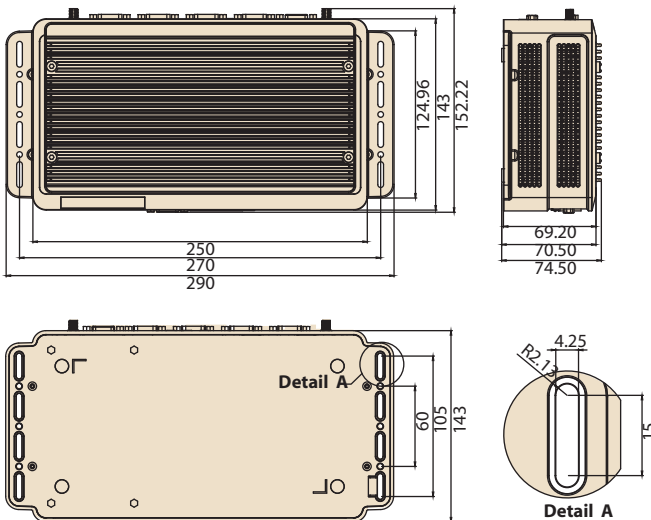
Specifications

Processor System	CPU	Intel Celeron J1900	Atom E3845	Atom E3825
	Max. Speed	2 GHz (Quad Core)	1.91 GHz (Quad Core)	1.33 GHz (Dual Core)
	L2 Cache	2 MB	2 MB	1 MB
	BIOS	AMI EFI 16Mbit		
Memory	Technology	DDR3L 1066/1333 MHz		
	Max. Capacity	8 GB		
	Socket	1 x 204-pin SO-DIMM		
Graphics	Controller	Intel Gen7 graphic engine		
	Graphic Engine	DirectX11, OpenGL3.2, OpenCL1.1		
	VGA	Full HW acceleration, decode: H.264, MPEG2/4, VC-1, WMV9. Encode: H.264, MPEG2		
	HDMI/Display Port	UXGA 1600 x 1200 @ 60Hz HDMI 1.4a for HD video playback, 1080P @ 60Hz Displayport*, up to 2560 x 1600 @ 60Hz		
	Dual Display	Yes, VGA + HDMI		
Ethernet	GbE1	10/100/1000 Mbps Intel i210 controller		
	GbE2	10/100/1000 Mbps Intel i210 controller		
Audio	Interface	Realtek ALC888S, High Definition Audio (HD), Line-in, Line out, Mic-in		
IO Interface	Serial Ports	4 x RS-232 Ports with ESD protection : Air gap ±15kV, Contact ±8kV		
	USB Interface	4 x USB ports, 1 x USB 3.0 and 3 x USB 2.0		
Other	Digital IO	8-bits		
	Watchdog timer	255 levels timer interval, setup by software		
Internal Expansion	Mini PCIe	1 x full size Mini PCIe with SIM holder		
Storage	HDD	Supports one drive bay for SATA 2.5" HDD (Compatible with 9mm height HDD)		
	mSATA	1 x Full-size		
	SD slot*	1 (Shared with mSATA)		
Supported Extension Module	MI0e-210	4 x RS232/422/485, 2 x RS422/485		
	MI0e-220	3 x Intel Gigabit Ethernet		
	MI0e-3674	4 x Gigabit Ethernet with PoE ports		
	MI0e-3680	2 x CAN Bus		
Power Requirement	Power Type	AT/ATX		
	Power Input Voltage	24 V _{DC} (Phoenix plug in rear side) / 12 V _{DC} (DC Jack in front side)		
	Minimum Power Input	12 V ~ 24 V, 3.0 A ~ 1.5 A		
Power Consumption	Typical	TBC		
	Max.	TBC		
Mechanical	Construction	Plastic Part: PC+ABS(LG5001RFP)Chassis: SECC Bottom Cover: Aluminum Heatsink: Aluminum 6063-T5 Metal Parts: SECC		
	Mounting	Din-Rail mounting, Desk/wall-mounting, VESA mounting		
	Dimensions (W x H x D)	284.6 x 151.6 x 74.5 mm (11.2" x 5.96" x 2.9")		
	Weight	2.3 kg (5.07 lb), with HDD, MI0e-210 and Wifi module inside)		
Environment	Operating Temperature	0 ~ 45° C (32 ~ 113° F) with 0.7m/s air flow		
	Storage Temperature	- 40 ~ 85° C (- 40 ~ 185° F)		
	Relative Humidity	95% @ 40° C (non-condensing)		
	Vibration During Operation	With SSD: 5 Grms, IEC 60068-2-64, random, 5 ~ 500 Hz, 1 hr/axis.		
	Shock During Operation	With SSD: 50 G, IEC 60068-2-27, half sine, 11 ms duration		
	EMC	CE/FCC Class A, CCC, BSMI		
	Safety Certifications	UL, CCC, BSMI		

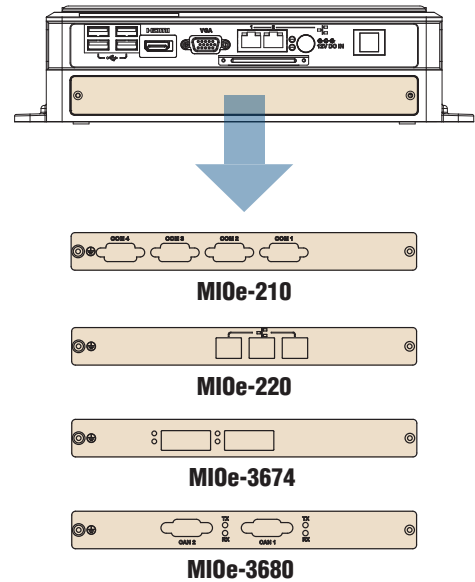
* The specification is supported by request

Dimensions

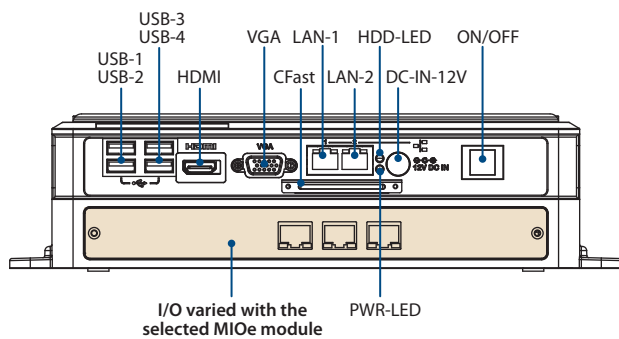
Unit: mm



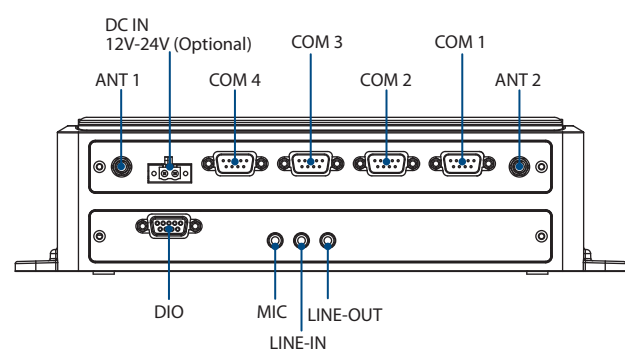
Supported Extension Modules



Front Panel External I/O Mechanical Layout/Drawing



Rear Panel External I/O Mechanical Layout/Drawing



Packing List

Part Number	Description
-	1 x MIOS-5251 Unit
-	1 x User Manual
-	1 x China RoHS
-	Wrench, screw and stud pack

Ordering Information

Part Number	Description
MIOS-5251J-U0A1E	
MIOS-5251E-S9A1E	
MIOS-5251E-S3A1E	

Optional Items

Part Number	Description
1757003659	AC-to-DC Adapter, DC19 V/3.42 A 65 W, with Phoenix Power Plug, 0 ~ 40° C for Home and Office Use
1757003995	AC-to-DC Adapter, DC 12V/5A 60W, 0 ~ 40° C for Home and Office Use
1700001524	Power cable 3-pin 180 cm, USA type
170203180A	Power cable 3-pin 180 cm, UK type
170203183C	Power cable 3-pin 180 cm, Europe type
1700008921	Power cable 3-pin 180 cm, PSE
-	VESA mounting bracket
-	DIN-rail mounting kit

Embedded OS

Refer to page 3-7