

Overview 0

Cabinets 1

Wall mounted cases 2

Accessories for cabinets and wall mounted cases 3

Climate control 4

Desk-top cases 5

**Subracks/
19" chassis ... 6**

Front panels, plug-in units .. 7

Systems 8

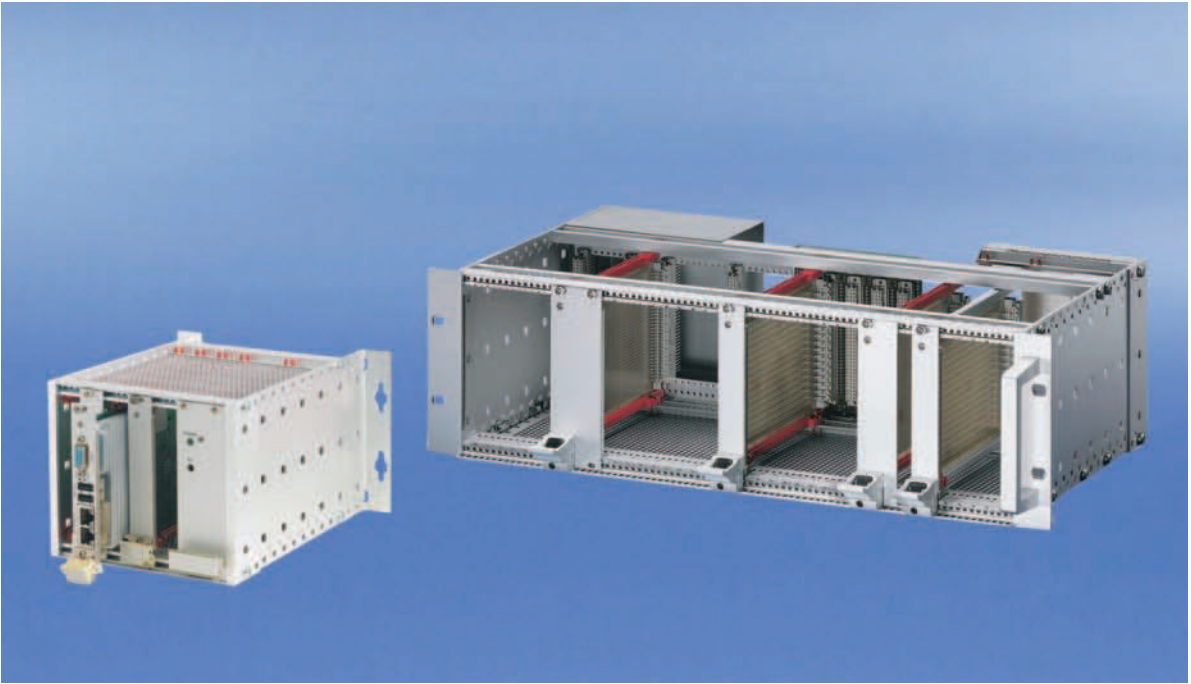
Power supply units 9

Backplanes .. 10

Connectors, front panel component system 11

Appendix 12

Subracks – for industrial applications



06112008

We package your euroboards - even for applications in harsh industrial environments

- A wide range in different dimensions, with finishes for the most diverse applications
- In accordance with the IEC 60297-3-101 and IEEE 1101.1 standards
- Tested to IEC 61587, VG 95373 T15, EN 50155, BN 411002, NF F 67-012, NF F 60-002
- Delivered as a kit in space-saving package or individually assembled and fitted to your specifications

Applications



06112009

Subracks for mounting on mounting plate incl. connection field



06112010

Subracks with special adaptation

Downloads and further important information can be found on the Internet under www.schroff.biz



Sub racks – for industrial applications

Overview 6.86

Subrack for industrial applications

- Accommodates electronic boards in industrial applications
- Mounting frame for power distribution modules (connectors, RCD switches, ...)
- Bracket for panel mounting

Introduction . . . 6.4

Subrack for wall mounting . 6.88

Module support 6.89

Bracket for panel mounting 6.90

Accessories 6.91

ServicePLUS . . 6.16
Application examples 6.85

europacPRO 6.6
Subracks for mobile railway applications . . 6.70
europacPRO for rugged applications . . 6.92



06112002

Subrack for mounting on a mounting plate

- Height 3 U, width 28 HP, depth 205 mm
- For mounting on mounting plate
- For direct mounting of backplanes or to fit DIN plugs, DIN 41612/EN 60603-2



01494031

Module support

- Height 3 U, width 84 HP, depth 115 mm
- Power distribution modules to mount on lipped horizontal rail in accordance with DIN 43880



06197021

Bracket for mounting subracks in a panel

- Bracket widths 42 and 84 HP

Accessories

- Accessories (e.g. lipped rail adaptor, horizontal rails)

ServicePLUS from page 6.16 / 6.84

- e.g. modification (cut-outs)
- e.g. downloads (CAD drawings, user manuals, test reports)
- e.g. custom solutions (special depths, electromagnetically shielded applications)

www.schroff.biz/ServicePLUS



30407004

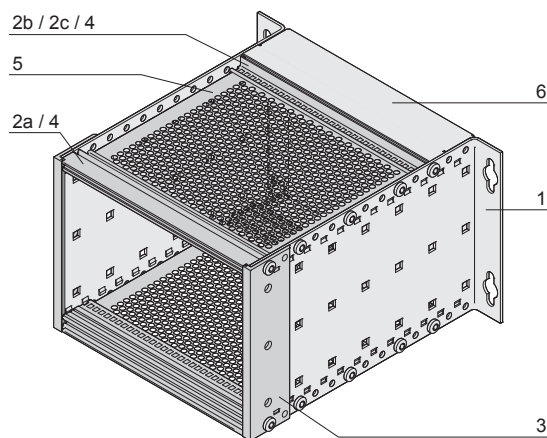
Subracks - europac PRO for industrial applications

europacPRO subrack, unshielded

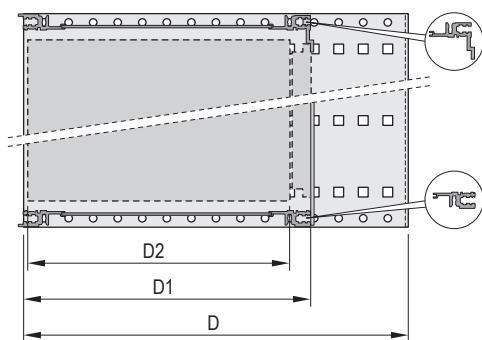


06112001

Illustration shows subrack without rear hood



06112050



06112051

Connector/backplane mounting;
D=overall depth, D1=insertion depth,
D2=board depth = D1 - 15 mm



04400003

Horizontal rail to rear for connector mounting



04400002

Horizontal rail to rear for direct backplane mounting

- Subrack to mount on the wall or on mounting plate
- For mounting of euroboards to IEC 60297-3-101 in size 3 U, 160 mm deep
- Versions
 - For connector mounting (DIN 41612, EN 60602-3), with/without rear panel
 - For backplane mounting, with/without rear hood

NEW

Delivery comprises

Item	Qty	Description
1	2	Side panel, 3 U, Al, 2 mm with integrated wall-mounting bracket
2a	2	Front horizontal rail (L-KD)
2b	2	Rear horizontal rail (L-RC) for backplane mounting
2c	2	Rear horizontal rail (L-MZ) for connector mounting
3	2	Rear angle
4	2/4	Threaded insert, St, zinc-plated
5	2	Cover plate, pushed in
6	1	Rear hood, Al, 1 mm (only for version with rear hood)
7	1	Fixing materials kit, user manual

Order Information

Description	Height	Width	Depth	Depth	Part no.
	U	HP	D mm	D1 mm	
With rear panel, for connector mounting	3	28	205	175	24563-110
Without rear panel, for connector mounting	3	28	205	175	24563-109
With rear panel, for direct backplane fixing	3	28	205	175	24563-108
Without rear panel, for direct backplane fixing	3	28	205	175	24563-107

Accessories

Guide rails, accessories, 160 mm deep PBT, UL 94 V-0, red, groove width 2 mm, PU 10 pieces **24560-351**

Front panels **Page 7.5**

Front panel with handle **Page 7.16**

Note

- EMC version on request


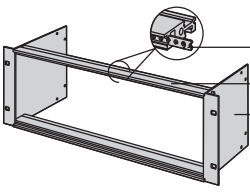
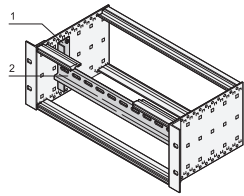
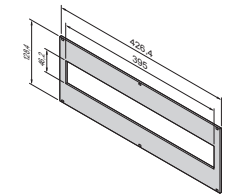
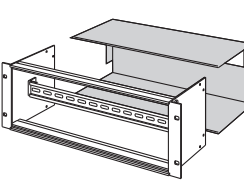


For further information www.schroff.biz/oneclick
oneClick search code = Part no.

Subracks - *europac* **PRO** for industrial applications

19" module support, support rail to DIN 43880, hood

Order Information

	<p>19" module support to accommodate power distribution modules</p>  <p>BLA43467</p> <p>3 U, 84 HP, 115.5 mm deep; 2 side panels Al, 2 mm; 2 horizontal rails with short lip (L-KD), Al extrusion, surface anodised, contact surfaces conductive; 2 threaded inserts, St, zinc-plated; GND/earthing kit; fixing material kit;</p> <p>Please order support rail separately</p> <p>PU 1 kit</p> <p>24563-100</p>	<p>Support rails to DIN 43880</p>  <p>06105080</p> <p>2 adaptor brackets, Al, 2 mm; support rail, St, zinc-plated, (35/7.5 mm); for width 84 HP (430.5 mm);</p> <p>Mounted in module support or subrack on the side panel</p> <p>PU 1 kit</p> <p>24565-100</p>	<p>Front panel for 19" module support</p>  <p>06111053</p> <p>3 U, 84 HP, Al, 2.5 mm, front anodised, rear iridescent green chromated; GND/earth connection 6.3 mm FASTON; (cut-out 395 mm x 46.2 mm); two blanking plates, plastic, polyester, colour similar to RAL 7035; to cover unused module slots</p> <p>1 piece</p> <p>24563-096</p>	<p>Hood</p>  <p>BLA43492</p> <p>Al, 1 mm, with brush strip; is bolted to the rear of the module support; GND/earthing kit</p> <p>1 piece</p> <p>24564-100</p>
---	--	---	--	---

Accessories

- Power distribution modules see page 3.34

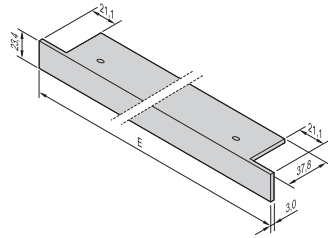
Subracks - *europac* PRO for industrial applications

Bracket for panel mounting

Order Information



Bracket (mounting angle)



bza45819

Al extrusion, anodised; serves as front visual cover of subrack at top and bottom when fitted into a panel; screwed in from the front with the horizontal rail; 2 brackets and 4 screws are required per subrack

06197021

Usable width	Length
HP	mm
42	269.2
84	482.6
Torx panhead screw 2.5 × 9.3, zinc-plated, PU 100 pieces	

1 piece

34561-777

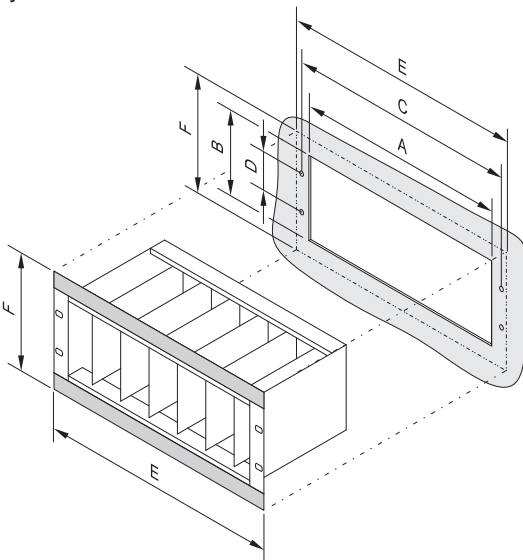
34561-779

24560-141

Note

- Further widths available on request

Assembly cut-out



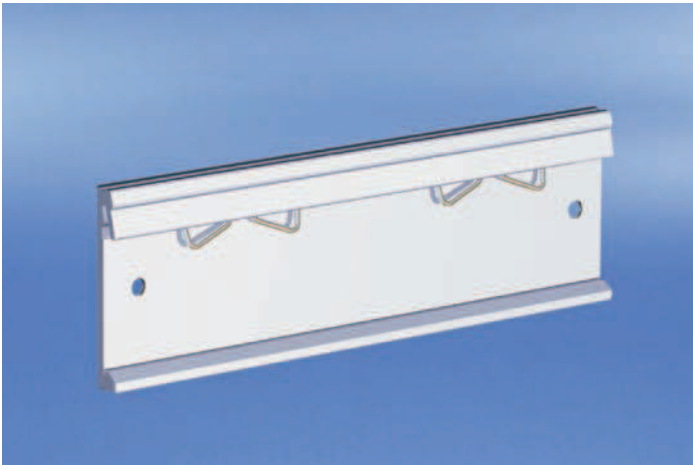
06105066

Dimensions table

U	HP	A	B	C	D	E	F
		mm	mm	mm	mm	mm	mm
3	42	237.0	145.0	252.0	57.15	269.2	179.4
3	63	343.0	145.0	358.5	57.15	375.9	179.4
3	84	450.0	145.0	465.0	57.15	482.6	179.4
6	42	237.0	278.5	252.0	190.5	269.2	312.7
6	63	343.0	278.5	358.5	190.5	375.9	312.7
6	84	450.0	278.5	465.0	190.5	482.6	312.7

Subracks - *europac* **PRO** for industrial applications

Adaptor for horizontal rail mounting



04812021

- For mounting e.g. small subracks, small wall mounted cases, frame type plug-in units or PSUs on a horizontal rail with lip
- Adaptor is bolted to the desired product and can then be clipped to the lipped horizontal rail (DIN 43880)

Delivery comprises

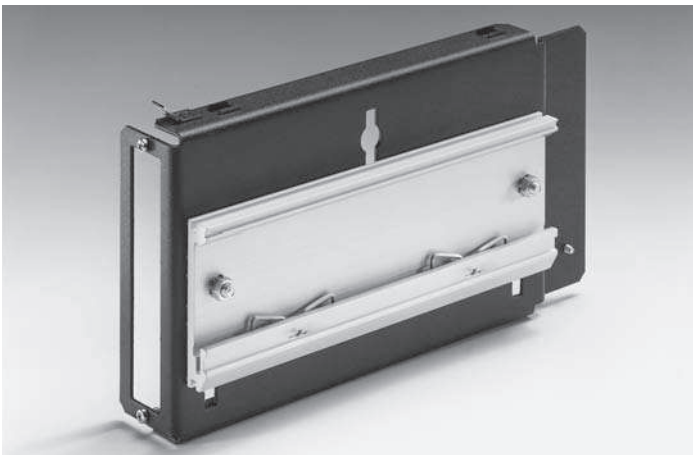
Item	Qty	Description
1	1	Adaptor, Al extrusion, length 160 mm
1	1	Assembly kit

Order Information

Description	Part no.
Adaptor for horizontal rail mounting	11000-002



For further information www.schroff.biz/oneclick
oneClick search code = Part no.



11395007

Example: Lipped horizontal rail adaptor for 19" PSU