

76_{mm}

San Ace B76

30mm thick



General Specifications With a pulse sensor

- Material Frame: Plastics (Flammability: UL94V-0),
Impeller: Plastics (Flammability: UL94V-1)
- Life Expectancy Varies for each model (L10: Survival rate: 90% at 60°C ,
rated voltage, and continuously run in a free air state)
- Lead Wire ⊕red ⊖black or blue (Sensor) yellow
- Storage Temperature -30°C to +70°C (Non-condensing)

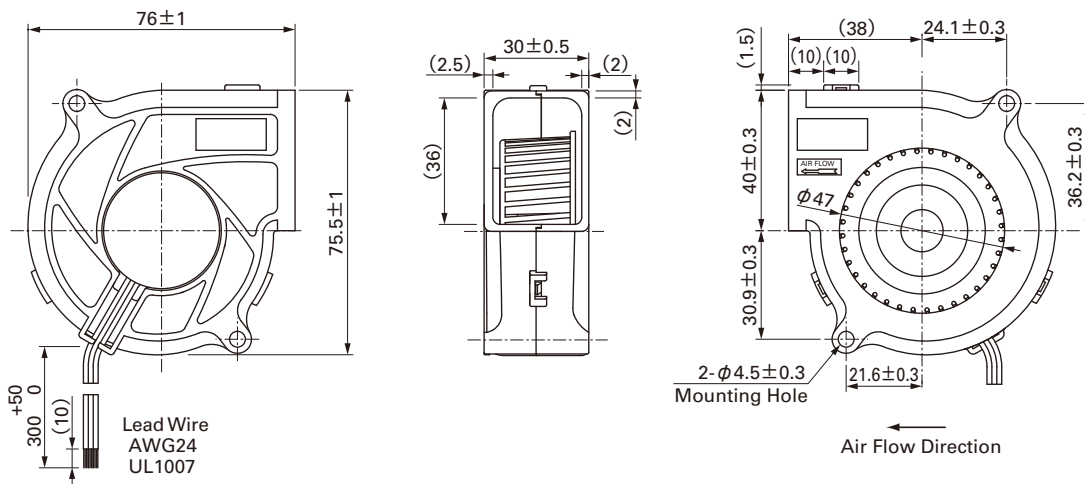
76_{mm} × 30_{mm} (Mass : 100g)

Specifications

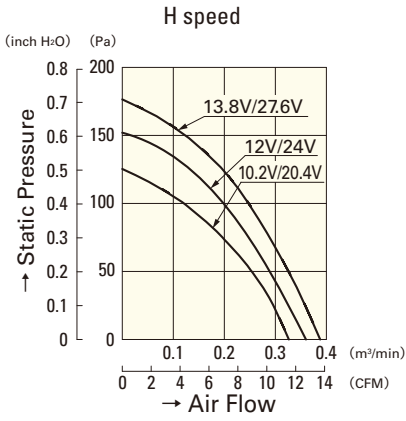
Model No.	Rated Voltage [V]	Operating Voltage Range [V]	Rated Current [A]	Rated Input [W]	Rated Speed [min ⁻¹]	Air Flow		Static Pressure		SPL [dB(A)]	Operating Temperature [°C]	Life Expectancy [h]
						[m ³ /min]	[CFM]	[Pa]	[inchH ₂ O]			
109BD12HC2	12	10.2 to 13.8	0.37	4.44	3,000	0.36	12.7	151.9	0.610	41.5	-10 to +60	40,000
109BD12FC2			0.27	3.24	2,600	0.31	10.9	98	0.394	37	-10 to +70	
109BD12MC2			0.14	1.68	2,100	0.25	8.8	58.8	0.236	32.5	-10 to +60	
109BD24HC2	24	20.4 to 27.6	0.17	4.08	3,000	0.36	12.7	151.9	0.610	41.5	-10 to +60	
109BD24FC2			0.14	3.36	2,600	0.31	10.9	98	0.394	37	-10 to +70	
109BD24MC2			0.10	2.40	2,100	0.25	8.8	58.8	0.236	32.5	-10 to +70	

Without Sensor Pulse Sensor Available in all models. Lock Sensor Please inquire as the availability of these functions depend on the model.

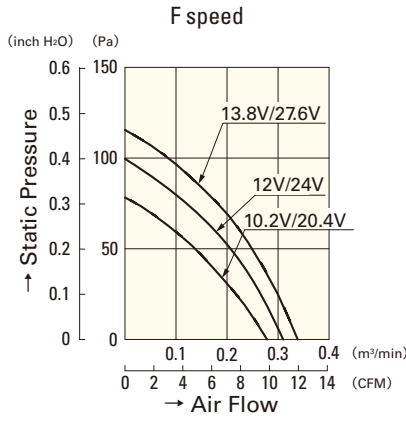
Dimensions (Unit : mm)



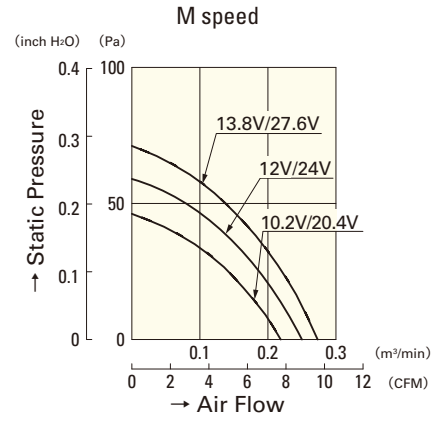
Air Flow and Static Pressure Characteristics



109BD12HC2
109BD24HC2



109BD12FC2
109BD24FC2



109BD12MC2
109BD24MC2

Blower 76mm

76mm