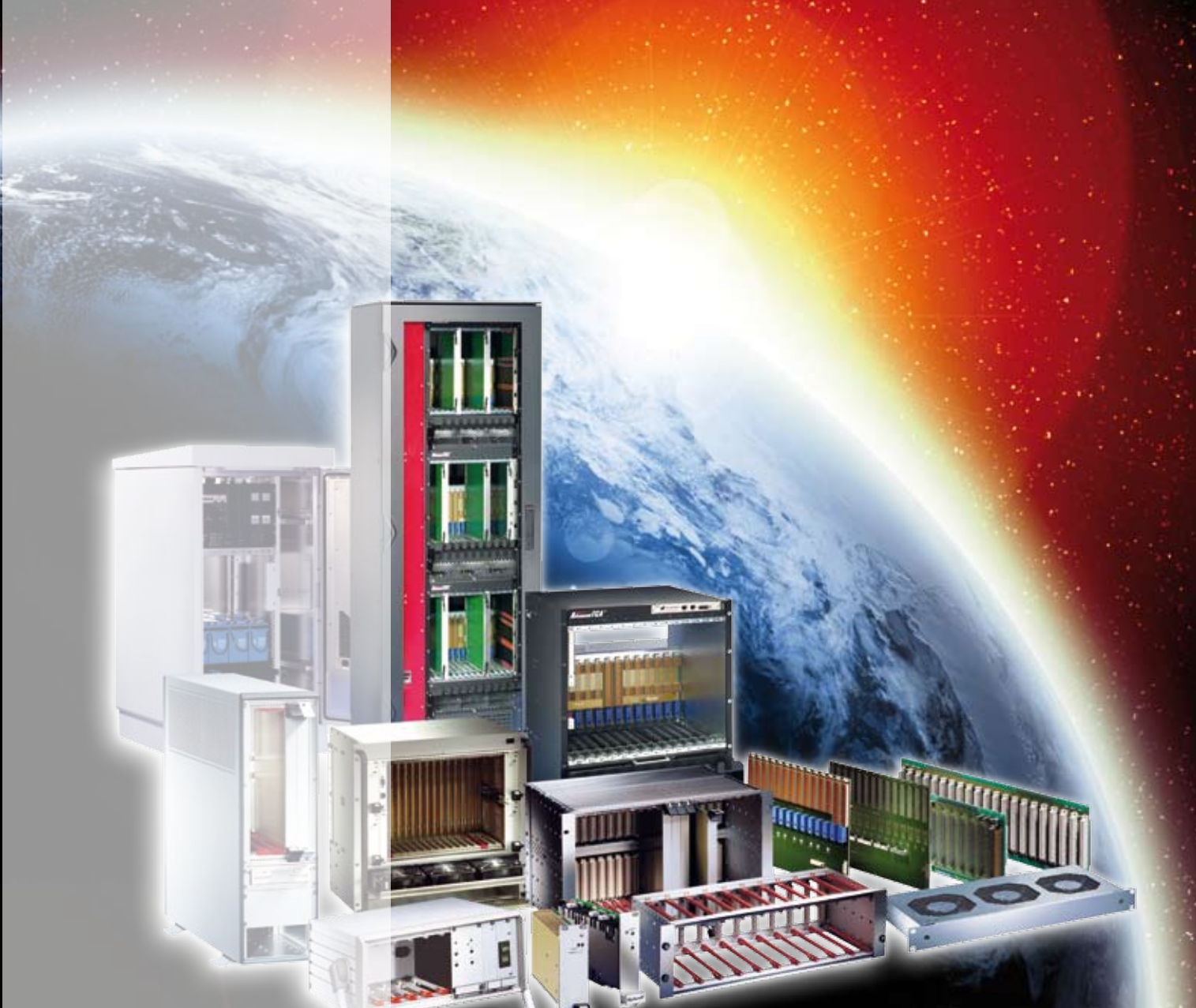


Main Catalogue

Edition 23

9. Power supplies



Overview 0

Cabinets 1

Wall mounted cases 2

Accessories for cabinets and wall mounted cases 3

Climate control 4

Desk-top cases 5

Subracks/ 19" chassis 6

Front panels, plug-in units 7

Systems 8

Power supply units 9

Backplanes 10

Connectors, front panel component system 11

Appendix 12

Power supplies



slimpower

AC/DC switched mode power supplies:
42 W, 3 HP, compact and low-interference

maxpower / ecopower

AC/DC switched mode power supplies:
50 – 180 W,
1 – 3 output voltages



maxpowerPRO

CompactPCI power supplies:
AC/DC and DC/DC versions

MPS series

VMEbus power supplies:
150 W and 224 W output performance



maxpower, adjustable

AC/DC switched mode power supplies:
100 W, 6 HP,
output voltage steplessly adjustable

36106011 (11302001 11399005 11302005 11301002 11303001)



Power supplies



coolpower

DC/DC switched mode power supplies:
100 W,
wide DC input voltage range

Linear regulator AC/DC

Very low interference,
optimised for medical applications



Open frame power supplies

Compact VMEbus power supplies, prepared for
Schroff MPS systems



Redundant solutions for telecom

300 W to 1000 W output performance,
high availability with
battery backup



Overview 9.0

19" compatible power supplies,
AC/DC switched mode

Single, 42 W 9.2
Single, 50 W 9.3
Single, 100 W 9.4
Single,
adjustable, 100 W 9.5
Single, 180 W 9.6
Dual, 100 W 9.7
Triple, 100 W 9.8
Triple, 130 W 9.9
Triple, 150/224 W 9.10
Quad, 250 W 9.11
Quad, 500 W 9.12

AC/DC linear regulators

Single, 8 - 60 W . . 9.13
Dual, 10 - 58 W . . 9.14
Triple, 7 - 39 W . . 9.15

DC/DC switched mode power supplies

Single, 100 W 9.16
Dual, 100 W 9.17
Triple, 100 W 9.18
Quad, 250 W 9.19
Quad, 400 W 9.20

Accessories

Z-rail, 4 HP 9.21
Connector H 15 F. 9.21
Keying/coding . . . 9.22
Wall/horizontal rail mounting . . . 9.22

Open frame power supplies,
AC/DC switched mode

Quad, 300 W 9.23
Triple, Quad,
400 W/600 W 9.24
Triple, Quad,
600 W/800 W 9.25

Power systems

150 W 9.26
1400 W 9.27

ServicePLUS . 9.28

Power supplies – 19" compatible, AC/DC switched-mode

Single, 42 W

slimpower



11302001

- Width only 3 HP
- Wide input voltage range
85 ... 254 V_{AC} and 120 ... 360 V_{DC}
- Single output voltage with low interferences
(low ripple < 10 mV_{PP})
- Integrated decoupling diode for redundancy operation
(can be activated)
- Passive Current Share Bus
- Signalling: Output voltage OK



Delivery comprises

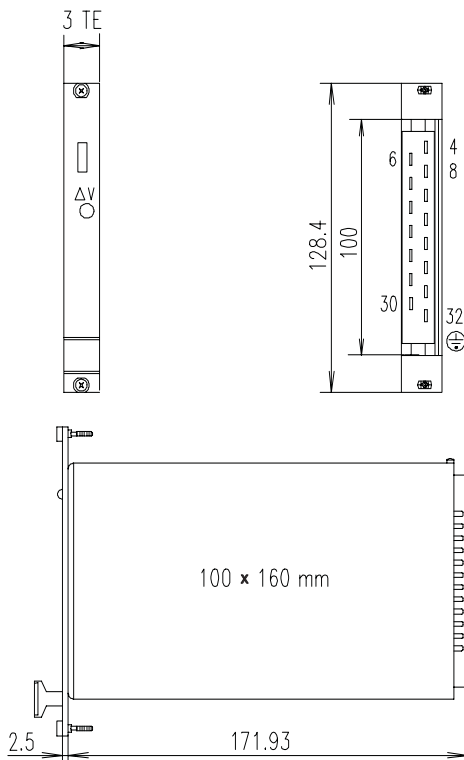
Qty	Description
1	19"-compatible power supply unit height 3 U width 3 HP depth 171.93 mm (160 mm board depth) connector H 15M

Order Information

Voltage V	Current A	Power W	Description	Part no.
5	6	30	SLE 105	13100-136
12	3.5	42	SLE 112	13100-137
15	2.8	42	SLE 115	13100-138
24	1.7	41	SLE 124	13100-139
Front panel 3 HP, Al, front anodised, rear iridescent green chromated, with vertical slots for EMC sealing, incl. assembly kit, 1 piece				21006-959
EMC contact strip 3 U, 97 mm, stainless steel, two pieces necessary per front panel, PU 10 pieces				21101-705
Connector H 15 F FASTON connection, 1 piece				69001-733

Note

- Please order front panel separately
- Output data at T_a = 0 ... 50 °C
- Further accessories see page 9.21



11302054

TE = HP

Connector pin-out

Pin	Connection
4	Output + V ₁
6	Output + V ₁
8	Sense line + V ₁
10	Sense line 0 V ₁
12	Output 0 V ₁
14	Output 0 V ₁
16	–
18	–
20	–
22	–
24	Output OK
26	–
28	L
30	N
32	PE ⊕



For further information www.schroff.biz/oneclick
oneClick search code = Part no.

Power supplies – 19" compatible, AC/DC switched-mode

Single, 50 W

ecopower



11396002

- Wide input voltage range
90 ... 264 V_{AC} and 130 ... 340 V_{DC}
- 1 output voltage
- Integrated decoupling diode for redundancy operation
- Active Current Share Bus (CSB)
- Signalling: Output voltage OK
- Efficiency up to 80 %



Delivery comprises

Qty	Description
1	19" compatible power supply height 3 U width A: 6 HP depth 171.93 mm (160 mm board depth) connector H 15M coding strip (fitted)

Order Information

Voltage V	Current A	Power W	Description	Part no.
5	9	45	SEK 105	13100-043
12	4.2	51	SEK 112	13100-044
15	3.4	51	SEK 115	13100-041
24	2.1	51	SEK 124	13100-045
48	1.1	53	SEK 148	13100-046

Front panel 6 HP, Al, front anodised, rear iridescent green chromated, with vertical slots for EMC sealing, incl. assembly kit, 1 piece **21006-943**

EMC contact strip 3 U, 97 mm, stainless steel, two pieces necessary per front panel, PU 10 pieces **21101-705**

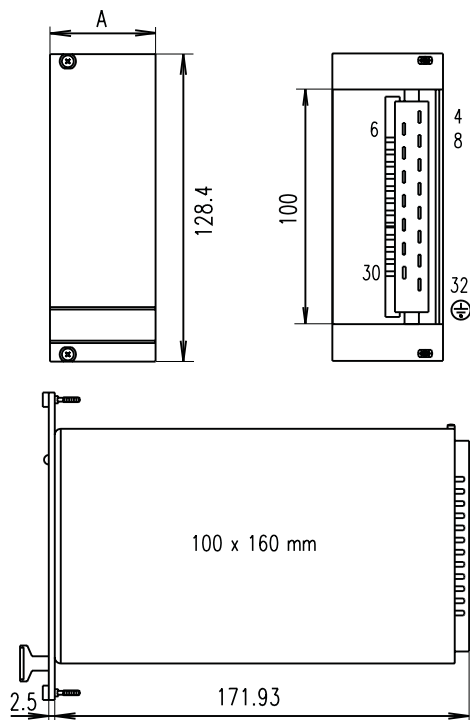
Connector H 15 F FASTON connection, 1 piece **69001-733**

Coding PU (1 keying/coding strip, 2 pieces keying/coding pins) **60800-123**

Note

- Please order front panel separately
- Output data at T_a = 0 ... 50 °C
- Further accessories see page 9.21

DJUM0084



Connector pin-out

Pin	Connection
4	Output + V ₁
6	Output + V ₁
8	Sense line + V ₁
10	Sense line 0 V ₁
12	Output 0 V ₁
14	Output 0 V ₁
16	-
18	-
20	-
22	CSB
24	Output OK
26	-
28	L
30	N
32	PE ⊕

Power supplies – 19" compatible, AC/DC switched-mode

Single, 100 W

maxpower



11399005

- Wide input voltage range 90 ... 254 V_{AC} and 100 ... 360 V_{DC} with active Power Factor Correction (PFC)
- High performance: 100 W at 6 HP
- 1 output voltage
- Integrated decoupling diode for redundant operation
- Active Current Share Bus (CSB)
- Signalling: Output voltage OK



Delivery comprises

Qty	Description
1	19" compatible power supply height 3 U width A: 6 HP depth 171.93 mm (160 mm board depth) connector H 15M coding strip (fitted)

Order Information

Voltage V	Current A	Power W	Description	Part no.
5	16	80	MAX 105	13100-102
12	8.3	100	MAX 112	13100-103
15	6.6	99	MAX 115	13100-104
24	4.2	101	MAX 124	13100-105
Front panel 6 HP, Al, front anodised, rear iridescent green chromated, with vertical slots for EMC sealing, incl. assembly kit, 1 piece				21006-943
EMC contact strip 3 U, 97 mm, stainless steel, two pieces necessary per front panel, PU 10 pieces				21101-705
Connector H 15 F FASTON connection, 1 piece				69001-733
Coding PU (1 keying/coding strip, 2 pieces keying/coding pins)				60800-123

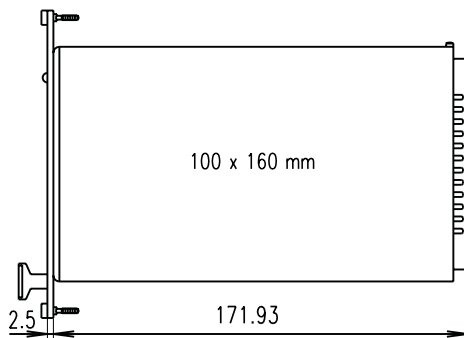
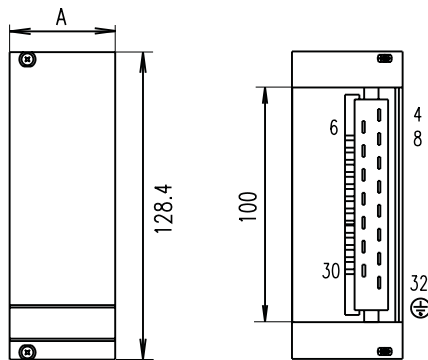
Note

- Please order front panel separately
- Output data at mains/line voltage >190 V_{AC}, T_a = 0 ... 50 °C
- Further accessories see page 9.21

DJUM0084



For further information www.schroff.biz/oneclick
oneClick search code = Part no.



Connector pin-out

Pin	Connection
4	Output + V ₁
6	Output + V ₁
8	Sense line + V ₁
10	Sense line 0 V ₁
12	Output 0 V ₁
14	Output 0 V ₁
16	–
18	–
20	–
22	CSB
24	Output OK
26	–
28	L
30	N
32	PE ⊕

Power supplies – 19" compatible, AC/DC switched-mode

Single, adjustable 100 W

maxpower



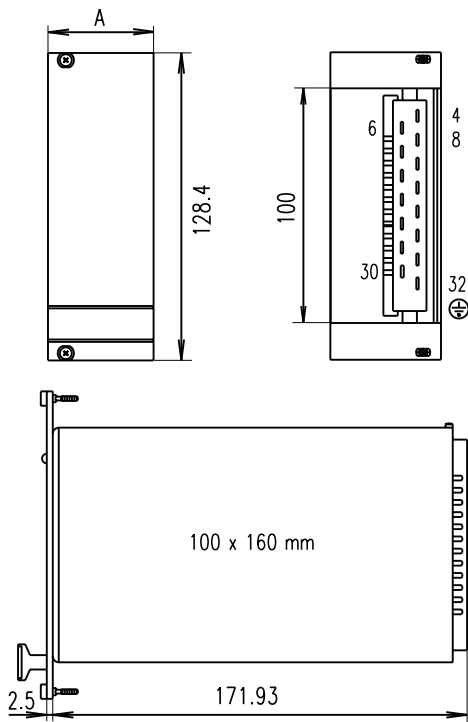
11303001

- Wide adjustment range of output voltage
- Wide input voltage range 90 ... 264 V_{AC} and 100 ... 360 V_{DC} with active Power Factor Correction (PFC)
- 1 output voltage
- Integrated decoupling diode for redundancy operation
- Active Current Share Bus (CSB)
- Signalling: Output voltage OK



Delivery comprises

Qty	Description
1	19" compatible power supply height 3 U width A: 6 HP depth 171.93 mm (160 mm board depth), output voltage factory preset to 12 V / 24 V Connector H 15M Coding strip (fitted)



Order Information

Voltage V	Current A	Power W	Description	Part no.
4.5–17	5.9	100	MAX LR	13100-133
16–30	3.4	102	MAX UR	13100-134
Front panel 6 HP, Al, front anodised, rear iridescent green chromated, with vertical slots for EMC sealing, incl. assembly kit, 1 piece				21006-954
EMC contact strip 3 U, 97 mm, stainless steel, two pieces necessary per front panel, PU 10 pieces				21101-705
Connector H 15 F FASTON connection, 1 piece				69001-733
Coding PU (1 keying/coding strip, 2 pieces keying/coding pins)				60800-123

Note

- Please order front panel separately
- Output data at mains/line voltage >190 V_{AC}, T_a = 0 ... 50 °C
- Further accessories see page 9.21

Connector pin-out

Pin	Connection
4	Output + V ₁
6	Output + V ₁
8	Sense line + V ₁
10	Sense line 0 V ₁
12	Output 0 V ₁
14	Output 0 V ₁
16	–
18	–
20	–
22	CSB
24	Output OK
26	–
28	L
30	N
32	PE ⊕

DJUM0084



For further information www.schroff.biz/oneclick
oneClick search code = Part no.

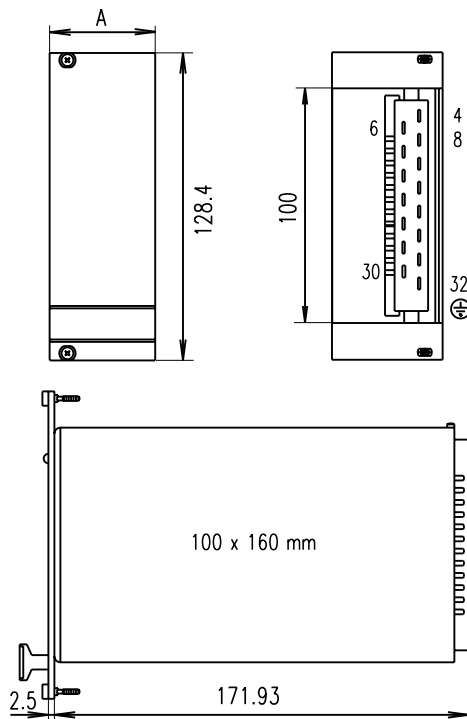
Power supplies – 19" compatible, AC/DC switched-mode

Single, 180 W

maxpower



11308005



DJUM0084

Connector pin-out

Pin	Connection
4	Output + V ₁
6	Output + V ₁
8	Sense + V ₁
10	Sense 0V V ₁
12	Output 0V V ₁
14	Output 0V V ₁
16	Output + V ₁
18	Output 0V V ₁
20	Test
22	CSB
24	DC output OK
26	–
28	L
30	N
32	PE ⊕

- Wide input voltage range 90 ... 254 V_{AC} and 100 ... 360 V_{DC} with active Power Factor Correction (PFC)
- 1 output voltage
- Integrated active decoupling for redundancy operation
- Active Current Share Bus (CSB)
- Signalling: Output voltage OK
- Efficiency up to 87 %



NEW

Delivery comprises

Qty	Description
1	19" compatible power supply height 3 U width A: 8 HP depth 171.93 mm (160 mm board depth) Male connector H 15M (fitted) keying/coding strip (fitted)

Order Information

Voltage V	Current A	Power W	Description	Part no.
5	30	150	MAX 180-105	13100-150
12	13	156	MAX 180-112	13100-151
15	11	165	MAX 180-115	13100-152
24	7	168	MAX 180-124	13100-153
Front panel 8 HP, Al extrusion, front anodised, rear iridescent green chromated, shielded with fixed textile gasket, incl. assembly kit, 1 piece				31006-677
Connector H 15 F FASTON connection, 1 piece				69001-733
Coding PU (1 keying/coding strip, 2 pieces keying/coding pins)				60800-123

Note

- Please order front panel separately
- Output data at mains/line voltage >190 V_{AC}, T_a = 0 ... 50 °C
- Further accessories see page 9.21



For further information www.schrack.biz/oneclick
oneClick search code = Part no.

Power supplies – 19" compatible, AC/DC switched-mode

Dual, 100 W

maxpower



- Wide input voltage range 90 ... 254 V_{AC} and 100 ... 360 V_{DC} with active Power Factor Correction (PFC)
- High performance: 100 W at 8 HP
- 2 output voltages
- Efficiency up to 80 %



Delivery comprises

Qty	Description
1	19"-compatible power-supply unit height: 3 U width A: 8 HP depth 171.93 mm (160 mm board depth) connector H 15M coding strip (fitted)

Order Information

Voltage V	Current A	Power W	Description	Part no.
V ₁ : 5 V ₂ : 12	I ₁ : 9 I ₂ : 4	93	MAX 2512	13100-112
V ₁ : 5 V ₂ : 24	I ₁ : 9 I ₂ : 2	93	MAX 2524	13100-114
V ₁ : 12 V ₂ : -12	I ₁ : 4.2 I ₂ : 4.2	101	MAX 212	13100-115
V ₁ : 15 V ₂ : -15	I ₁ : 3.4 I ₂ : 3.4	102	MAX 215	13100-116

Front panel 8 HP, Al, front anodised, rear iridescent green chromated, with vertical slots for EMC sealing, incl. assembly kit, 1 piece **21006-945**

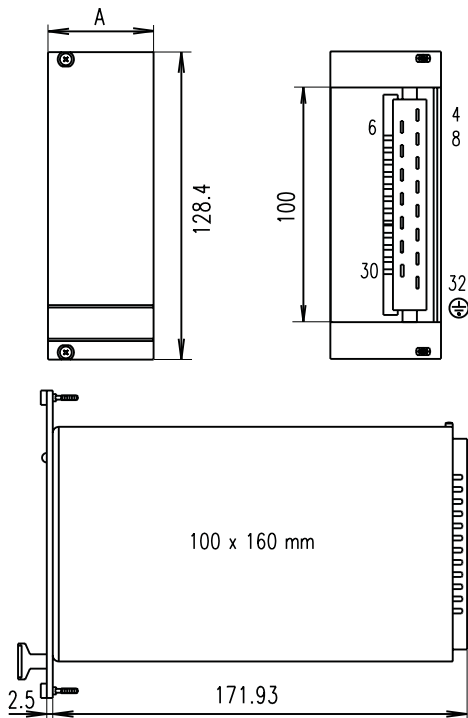
EMC contact strip 3 U, 97 mm, stainless steel, two pieces necessary per front panel, PU 10 pieces **21101-705**

Connector H 15 F FASTON connection, 1 piece **69001-733**

Coding PU (1 keying/coding strip, 2 pieces keying/coding pins) **60800-123**

Note

- Please order front panel separately
- Output data at mains/line voltage >190 V_{AC}, T_a = 0 ... 50 °C
- Further accessories see page 9.21



Connector pin-out

Pin	Connection
4	–
6	–
8	–
10	–
12	–
14	–
16	Output + V ₁
18	Output 0 V ₁
20	Output + V ₂
22	Output 0 V ₂
24	–
26	–
28	L
30	N
32	PE ⊕

DJUM0084



For further information www.schroff.biz/oneclick
oneClick search code = Part no.

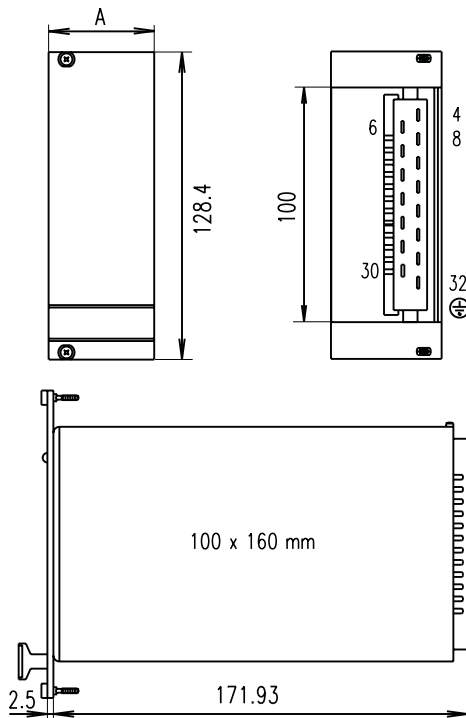
Power supplies – 19" compatible, AC/DC switched-mode

Triple, 100 W

maxpower



11300011



DJUM0084

Connector pin-out

Pin	Connection
4	Output + V ₁
6	Output + V ₁
8	Sense line + V ₁
10	Sense line 0V V ₁
12	Output 0V V _{1,2}
14	Output 0V V _{1,2}
16	Output + V ₂
18	Output 0V V _{1,2}
20	Output 0V V ₃
22	Output – V ₃
24	Output OK
26	–
28	L
30	N
32	PE ⊕

- Wide input voltage range 90 ... 254 V_{AC} and 100 ... 360 V_{DC} with active Power Factor Correction (PFC)
- High performance: 100 W at 8 HP
- 3 output voltages
- Signalling: Output voltage OK



Delivery comprises

Qty	Description
1	19" compatible power supply height 3 U width A: 8 HP depth 171.93 mm (160 mm board depth) connector H 15M coding strip (fitted)

Order Information

Voltage V	Current A	Power W	Description	Part no.
V ₁ : 5 V ₂ : 12 V ₃ : -12	I ₁ : 8 I ₂ : 2.5 I ₃ : 2.5	100	MAX 312	13100-122
V ₁ : 5 V ₂ : 15 V ₃ : -15	I ₁ : 8 I ₂ : 2 I ₃ : 2	100	MAX 315	13100-123
Front panel 8 HP, Al, front anodised, rear iridescent green chromated, with vertical slots for EMC sealing, incl. assembly kit, 1 piece				21006-945
EMC contact strip 3 U, 97 mm, stainless steel, two pieces necessary per front panel, PU 10 pieces				21101-705
Connector H 15 F FASTON connection, 1 piece				69001-733
Coding PU (1 keying/coding strip, 2 pieces keying/coding pins)				60800-123

Note

- Please order front panel separately
- Output data at mains/line voltage >190 V_{AC}, T_a = 0 ... 50 °C
- Further accessories see page 9.21



For further information www.schroff.biz/oneclick
oneClick search code = Part no.

Power supplies – 19" compatible, AC/DC switched-mode

Triple, 130 W

ecopower



11399009

- Wide input voltage range 90 ... 254 V_{AC} and 100 ... 360 V_{DC} with active Power Factor Correction (PFC)
- 3 output voltages
- Signalling: Output voltage OK



Delivery comprises

Qty	Description
1	19" compatible power supply height 3 U width A: 12 HP depth 171.93 mm (160 mm board depth) connector H 15M coding strip (fitted)

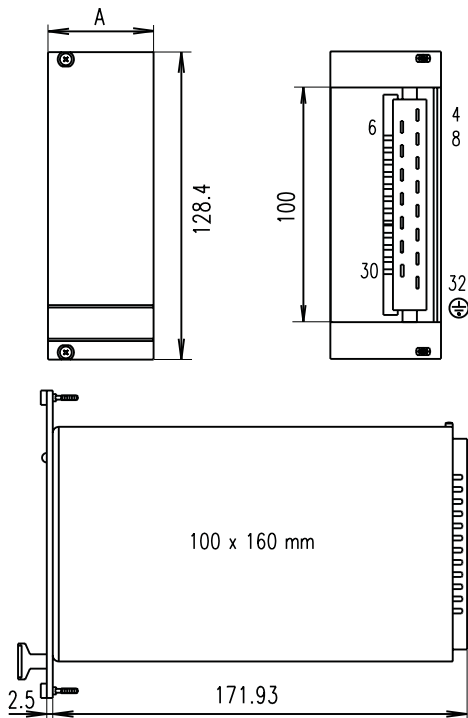
Order Information

Voltage V	Current A	Power W	Description	Part no.
V ₁ : 5	I ₁ : 16	132	SEG 312	13100-078
V ₂ : 12	I ₂ : 2.8			
V ₃ : -12	I ₃ : 1.4			
V ₁ : 5	I ₁ : 16	132	SEG 315	13100-079
V ₂ : 15	I ₂ : 2.2			
V ₃ : -15	I ₃ : 1.1			

Front panel 12 HP, Al, front anodised, rear iridescent green chromated, with vertical slots for EMC sealing, incl. assembly kit, 1 piece	21006-946
EMC contact strip 3 U, 97 mm, stainless steel, two pieces necessary per front panel, PU 10 pieces	21101-705
Connector H 15 F FASTON connection, 1 piece	69001-733
Coding PU (1 keying/coding strip, 2 pieces keying/coding pins)	60800-123

Note

- Please order front panel separately
- Output data at mains/line voltage >190 V_{AC}, T_a = 0 ... 50 °C
- Further accessories see page 9.21



Connector pin-out

Pin	Connection
4	Output + V ₁
6	Output + V ₁
8	Sense + V ₁
10	Sense 0V V ₁
12	Output 0V V _{1,2,3}
14	Output 0V V _{1,2,3}
16	Output + V ₂
18	Output 0V V _{1,2,3}
20	Output 0V V _{1,2,3}
22	Output - V ₃
24	Output OK
26	-
28	L
30	N
32	PE ⊕

DJM0084



For further information www.schroff.biz/oneclick
oneClick search code = Part no.

Power supplies – 19" compatible, AC/DC switched-mode

Triple, 150/224 W



11301002

- Wide input voltage range 90 ... 264 V_{AC} and 130 ... 350 V_{DC} with active Power Factor Correction (PFC)
- 3 output voltages
- VMEbus signalling

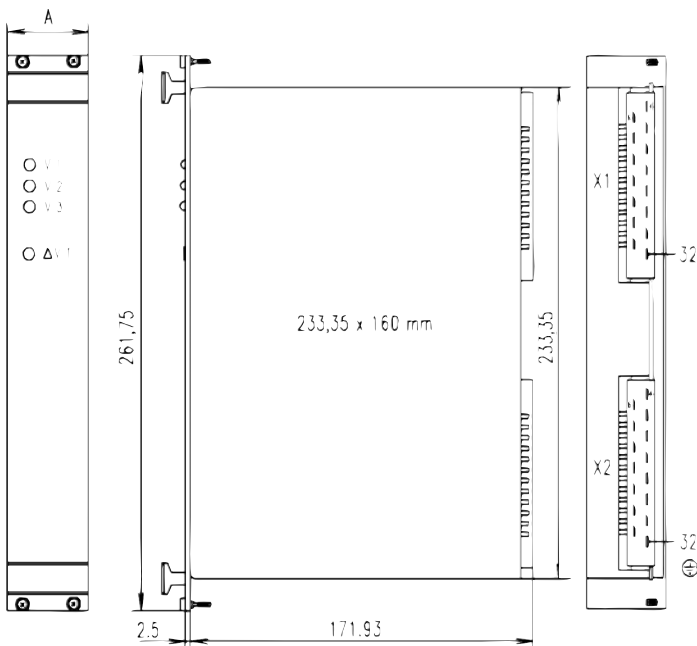


Delivery comprises

Qty	Description
1	19" compatible power supply height 6 U width A: 8, 12 U depth 171.93 mm (160 mm board depth) front panel with handles (fitted) connector H 15M (2 pieces) coding strip (2 pieces, fitted)

Order Information

Voltage V	Current A	Power W	Width HP	Description	Part no.
V ₁ : 5 V ₂ : 12 V ₃ : -12	I ₁ : 20 I ₂ : 4 I ₃ : 3	150 (60)	8	MPS 015	13100-205
V ₁ : 5 V ₂ : 12 V ₃ : -12	I ₁ : 28 I ₂ : 7 I ₃ : 3	224 (84)	12	MPS 022	13100-203
V ₁ : 5 V ₂ : 15 V ₃ : -15	I ₁ : 28 I ₂ : 5.6 I ₃ : 2.4	224 (84)	12	MPS 022/15	13100-204
EMC sealing 6 U, 232 mm, stainless steel, 2 pieces necessary per front panel, PU 10 pieces					21101-707
Connector H 15 F FASTON connection, 1 piece					69001-733
Coding PU (1 keying/coding strip, 2 pieces keying/coding pins)					60800-123



PSA44726

Connector pin-out

Pin	Connection x1 (at top)	Connection x2 (at bottom)
4	Output + V ₁	ACFAIL
6	Output + V ₁	SYSRESET
8	Output + V ₁	–
10	Output + V ₁	Current Share Bus
12	Output + V ₁	Shutdown 4 ... 28 V
14	Sense line + V ₁	GND Shutdown
16	Output - V ₃	–
18	Output 0 V _{1,2,3}	–
20	Output 0 V _{1,2,3}	–
22	Output 0 V _{1,2,3}	–
24	Output 0 V _{1,2,3}	–
26	Output 0 V _{1,2,3}	–
28	Output + V ₂	L
30	Output + V ₂	N
32	Sense line 0 V ₁	PE ⊕



For further information www.schroff.biz/oneclick
oneClick search code = Part no.

Power supplies – 19" compatible, AC/DC switched-mode

Quad, 250 W

maxpowerPRO



11302005

- Wide input voltage range
90 ... 264 V_{AC} with Power Factor Correction (PFC)
- 4 output voltages
- Connector P 47
- Redundant operation with Current Share Bus (CSB), hot-swap
- CompactPCI signalling



Delivery comprises

Qty	Description
1	19" compatible power supply height 3 U width A: 8 HP depth 171.93 mm (160 mm board depth) connector P 47 front panel with handles and EMC sealing fitted

Order Information

Voltage V	Current A	Power W	Description	Part no.
V ₁ : 5	I ₁ : 40	250	CPCI 250 AC	13100-141
V ₂ : 3.3	I ₂ : 40			
V ₃ : 12	I ₃ : 5.5			
V ₄ : -12	I ₄ : 2			

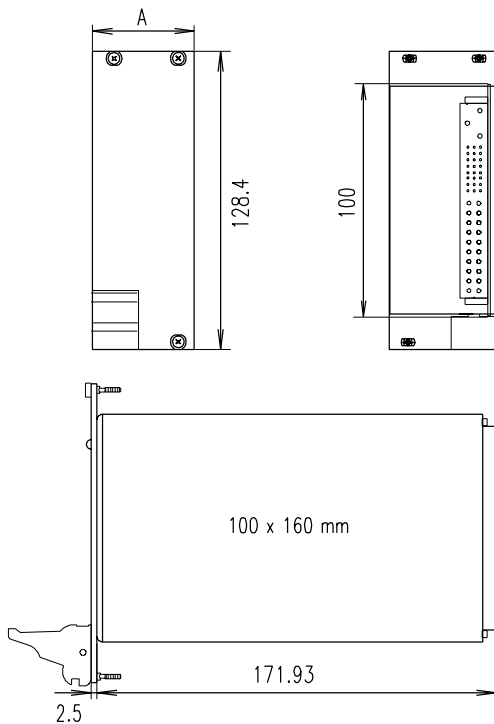
Power backplane with P47 connector 3 U, width 39.6 mm, 1 × slot P 47, 1 piece	23098-105
Power backplane with P47 connector 3 U, width 80.3 mm, 2 × slots P 47 (next to each other), 1 piece	23098-115
Power backplane with P47 connector 6 U, width 39.6 mm, 1 × slot P 47 (at top), 1 piece	23098-116
Power backplane with P47 connector 6 U, width 39.6 mm, 2 × slots P 47 (on top of each other), 1 pce	23098-117
IEEE guide rail, groove width 2.0 mm, with 0.1" offset Standard pack quantity 50 pieces	64560-071

Note

- Output data at T_a = 0 ... 50 °C with forced air cooling of 2 m/s
- 47-pin CompactPCI connector conforming to PICMG 2.11 specification



For further information www.schreff.biz/oneclick
oneClick search code = Part no.



11302052

Power supplies – 19" compatible, AC/DC switched-mode

Quad, 500 W

maxpowerPRO



11308007

- Wide input voltage range
90 ... 264 V_{AC} with Power Factor Correction (PFC)
- 4 output voltages
- Connector P 47
- Redundant operation with Current Share Bus, hot-swap
- CompactPCI signalling

NEW



Delivery comprises

Qty	Description
1	19" compatible power supply height 6 U width A: 8 HP Depth 171.93 mm (160 mm board depth) Connector P 47 Front panel with handles and EMC sealing (textile) fitted

Order Information

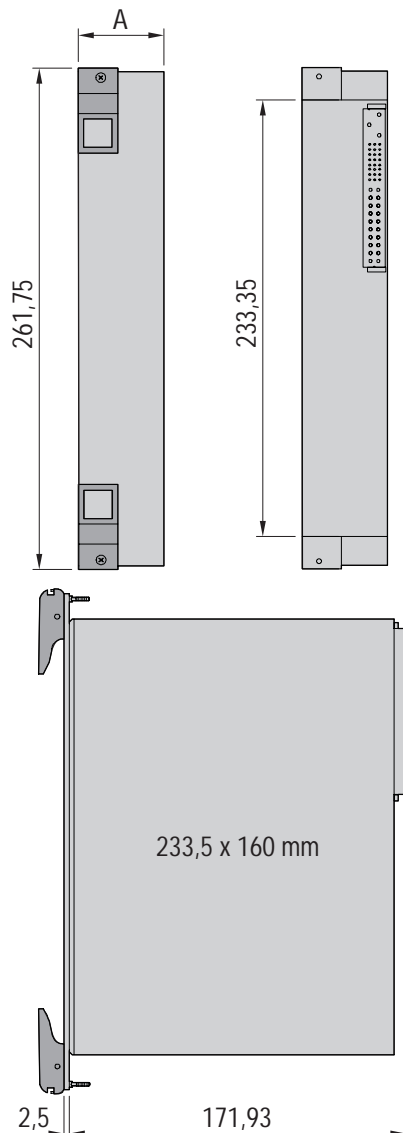
Voltage V	Current A	Power W	Description	Part no.
V ₁ : 5 V ₂ : 3.3 V ₃ : 12 V ₄ : -12	I ₁ : 50 I ₂ : 60 I ₃ : 12 I ₄ : 4	500	CPCI 500 AC	13100-145
Power backplane with P47 connector 6 U, width 39.6 mm, 1 × slot P 47 (at top), 1 piece				23098-116
IEEE guide rail, groove width 2.0 mm, with 0.1" offset				64560-071
Standard pack quantity 50 pieces				

Note

- Output data at T_a = -25 ... 55 °C with forced air cooling of 1.5 m/s
- 47-pin CompactPCI connector conforming to PICMG 2.11 specification



For further information www.schroff.biz/oneclick
oneClick search code = Part no.



11302051

Power supplies – 19" compatible, AC/DC linear-mode

Single, 8 – 60 W



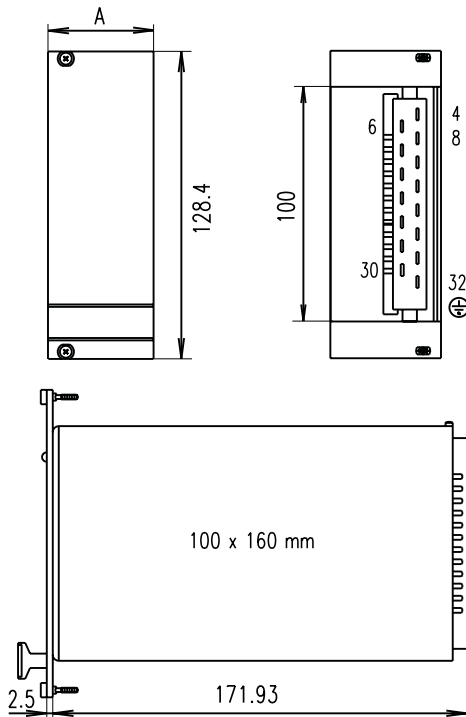
11397001

- Mains/line voltage 230 V_{AC} (can be switched to 115 V_{AC} with mains/line voltage conversion kit)
- High control accuracy, low residual ripple and low interference, suitable for medical applications (8 mm safety gaps)
- PSM, PSG
 - Output voltage can be remote controlled externally (1 ... 10 V)
 - Switching of control curve for sensitive loads (U/I - Fold Back)
 - Current measurement via shunt

CE EN 60950 approved

Delivery comprises

Qty	Description
1	19" compatible power supply height 3 U width A: 6, 10, 14 HP depth 171.93 mm (160 mm deep boards) connector H 15M (assembled) keying/coding peg (assembled)



DJUM0084

Connector pin-out

Pin	PSK single	PSM, PSG single
4	Sense line + V ₁	Sense line + V ₁
6	Output + V	Output + V
8	Output + 0 V ₁	Output + 0 V ₁
10	Sense line 0 V ₁	Sense line 0 V ₁
12	–	Optional: redundancy diode
14	–	External on/off
16	–	GND
18	–	V remote input + V _c
20	–	V-shunt + V _s
22	–	V-shunt – V _s
24	–	–
26	–	–
28	L	L
30	N	N
32	PE ⊕	PE ⊕

Order Information

Voltage V	Current A	Power W	Width HP	Description	Part no.
5	1.5	8	6	PSK 105	13105-001
5	4	20	10	PSM 105	13105-006
5	6	30	14	PSG 105	13105-011
12	1.1	13	6	PSK 112	13105-002
12	2.8	31	10	PSM 112	13105-007
12	4.2	50	14	PSG 112	13105-012
15	1	15	6	PSK 115	13105-003
15	2.2	33	10	PSM 115	13105-008
15	3.5	53	14	PSG 115	13105-013
24	0.6	16	6	PSK 124	13105-004
24	1.5	36	10	PSM 124	13105-009
24	2.5	60	14	PSG 124	13105-014
Front panel for PSK 6 HP, 1 piece					21005-475
Front panel for PSM 10 HP, 1 piece					21005-473
Front panel for PSG 14 HP, 1 piece					21005-474
EMC contact strip 3 U, 97 mm, stainless steel, two pieces necessary per front panel, PU 10 pieces					21101-705
Connector H 15 F FASTON connection, 1 piece					69001-733
Coding PU (1 keying/coding strip, 2 pieces keying/coding pins)					60800-123
Mains voltage conversion kit 230 V to 115 V, 1 piece					43105-999

Note

- Please order front panel separately (Al, front anodised, rear iridescent green chromated, with vertical grooves for EMC sealing, incl. assembly kit)
- PSK without case
- Output data at T_a = 0 ... 50 °C
- Further accessories see page 9.21

Power supplies – 19" compatible, AC/DC linear-mode

Dual, 10 – 58 W



11300001

- Mains/line voltage 230 V_{AC} (can be switched to 115 V_{AC} with mains/line voltage conversion kit)
- 2 output voltages, galvanically separated
- High control accuracy, low residual ripple and very low interference
- Suited for medical applications (8 mm safety clearances)

CE EN 60950
approved

Delivery comprises

Qty	Description
1	19" compatible power supply Height 3 U Width A: 6, 10, 14 HP Depth 171.93 mm (160 mm board depth) Connector H 15M Coding strip (fitted)

Order Information

Voltage V	Current A	Power W	Width HP	Description	Part no.
V ₁ : 5 V ₂ : 5	I ₁ : 1.4 I ₂ : 1.4	14	10	PSM 205	13105-021
V ₁ : 12 V ₂ : 12	I ₁ : 0.4 I ₂ : 0.4	10	6	PSK 212	13105-017
V ₁ : 12 V ₂ : 12	I ₁ : 1 I ₂ : 1	24	10	PSM 212	13105-022
V ₁ : 12 V ₂ : 12	I ₁ : 1.5 I ₂ : 1.5	36	14	PSG 212	13105-027
V ₁ : 15 V ₂ : 15	I ₁ : 0.4 I ₂ : 0.4	12	6	PSK 215	13105-018
V ₁ : 15 V ₂ : 15	I ₁ : 1 I ₂ : 1	30	10	PSM 215	13105-023
V ₁ : 15 V ₂ : 15	I ₁ : 1.5 I ₂ : 1.5	45	14	PSG 215	13105-028
V ₁ : 24 V ₂ : 24	I ₁ : 1.2 I ₂ : 1.2	58	14	PSG 224	13105-029

Front panel for PSK 6 HP, 1 piece **21005-476**

Front panel for PSM 10 HP, 1 piece **21005-477**

Front panel for PSG 14 HP, 1 piece **21005-478**

EMC contact strip 3 U, 97 mm, stainless steel, two pieces necessary per front panel, PU 10 pieces **21101-705**

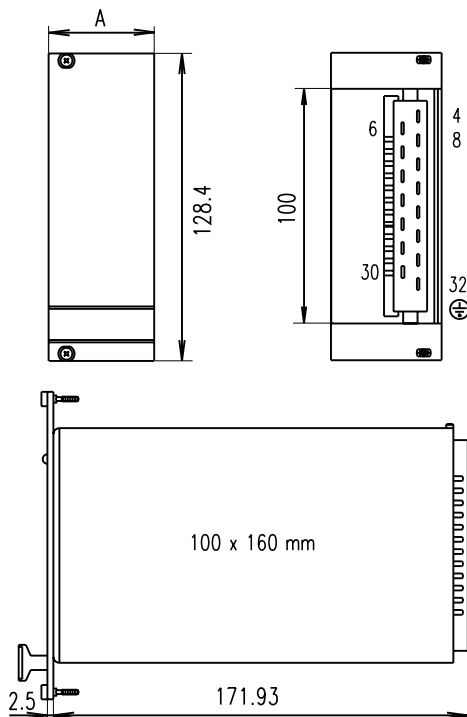
Connector H 15 F FASTON connection, 1 piece **69001-733**

Coding PU (1 keying/coding strip, 2 pieces keying/coding pins) **60800-123**

Mains voltage conversion kit 230 V to 115 V, 1 piece **43105-999**

Note

- Please order front panel separately (Al, front anodised, rear iridescent green chromated, with vertical slots for EMC sealing, incl. assembly kit)
- PSK without case
- Output data at T_a = 0 ... 50 °C
- Further accessories see page 9.21



DJUM0084

Connector pin-out

Pin	Connection
4	Sense line + V ₁
6	Output + V ₁
8	Output 0 V ₁
10	Sense line 0 V ₁
12	Sense line + V ₂
14	Output + V ₂
16	Output 0 V ₂
18	Sense line 0 V ₂
20	–
22	–
24	–
26	–
28	L
30	N
32	PE ⊕

Power supplies – 19" compatible, AC/DC linear-mode

Triple, 7 – 39 W



11300002

- Mains/line voltage 230 V_{AC} (can be switched to 115 V_{AC} with mains/line voltage conversion kit)
- 3 output voltages, galvanically separated
- High control accuracy, low residual ripple and very low interference
- Suited for medical applications (8 mm safety clearances)

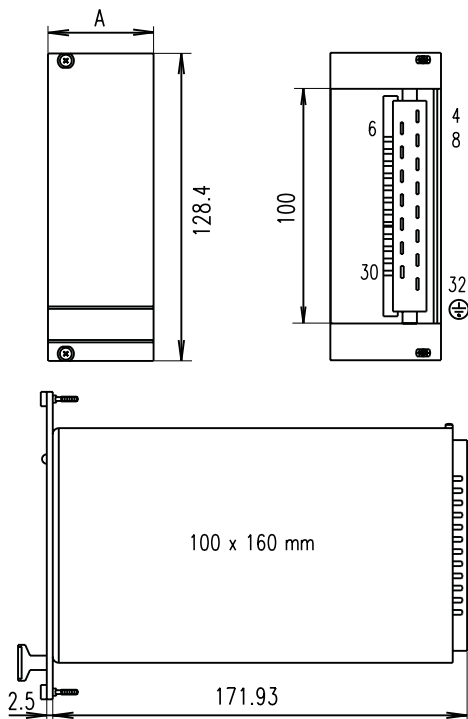
CE EN 60950
approved

Delivery comprises

Qty	Description
1	19" compatible power supply height 3 U width A: 6, 10, 14 HP depth 171.93 mm (160 mm board depth) connector H 15M coding strip (fitted)

Order Information

Voltage V	Current A	Power W	Width HP	Description	Part no.
V ₁ : 5 V ₂ : 12 V ₃ : 12	I ₁ : 0.5 I ₂ : 0.2 I ₃ : 0.2	8	6	PSK 312	13105-051
V ₁ : 5 V ₂ : 12 V ₃ : 12	I ₁ : 1.5 I ₂ : 0.5 I ₃ : 0.5	20	10	PSM 312	13105-052
V ₁ : 5 V ₂ : 12 V ₃ : 12	I ₁ : 3 I ₂ : 1 I ₃ : 1	39	14	PSG 312	13105-053
Front panel for PSK 6 HP, 1 piece					21005-470
Front panel for PSM 10 HP, 1 piece					21005-451
Front panel for PSG 14 HP, 1 piece					21005-439
EMC contact strip 3 U, 97 mm, stainless steel, two pieces necessary per front panel, PU 10 pieces					21101-705
Connector H 15 F FASTON connection, 1 piece					69001-733
Coding PU (1 keying/coding strip, 2 pieces keying/coding pins)					60800-123
Mains voltage conversion kit 230 V to 115 V, 1 piece					43105-999



DJM0084

Connector pin-out

Pin	Connection
4	Sense line + V ₁ (PSM, PSG)
6	Output + V ₁
8	Output 0 V ₁
10	Sense line 0 V ₁ (PSM, PSG)
12	Output + V ₂
14	Output 0 V ₂
16	Output + V ₃
18	Output 0 V ₃
20	Data save
22	Power failure
24	0 V for pin 20, 22
26	–
28	L
30	N
32	PE ⊕

Note

- Please order front panel separately (Al, front anodised, rear iridescent green chromated, with vertical slots for EMC sealing, incl. assembly kit)
- PSK without case
- Output data at T_a = 0 ... 50 °C
- Further accessories see page 9.21



For further information www.schroff.biz/oneclick
oneClick search code = Part no.

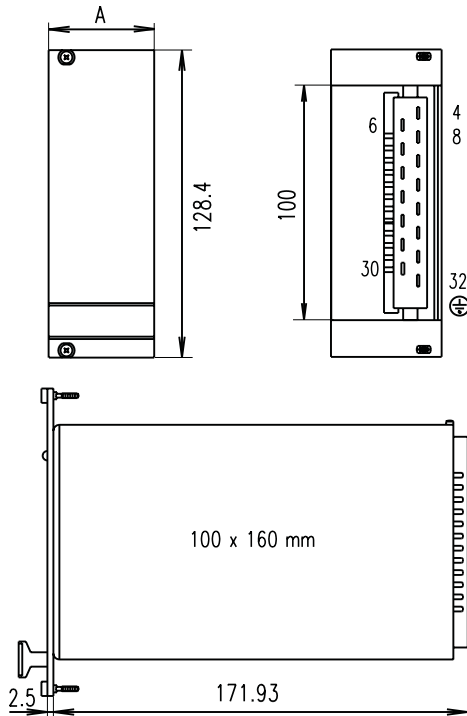
Power supplies – 19" compatible, DC/DC converter

Single, 100 W

coolpower



11301001



DJM0084

Connector pin-out

Pin	5, 12, 15 V Connection
4	Output + V ₁
6	Output + V ₁
8	Sense line + V ₀
10	Sense line 0V V ₁
12	Output 0V V ₁
14	Output 0V V ₁
16	
18	
20	
22	Internally engaged
24	Output OK
26	Ext. ON/OFF*
28	+V _E
30	0V V _E
32	PE ⊕

Pin	24 V Connection
4	
6	Output + 24 ... 30 V via diode
8	
10	Output 0 V
12	Output 0 V
14	Output 0 V
16	Internally engaged
18	Internally engaged
20	Internally engaged
22	Internally engaged
24	
26	
28	+V _E
30	0V V _E
32	PE ⊕

- Wide input voltage range 20 ... 72 V_{DC}
- High performance: 100 W at 6 HP
- 1 output voltage, built-in redundancy diode
- External ON/OFF
- Electrical isolation between primary and secondary circuit
- Passive Current Share Bus



Delivery comprises

Qty	Description
1	19" compatible power supply height 3 U width A: 6 HP depth 171.93 mm (160 mm board depth) connector H 15M coding strip (fitted)

Order Information

Voltage V	Current A	Power W	Description	Part no.
5 ¹⁾	20	100	CPDC 105	13103-002
12 ¹⁾	8.5	102	CPDC 112	13103-003
15 ¹⁾	6.7	100	CPDC 115	13103-004
24 ²⁾	4.5	108	CPDC 212	13103-007

1) Front panel 6 HP, Al, front anodised, rear iridescent green chromated, with vertical slots for EMC sealing, incl. assembly kit, 1 piece **21006-955**

2) Front panel 6 HP, Al, front anodised, rear iridescent green chromated, with vertical slots for EMC sealing, incl. assembly kit, 1 piece **21006-956**

EMC contact strip 3 U, 97 mm, stainless steel, two pieces necessary per front panel, PU 10 pieces **21101-705**

Connector H 15 F FASTON connection, 1 piece **69001-733**

Coding PU (1 keying/coding strip, 2 pieces keying/coding pins) **60800-123**

Note

- Please order front panel separately
- Power supply with CPDC 212, dual output voltages 24, 30 V (2 x 12 V, 2 x 15 V)
- Front panel for 13103-007: 21006-956
- For higher input voltages (100 ... 360 V_{DC}) see maxpower Single, page 9.4
- Further accessories see page 9.21



For further information www.schroff.biz/oneclick
oneClick search code = Part no.

Power supplies – 19" compatible, DC/DC converter

Dual, 100 W

coolpower



11302003

- Wide input voltage range 20 ... 72 V_{DC}
- High performance: 100 W at 6 HP
- 2 output voltages (or 1 output voltage 24 – 30 V via internal redundancy diode V₁D)
- Electrical isolation between primary and secondary circuit



Delivery comprises

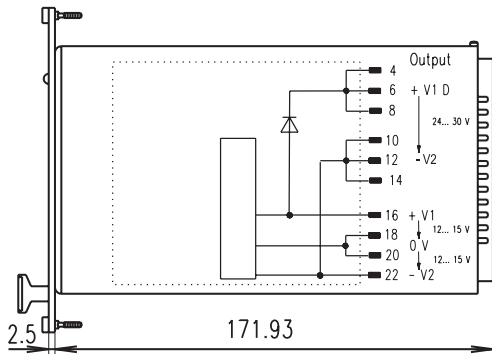
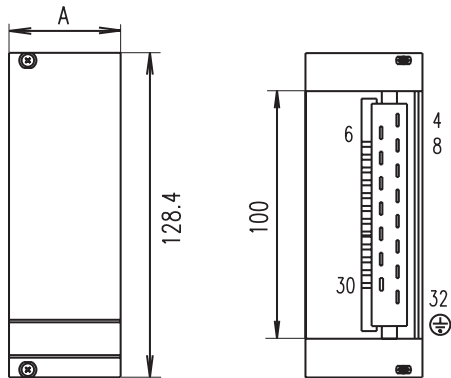
Qty	Description
1	19" compatible power supply height 3 U width A: 6 HP depth 171.93 mm (160 mm board depth) connector H 15M coding strip (fitted)

Order Information

Voltage min. ... max.	Current A	Power W	Description	Part no.
V ₁ : 12 ... 15 V ₂ : 12 ... 15	I ₁ : 4.5 I ₂ : 4.5	108	CPDC 212	13103-007
Front panel 6 HP, Al, front anodised, rear iridescent green chromated, with vertical slots for EMC sealing, incl. assembly kit, 1 piece				21006-956
EMC contact strip 3 U, 97 mm, stainless steel, two pieces necessary per front panel, PU 10 pieces				21101-705
Connector H 15 F FASTON connection, 1 piece				69001-733
Coding PU (1 keying/coding strip, 2 pieces keying/coding pins)				60800-123

Note

- Please order front panel separately
- 1 output voltage via output pins V₁D 24 V ... 30 V, I₁D 4.5 A, 108 W
- Output data at T_a = 50 °C
- Adjustment range 12 V ... 15 V
- For higher input voltages (100 ... 360 V_{DC}) see maxpower Dual, page 9.7
- Further accessories see page 9.21



11302053

Connector pin-out

Pin	Connection
4	Output + V ₁ D
6	Output + V ₁ D
8	Output + V ₁ D
10	Output – V ₂
12	Output – V ₂
14	Output – V ₂
16	Output + V ₁
18	Output V ₁ /V ₂ 0 V
20	Output V ₁ /V ₂ 0 V
22	Output – V ₂
24	–
26	–
28	Input +V _i
30	Input 0 V
32	PE ⊕



For further information www.schroff.biz/oneclick
oneClick search code = Part no.

Power supplies – 19" compatible, DC/DC converter

Triple, 100 W

coolpower



11302004

- Wide input voltage range 20 ... 72 V_{DC}
- High performance: 100 W at 6 HP
- 3 output voltages, galvanically separated
- Electrical isolation between primary and secondary circuit
- External ON/OFF



Delivery comprises

Qty	Description
1	19" compatible power supply height 3 U width A: 6 HP depth 171.93 mm (160 mm deep boards) connector H15M (assembled) keying/coding peg (assembled)

Order Information

Voltage min. ... max.	Current A	Power W	Description	Part no.
V ₁ : 5	I ₁ : 10	98	CPDC 312	13103-016
V ₂ : 12 ... 15	I ₂ : 2			
V ₃ : 12 ... 15	I ₃ : 2			

Front panel 6 HP, Al, front anodised, rear colourless chromated, with vertical slots for EMC contact strips, incl. assembly kit, 1 piece **21006-957**

EMC contact strip 3 U, 97 mm, stainless steel, two pieces necessary per front panel, PU 10 pieces **21101-705**

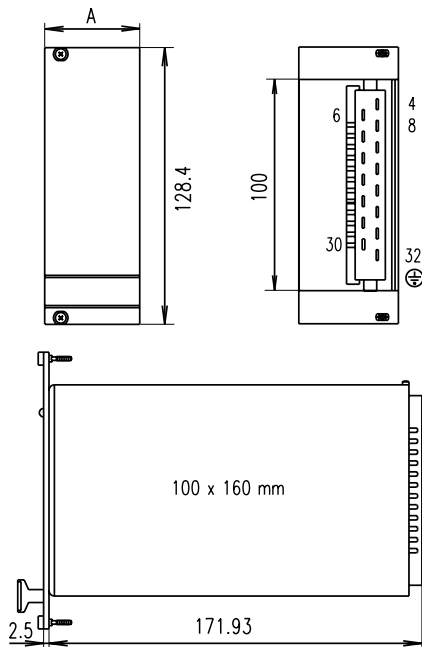
Connector H 15 F FASTON connection, 1 piece **69001-733**

Coding PU (1 keying/coding strip, 2 pieces keying/coding pins) **60800-123**

Note

- Please order front panel separately
- Output data at T_a = 50 °C
- Adjustment range V₂, V₃ 12 ... 15 V
- Input voltage 100 ... 360 V_{DC} see maxpower Triple, page 9.8
- Further accessories see page 9.21

DJUM0084



Connector pin-out

Pin	Connection
4	Output + V
6	Output + V ₁
8	Sense line + V ₂
10	Sense line V ₁ 0 V
12	Output V ₁ 0 V
14	Output V ₁ 0 V
16	Output + V ₂
18	Output V ₂ 0 V
20	Output + V ₃
22	Output V ₃ 0 V
24	–
26	External ON/OFF
28	Input +V _i
30	Input 0 V
32	PE ⊕



For further information www.schroff.biz/oneclick
oneClick search code = Part no.

Power supplies – 19" compatible, DC/DC converter

Quad, 250 W

maxpowerPRO



- Input voltage 48 V_{DC} (36 ... 75 V_{DC})
- 4 output voltages
- Connector P 47
- Redundant outputs with Current Share Bus (CSB), hot-swap
- CompactPCI signalling



Delivery comprises

Qty	Description
1	19" compatible power supply height 3 U width A: 8 HP depth 171.93 mm (160 mm board depth) connector P 47 front panel with handle and EMC contact strips (fitted)

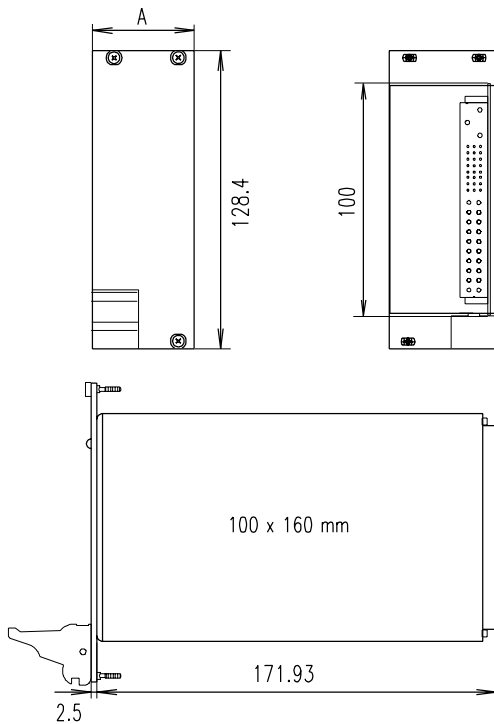
Order Information


Voltage V	Current A	Power W	Description	Part no.
V ₁ : 5	I ₁ : 40	250	CPCI 250 DC	13100-142
V ₂ : 3.3	I ₂ : 40			
V ₃ : 12	I ₃ : 5.5			
V ₄ : -12	I ₄ : 2			

Power backplane with P47 connector 3 U, width 39.6 mm, 1 × slot P 47, 1 piece	23098-105
Power backplane with P47 connector 3 U, width 80.3 mm, 2 × slots P 47 (next to each other), 1 piece	23098-115
Power backplane with P47 connector 6 U, width 39.6 mm, 1 × slot P 47 (at top), 1 piece	23098-116
Power backplane with P47 connector 6 U, width 39.6 mm, 2 × slots P 47 (on top of each other), 1 pce	23098-117
IEEE guide rail, groove width 2.0 mm, with 0.1" offset Standard pack quantity 50 pieces	64560-071

Note

- Output data at T_a = 0 ... 50 °C, with forced air cooling of 2 m/s
- 47-pin CompactPCI connector conforming to PICMG 2.11 specification



 **For further information www.schroff.biz/oneclick**
oneClick search code = Part no.

Power supplies – 19" compatible, DC/DC converter

Quad, 400 W

maxpowerPRO



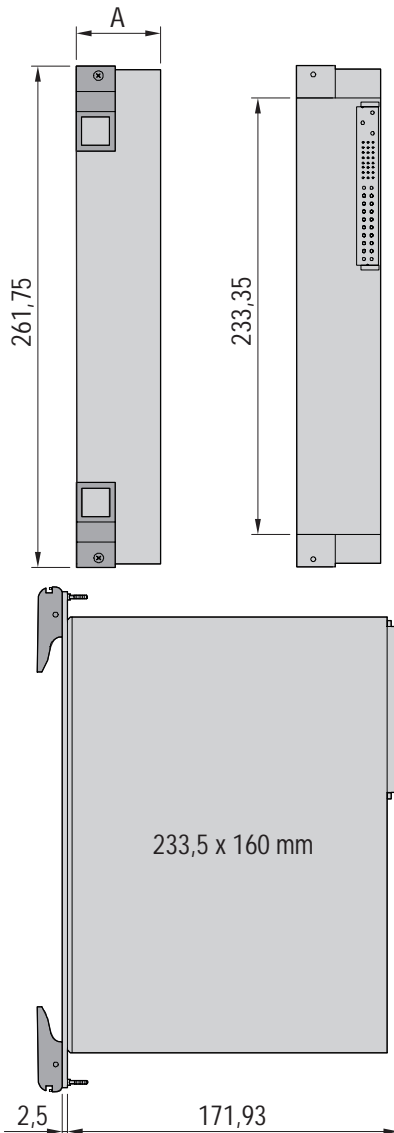
11303002

- Input voltage range 48 V_{DC} (36 ... 72 V_{DC})
- 4 output voltages
- Connector P 47
- Redundant outputs with Current Share Bus (CSB), hot-swap
- Compact PCI signalling

CE **UL** **CompactPCI®**

Delivery comprises

Qty	Description
1	19" compatible power supply height 3 U width A: 8 HP depth 171.93 mm (160 mm deep boards) connector P 47 (assembled) front panel with handles and EMC contact strip (assembled)



11302051

Order Information

Voltage V	Current A	Power W	Description	Part no.
V ₁ : 5 V ₂ : 3.3 V ₃ : 12 V ₄ : -12	I ₁ : 50 I ₂ : 80 I ₃ : 7.5 I ₄ : 1.5	400	CPCI DC-6U-400	11098-220
			Power backplane with P47 connector 6 U, width 39.6 mm, 1 × slot P 47 (at top), 1 piece	23098-116
			IEEE guide rail, groove width 2.0 mm, with 0.1" offset	64560-071
Standard pack quantity 50 pieces				

Note

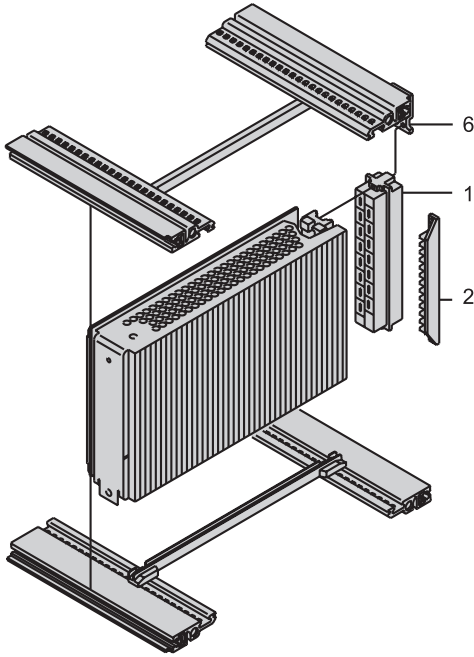
- Output data at T_a = -10 ... 55 °C with forced air cooling of 2 m/s
- 47-pin CompactPCI connector conforming to PICMG 2.11 specification



For further information www.schroff.biz/oneclick
oneClick search code = Part no.

Power supplies – 19" compatible, accessories

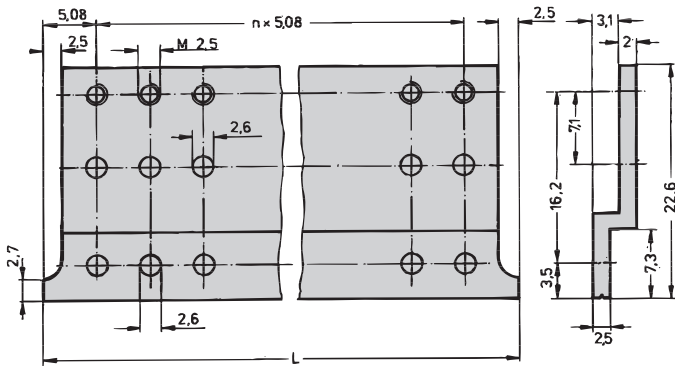
Accessories



PSA45379

- Z-rail (item 6)
- Mating connector H 15 F (item 1)
- Keying/coding (item 2)
- Wall/horizontal rail mounting

Z-rail, 4 HP



A3-420

- For fixing the mating connector H 15 F onto the rear horizontal rail (item 6)
- Serves to create the standard mounting depth of the power supplies

Order Information

Description	Qty/PU	Part no.
Z-rail, 4 HP (20.32 mm)	1	30822-166

Note

- Two Z-rails are required per connector

Connector H 15 F



05592018

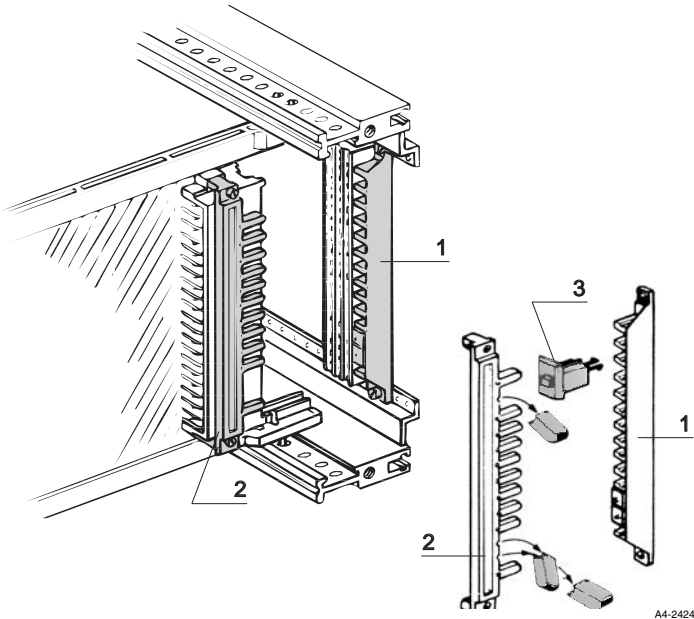
- Connector EN 60603 (DIN 41612) H15 F for 6.3 mm FASTON
- In 19" power supply units the H15 male connector is fitted, PIN 32 with capacitive earthing contact
- Compatible with connector H15 M of e.g. 19" plug-in equipment

Order Information

Item	Description	Qty/PU	Part no.
1	Connector H 15 F, wiring with FASTON connector 6.3 x 0.8 mm	1	69001-733

Power supplies – 19" compatible, accessories

Keying/coding



A4-2424

- Mechanical keying/coding prevents the mounting of a power supply at an incorrect slot position, required space 4 U
- Keying/coding
 - Female strip (item 2), fixed on power supply (except slimpower, maxpowerPRO)
 - Fixing of keying/coding pin female strip (item 1) on Z-/horizontal rail
 - Assembly of keying/coding pins (item 3) into keying/coding strip (item 1)
 - Removal of noses at relevant position on the female strip
- 66 keying/coding possibilities with 2 keying/coding pins

Order Information

Description	Part no.
1 piece keying/coding strip, Crastin (UL 94 V-0) 1 piece, 2 pieces keying/coding pins, Crastin (UL 94 V-0)	60800-123



For further information www.schroff.biz/oneclick
oneClick search code = Part no.

Wall/horizontal rail installation



11395007

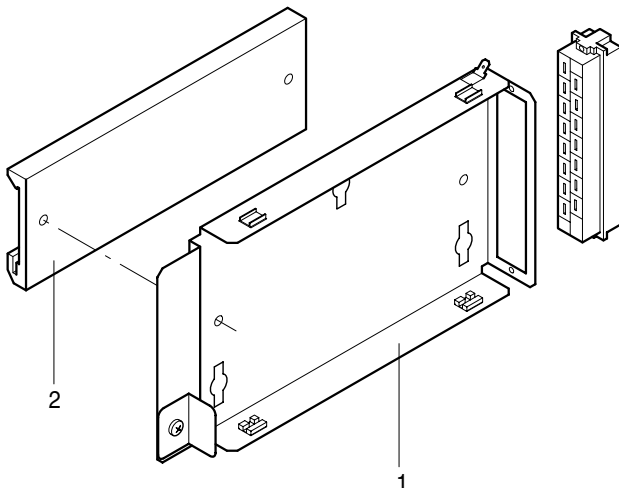
- Suitable for 19" 3 U compatible power supplies
- 2 assembly possibilities:
 - Wall mounting bracket can be mounted in any position using screws; power supply is pushed in
 - Horizontal rail adaptor bracket is screwed onto the wall mounting bracket - the 19" power supply can therefore be clipped onto a horizontal rail

Order Information

Item	Description	Qty/PU	Part no.
1	Wall mounting bracket, St	1	11000-001
2	Horizontal rail adaptor bracket, Al	1	11000-002
Connector H 15 F FASTON connection, 1 piece			69001-733



For further information www.schroff.biz/oneclick
oneClick search code = Part no.



PSA45389

Power supplies – Open Frame, AC/DC switched-mode

Quad 300 W



11408002

- For CompactPCI and VME64x applications
- Wide range input 85 ... 264 V_{AC}
- 4 output voltages
- High performance, efficiency typ. 85 %
- Output power 300 W
- Signalling: Output voltage OK



NEW

Delivery comprises

Qty	Description
1	Open frame power supply, dimensions 36 x 99 x 173 mm; weight 850 g

Order Information

Voltage V	Voltage min. ... max. V	Current A	Power W	Description	Part no.
V ₁ : 5	4.75 ... 5.25	I ₁ : 40	300	EF306-433	11098-316
V ₂ : 3.3	3.14 ... 3.46	I ₂ : 40			
V ₃ : 12	–	I ₃ : 4			
V ₄ : 12	–	I ₄ : 1.5			

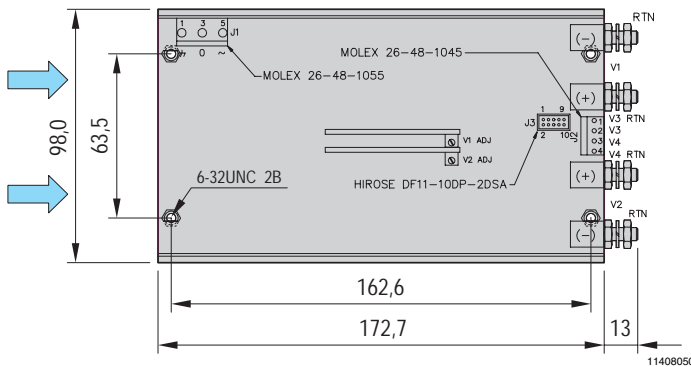
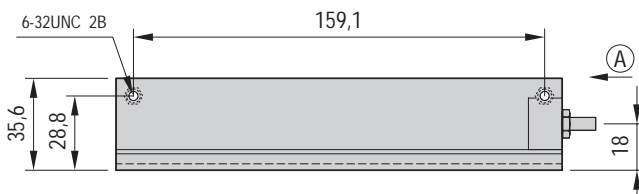
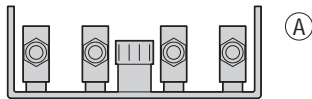
Set of connectors with all input and output plugs, PU 1 kit 21009-039

Note

- Output data at -5 °C ... +50 °C
- Output voltages 5 V and 3.3 V adjustable, W 10 %
- Forced cooling at 2 m/s (230 lfm) required
- With remote-control function Ext. ON/OFF
- With auxiliary supply 5 V/5 mA



For further information www.schroff.biz/oneclick
oneClick search code = Part no.



Power supplies – Open Frame, AC/DC switched-mode

Triple, Quad, 400 W / 600 W



11405001

- For VME and VME64x applications
- Wide range input 85 ... 264 V_{AC}
- 3 or 4 output voltages
- High performance
- Output performance 400/600 W
(600 W at mains/line voltage >180 V_{AC})



Delivery comprises

Qty	Description
1	Open frame power supply, dimensions 64 x 127 x 254 mm

Order Information

Voltage V	Current A	Power W	Description	Part no.
V ₁ : 5 V ₂ : 12 ¹⁾ V ₃ : 12	I ₁ : 60 I ₂ : 10 I ₃ : 4	444 ²⁾	MP4 2E-4LL-00	11098-267
V ₁ : 5 V ₂ : 3.3 V ₃ : 12 ¹⁾ V ₄ : 12	I ₁ : 60 I ₂ : 35 I ₃ : 10 I ₄ : 4	560 ²⁾	MP4 2E-1D-4LL-00	11098-212

Set of connectors with all input/output connectors,
PU 1 kit **21009-038**

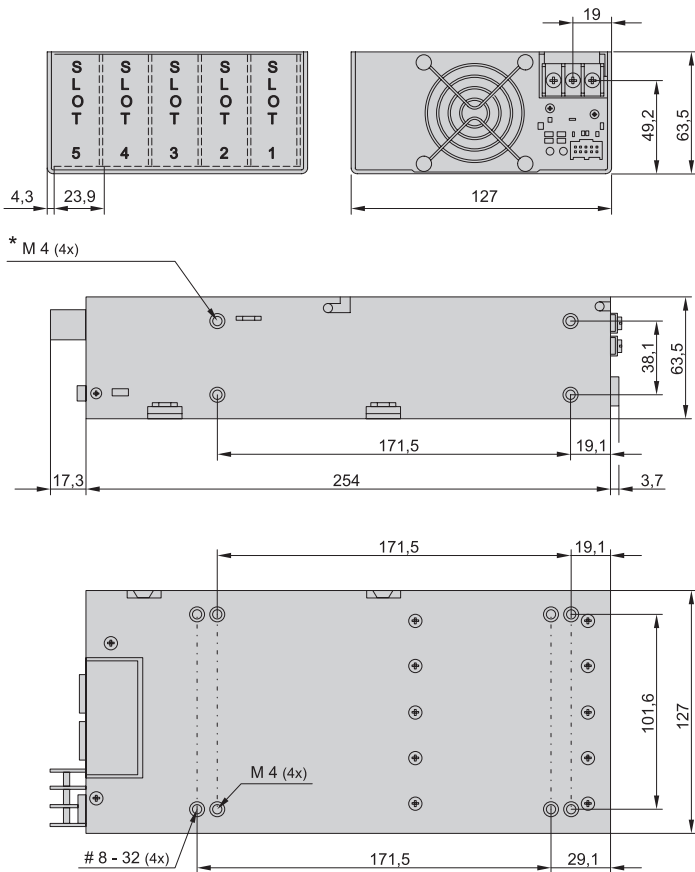
- 1) 10 % base load necessary, sum of 12 V outputs max. 144 W
2) Power max. 600 W at 85 V_{AC} ... 180 V_{AC}

Note

- Output data at -20 °C ... +50 °C
- Input: AC 85 ... 264 V (47 ... 440 Hz), DC 120 ... 350 V
- Output voltages adjustable, W 10 %
- Signalling: Input OK, DC output OK
- Other output voltages available on request



For further information www.schroff.biz/oneclick
oneClick search code = Part no.



11406051

* Assembly holes identical on both sides

Power supplies – Open Frame, AC/DC switched-mode

Triple, Quad, 600 W / 800 W



- For VME and VME64x applications
- Wide range input 85 ... 264 V_{AC}
- 3 or 4 output voltages
- High performance
- Output power 600/800 W
(800 W at high mains voltage >80 V_{AC})



Delivery comprises

Qty	Description
1	Open frame power supply, dimensions 64 x 127 x 280 mm

Order Information

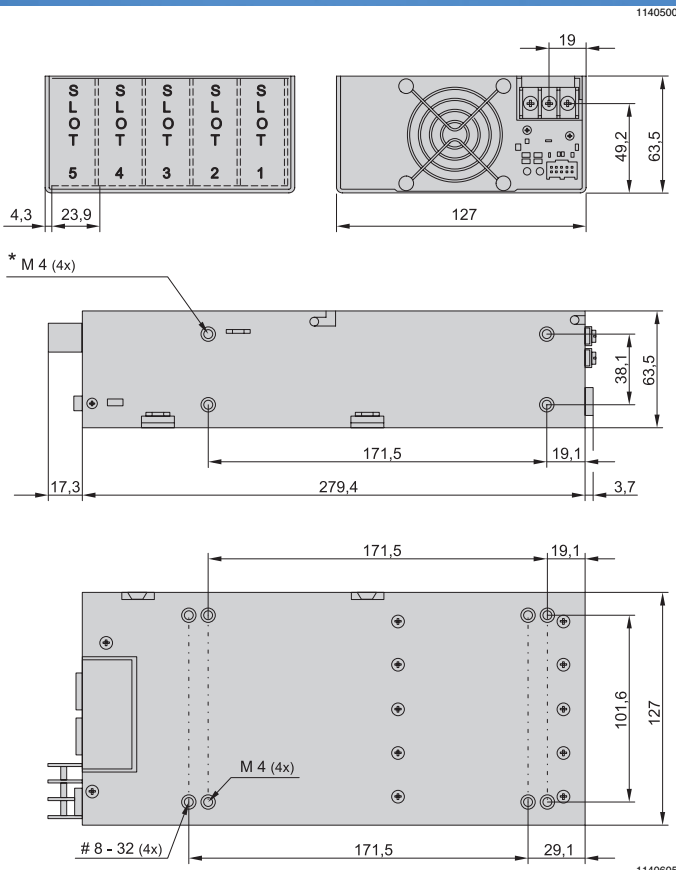
Voltage V	Current A	Power W	Description	Part no.
V ₁ : 5 V ₂ : 12 V ₃ : 12	I ₁ : 120 I ₂ : 17 I ₃ : 17	800 ²⁾	MP6 3E-1L-1L-00	11098-231
V ₁ : 5 V ₂ : 12 ¹⁾ V ₃ : 12	I ₁ : 120 I ₂ : 10 I ₃ : 4	744 ²⁾	MP6 3E-4LL-00	11098-140
V ₁ : 5 V ₂ : 12 V ₃ : 12	I ₁ : 60 I ₂ : 17 I ₃ : 17	708 ²⁾	MP6 2E-1L-1L-00	11098-266
V ₁ : 5 V ₂ : 3.3 V ₃ : 12 ¹⁾ V ₄ : 12	I ₁ : 60 I ₂ : 60 I ₃ : 10 I ₄ : 4	642 ²⁾	MP6 2D-2E-4LL-00	11098-207

Set of connectors with all input/output connectors, PU 1 kit **21009-038**

- 1) 10 % base load necessary, sum of 12 V outputs max. 144 W
2) Power max. 600 W at 85 V_{AC} ... 180 V_{AC}

Note

- Output data at -20 °C ... +50 °C
- Input: AC 85 ... 264 V (47 ... 440 Hz), DC 120 ... 350 V
- Output voltages adjustable, W 10 %
- Signalling: Input OK, DC output OK
- Other output voltages available on request



* Assembly holes identical on both sides



For further information www.schroff.biz/oneclick
oneClick search code = Part no.

Power supplies – Power systems

Power system 150 smart



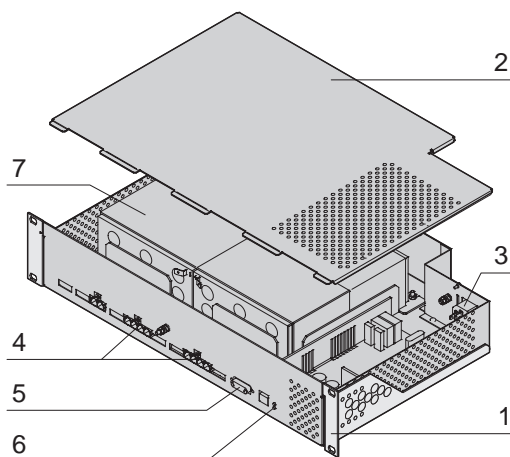
11308003

- 19" DC UPS for supplying telecommunications consumers
- Redundant and uninterruptible DC power supply with battery backup (2 U, 300 mm depth)
- Supply voltage 85 ... 254 V_{AC}, output voltage 48 V_{DC}
- Output power up to 150 W
- Internal battery for a backup time of 2 h
- Operational status signalling via LED display and potential-free relay contacts (mains failure, battery error, door alarm, fault)

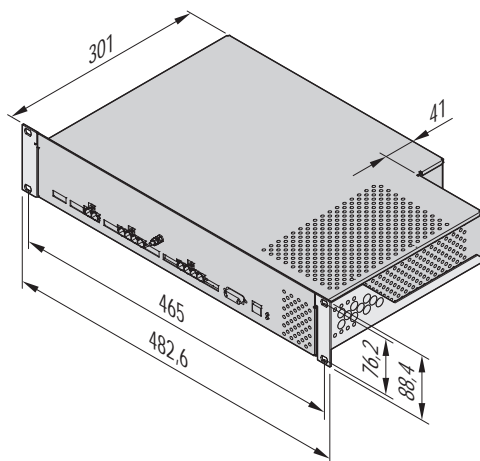
NEW

Delivery comprises

Item	Qty	Description
1	2	19" bracket, depth-adjustable, height 2 U
2	1	Case, height 2 U, width 84 HP, depth 301 mm
3	1	Mains input (socket)
4	2	DC output with fuse
5	1	Signalling
6	2	Operation displays
7	4	Battery, 12 V, 7 Ah



11309050



11308052

Order Information

Description	Part no.
Power system 150 smart with built-in battery	11598-025
Connection cable for connecting the external battery pack, 3 m, 1 piece	61197-063
Output connector cable for the connection of the battery and DC outputs for cable cross-section 4 mm ² , PU 50 pieces	21101-803



For further information www.schroff.biz/oneclick
oneClick search code = Part no.

Power supplies – Power systems

Power system 1400

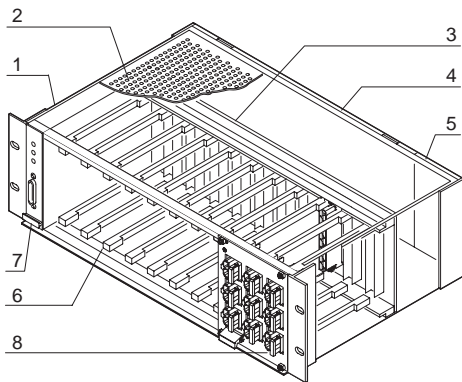


11308002

- Redundant and uninterruptible DC power supply with battery backup
- Supply voltage 230 V_{AC} (195 ... 256 V_{AC}), output voltage 56 V_{DC}
- Output performance 100 to 1400 W, redundant, scalable via number of plug-in PSUs (1 to 9 units)
- Connection of up to two external battery sets; buffer time depending on battery capacity > 2 h
- Operational status signalling via LED display and potential-free relay contacts

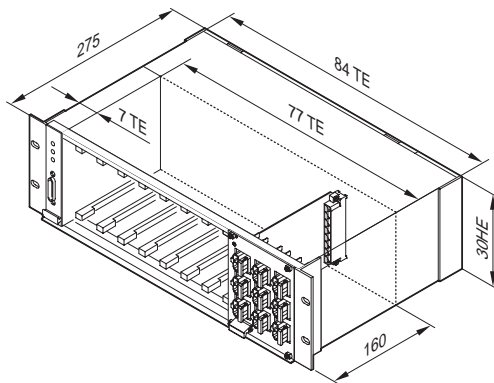
NEW

Delivery comprises



11308051

Item	Qty	Description
1	1	Subrack, height 3 U, width 84 HP, depth 275 mm
2	1	Top cover and base plate, perforated for heat dissipation
3	1	Power bus backplane links all power supply units and logic signals
4	1	Rear panel, partially open
5	1	Mains input with fuse, 3 U / 12 HP (socket)
6	1	Mounting space 3 U/84 HP with guide rails for 1 ... 8 PSUs, (7 HP each, incl. connector H 15) and control unit (7 HP)
7	1	Control unit 3 U/7 HP, performs battery and error management (connector C64)
8	1	Terminal to front, 9 output plugs, individually fused



11308050

Order Information

Description	Part no.
Power system 1400	20836-520
Power supply SEM 148C 3 U, 7 HP, 160 mm deep, output performance 100 W, output voltage 56 V _{DC} , (incl. front panel), 1 piece	13190-022
Power supply SEC 148-200C 3 U, 7 HP, 160 mm deep, output performance 200 W, output voltage 56 V _{DC} , (incl. front panel), 1 piece	13190-051
Front panel, unshielded to cover unused chassis, 1 piece	30838-046
Battery type A 12 V / 35 Ah incl. connecting cable, PU 4 pieces	23207-026
Battery type B 12 V / 50 Ah incl. connecting cable, can be assembled in 19" battery shelf, PU 4 pieces	23207-027
Battery shelf 19" Chassis to accommodate 4 batteries of type B, 1 piece	21197-153
Connection cable for connecting the external battery pack, 3 m, 1 piece	61197-063
Output connector cable for the connection of the battery and DC outputs for cable cross-section 4 mm ² , PU 50 pieces	21101-803
Front connection panel 1 U 84 HP, for front connection of all DC inputs/outputs, 1 piece	23147-005

Note

- Diagnosis software available on request

PS196597



For further information www.schroff.biz/oneclick
oneClick search code = Part no.

Power supplies – ServicePLUS



configuration

Components can be varied and combined freely

Simple. Fast. For the product you want.

- Configurations, based on our standard range of AC/DC or DC/DC converters
 - Number of output voltages
 - Heights, widths, depth
- Online configuration enquiry:
www.schroff.co.uk/configuration



assembly

Front panel and handle mounting

Assembled by professionals. Twice the benefit!

- Front panel mounting
- Further information: www.schroff.co.uk/assembly



modification

Modification of off-the-shelf products

Small changes. Large impact.

- Minor modifications, other set output voltages, protective finishes
- Further information: www.schroff.co.uk/modification



solution

Integration and custom developments

Simple. Fast. From one source.

- Development and design to customer specification; Manufacture of prototypes, pre-production and production series, certification
- Further information: www.schroff.co.uk/solution



academy

Knowledge transfer and partnership

Knowledge. Sharing. Partnerships.

- Training, test reports, user reports, certificates, user manuals for download
- Further information: www.schroff.co.uk/academy



lifecycle

Flexible support throughout the product lifecycle

We are with you. For the entire product life.

- Repair, fast and straightforward, via online RMA form
- Further information: www.schroff.co.uk/lifecycle

Power supplies – ServicePLUS

Application examples



Application: AC/DC switched mode power supply for cost-optimised MicroTCA applications

11309001



Application: AC/DC switched mode power supply for video monitoring systems

11309002



Application: AC/DC switched mode power supply for telecommunications applications

11309003



Application: AC/DC linear regulator for communications systems (defence)

06108006



Application: DC/DC converter for railway applications

06108007



Application: DC/DC converter for (controllable) fans

06101008

Established as one of the best

Worldwide market competence. Local to you.



As a partner for the global electronics industry we are established as one of the best.

As an international company, Schroff takes advantage of the opportunities offered by globalisation. Manufacturing and development locations in Europe, America and Asia make worldwide market competence possible in the first place. Decentralised marketing and distribution networks with over 50 representations worldwide guarantee both closeness to our customers and optimal satisfaction of local market demands.

www.schroff.biz

Clear order information in the catalogue.

Detailed product descriptions on the Internet.

