

# PVS-5120

## 16 Channel H.264 PC Based Wall-mount DVR

NEW



### Features

- H.264 (MPEG4-Part10) hardware compression
- Supports up to 16 channel video input
- Embedded system design for the highest stability
- Real-time display and playback
- All I/O interfaces are in the front
- 3 year warranty
- Powerful remote control functions via IE browser

### Introduction

PVS-5120 is an all-in-one PC based DVR with advanced functions. Wall-mount design offers the flexibility of installation in a rack or on the wall. The high shock resistance helps PVS-5120 endure against adverse circumstances. Up to 16 channel video input with PowerView surveillance kits is an ideal combination for complete high performance video surveillance solutions. The embedded OS on DOM provides better reliability and resistance against virus attack. It supports up to 16ch 480FPS preview and playback with motion detection, PTZ control, and backup video by HDD or DVD  $\pm$ RW DL. It also supports TCP/IP (DHCP/DDNS compatible) for preview and playback with full software functions via Internet/Intranet. The front access I/O interface and expansion slots make it much easier to operate, replace air filter, and maintain while it is installed in an ATM, POS, gaming and other appliances.

### Hardware Specifications

Model	PVS-5120-16HP	PVS-5120-8HP
Video Channels	16	8
Audio Channels	16	8
Chipset	Intel® 945G + ICH7	
CPU	Intel® Pentium® 4, 3.0 GHz, 800 MHz FSB	
RAM	DDR2 667/533 MHz 1 GB (512 MB x 2) Dual Channel	
VGA	Intel® Graphics Media Accelerator 950	
Storage	1 x 3.5" 500 GB SATA HDD (default), Support up to 2 SATA HDDs	
Backup Device	1 x 5.25" SATA DVD $\pm$ RW DL	
Operating System	Microsoft® Windows® XP Embedded (DOM)	
Power Supply	300 W, Single ATX power supply with full range	
Acoustic	Low Noise design on 52db	
Temperature	0 ~ 40° C (32 ~ 104° F)	
Humidity	10 ~ 85% @ 40°C non-condensing	
Dimensions	320 (W) X 164 (H) x 307 (D) mm (12.6" x 6.5" x 12.1")	
Weight	8.3 kg (18.3 lb)	

## Video Function Description

Function	Specification	Description
Monitoring	Status Display	Prompt status display and event lists of systems login/logout, lost frames, camera status, web and remote connection, storage space, backup, sensors, and DO status.
	E-map	E-map layout shows the locations of video cameras, sensors, and alarm devices allowing you to control them; the action simultaneously links to surveillance system. Also provides free tool for e-map edition.
	Event Log Display	Real time display for event list and automatic refresh of video event list in ViewLog.
	Screen Split	Full screen, 1, 4, 9, 10, 13, 16 Sequencer, (Able to change time interval)
	Camera Layout	Ability to assign private to each cameras' name and adjustable font displaying size and color
	Quality Adjustment	Adjustable color control of Hue, Contrast, Brightness, and Saturation for preview, record and playback.
Recording	Resolutions	<ul style="list-style-type: none"> <li>Selectable recording resolutions (CIF, half D1, 4CIF)</li> <li>PAL: CIF (352 x 288), half D1 (704 x 288), 4CIF (704 x 576)/NTSC: CIF (352 x 240), half D1 (704 x 240), 4CIF (704 x 480)</li> </ul>
	Compression Format	H.264 (MPEG4-Part10)
	Recording Modes	Cyclic Recording, Non-Cyclic recording, Event Triggered Recording (motion, alarm), and Scheduled Recording (provides 7 Record modes for assigning private setup)
	Recording Quality	Ability to adjust recording quality
	Recording Frame	Adjustable recording frames of each camera and event
	Motion Detection	Allowing setting multi-zone motion detection and schedulable, Able to adjust motion detection sensitivity (100 degrees), alarm delay time and do scheduling.
	Audio recording	Support 1-8 live audio recording (depending on product line)
	Pre & Post Alarm Recording	Able to adjust pre-alarm and post-alarm recording time (Pre-alarm recording: 10 seconds, post-alarm recording: 100 seconds)
	Video Format	Adjustable Video format (NTSC, PAL)
	Record file length	Adjustable file length for record searching segment
Search & Playback	Playback Speed	Single frame, 1/16x, 1/8x, 1/4x, 1/2x, 1x, 2x, 4x, 8x, 16x, fast forward and rewind
	Playback Mode	Allowing to show up to 16 camera's playback image simultaneously
	Search Mode	<ul style="list-style-type: none"> <li>Allowing searching images by date, time, camera, and event.</li> <li>Calendar and time segment for day and time search.</li> <li>Selectable event time, event type, and camera IDs for event search</li> </ul>
	Smart Search	Able to search archives for incidents. Smart search list
	Image Transfer	<ul style="list-style-type: none"> <li>Able to save image as BMP, JPG and AVI format.</li> <li>Allow to adjust picture brightness, contrast and font displaying before saving and printing.</li> <li>Selectable day and time for video saving or use bookmark time record directly.</li> </ul>
	Bookmark	Able to add plenty time links into bookmark for searching.
Data Storage	Recording time	<ul style="list-style-type: none"> <li>Recording length varies depending on recording quality, resolution, mode and activity</li> <li>Auto continuous recording-- oldest recorded data will automatically be overwritten when hard drive is full</li> </ul>
	Backup	<ul style="list-style-type: none"> <li>Local: HDD/CD-RW/DVD-RW selectable/External USB HDD/CD-RW/DVD-RW</li> <li>Backup mode: Auto (schedulable) and Manual to backup video file</li> <li>CD-Burning function Built-In (Need Nero Burning ROM): able to burn on to an auto run CD/DVD.</li> <li>Able to option Backup Center for remote backup.</li> </ul>
	Storage Path	<ul style="list-style-type: none"> <li>Adjust each storage path of each camera and reserve size.</li> <li>Setup each storage path to automatically delete the oldest file records</li> </ul>
Alarm Notification	Event Action Plan	<ul style="list-style-type: none"> <li>Flexible and multiple event action plan. Able to define multi action taken for event source.</li> <li>Event source: motion detected, sensor triggered, video signal breaks, login failed, system abnormal and backup disk full etc.</li> <li>Event action: DO output, PTZ Control, e-mail sending, SMS notify, video file record, snapshots, phone/mobiles notification, warning sound playing, video group playing and execute certain programs etc</li> </ul>
	E-mail and Phone Notification	<ul style="list-style-type: none"> <li>E-mail notification with attached recording files or snapshot images on any event source like event triggered.</li> <li>E-mail and phone notification on multi event source. (with voice modem option)</li> </ul>
	PTZ activation	Supports setup of Alarm related with PTZ preset location.
	Sensor and DO	Adjustable Sensor and DO layout and schedulable
PowerView RX	Remote Control	<ul style="list-style-type: none"> <li>View live video via Ethernet/Internet</li> <li>Make remote event search, playback, e-map and setup.</li> <li>Monitor 32 cameras from DVRs.</li> </ul>
Network Control	IE Remote Control	<ul style="list-style-type: none"> <li>View live video, event list, PTZ control, and do remote recording, remote playback, remote setting, e-map function and remote snapshot by IE browser</li> <li>Supports 1, 4, 9, 10, 13, 16 screen split</li> </ul>
	View by PDA	Able to view live video by PDA (Pocket PC 2003 or Windows Mobile 5.0 Pocket PC)

Digital Signage

1

Digital Video Solution

2

UbiQ Scenario Control

3

Self-service System Modules

4

## Video Function Description

Operation	User Authority	Multi-level passwords protection and unlimited user accounts for logins and passwords.
	Authority Settings	Set authority by user and by camera ( local and remote monitor, playback, PTZ control, DO and e-map control, Network connecting user numbers and time limited, print and save function control etc.)
	Multi-Tasking	Playback, record, backup , transmit and remote Control simultaneously
	PTZ Control	<ul style="list-style-type: none"> <li>Embedded PTZ control panel: Pan &amp; Tilt, zoom control and preset function.</li> <li>Support most popular PTZ protocol</li> </ul>
	Dynamic IP support	Build –in Web server. Support dynamic IP.
	Language	English, Traditional Chinese
	Watermark	Save as picture with unchangeable digital watermark
	Others	<ul style="list-style-type: none"> <li>Windows lockup</li> <li>Auto DVR login</li> <li>Auto reboot</li> </ul>

## Configure to Order Services

Please visit Advantech CTOS portal for order entry and see "Video Surveillance Solutions".  
<http://buy.advantech.com>

## System Content



Real Time Status Display and Notification



Quick Search by Calendar and Time segment



Intelligent eMap Function



Powerful Remote Control Functions via IE Browser

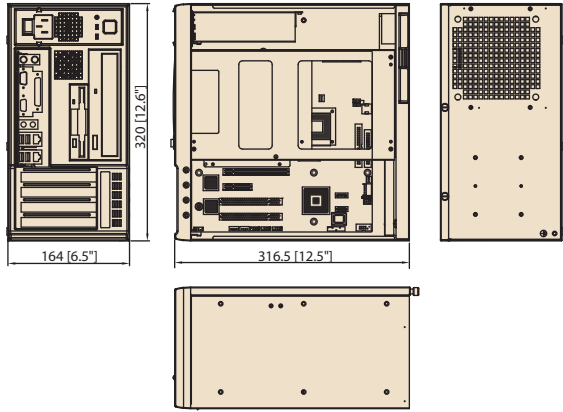
## Ordering Information

Model name	Description	Configuration	Key Parts (default configuration)
PVS-5120-945G-16HP	16CH 2CIF @ 480 fps or D1 @ 240 fps H.264 H/W Encode DVR Platform with Application software	PVS-5120-945GE 2 x PV-2100E	1 x 3.0G Pentium4 2 x 512 DDRII RAM 1 x 500G SATA HDD 1 x DVD±RW DL
PVS-5120-945G-8HP	8CH 2CIF @ 240 fps or D1 @ 120 fps H.264 H/W Encode DVR Platform with Application software	PVS-5120-945GE 1 x PV-2100E	

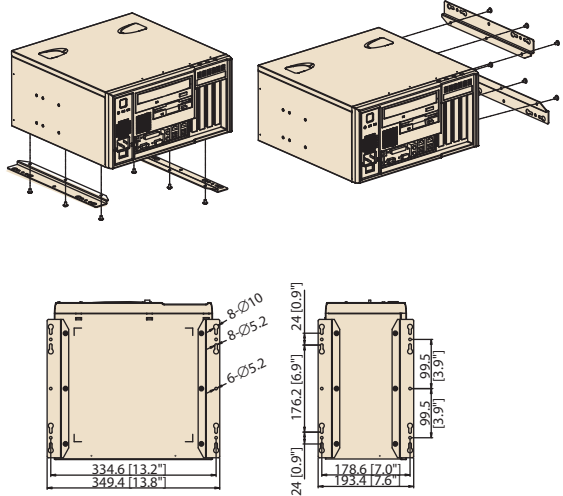
Note: Based on your ordering information, you can change key parts; please refer to CTOS portal: <http://buy.advantech.com>

**Dimension**

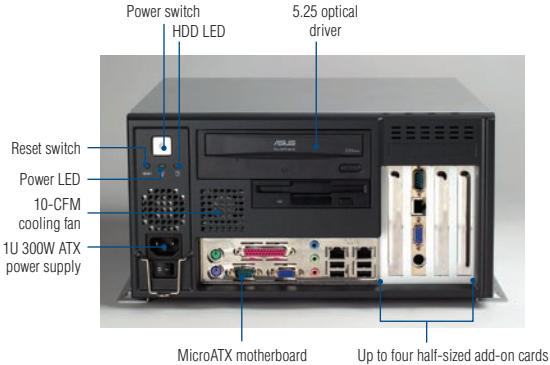
Unit: mm (inch)



**Installation**



**Front View**



The front view of PVS-5120

**Inside View**



Plug ring-lock securely fastens the power cord



Solid disk drive housing & easy-to-maintain fan filter



User-friendly mechanical design for installing an add-on card



Shock-resistant drive bay for holding an internal 3.5" HDD