

POC-S197

19" Slim Point-of-Care Terminal with Intel® Core™2 Duo Processor

NEW



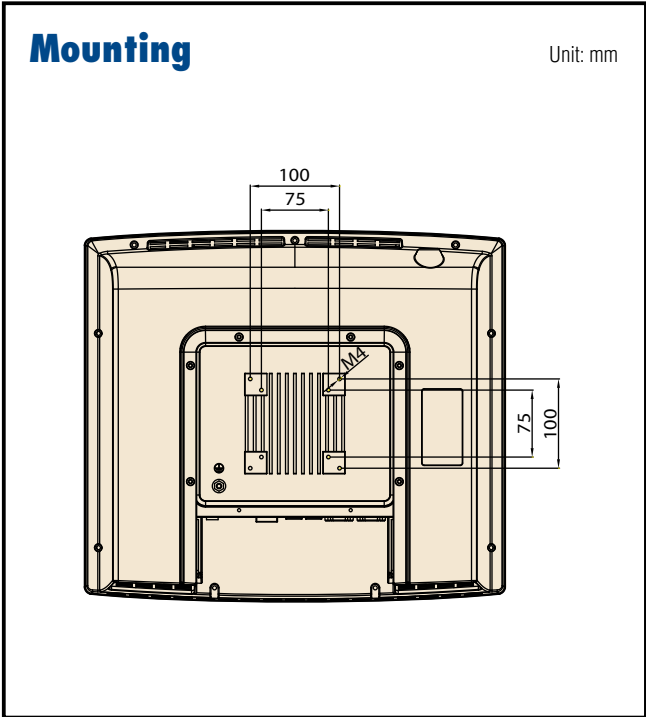
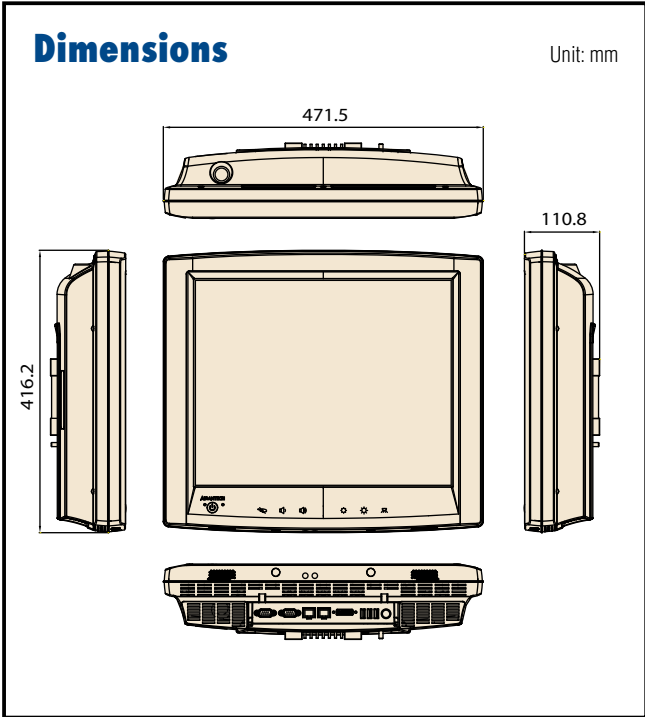
Features

- 19" LCD display with 16.7 M colors
- Intel® Core™2 Duo (low-power) processor
- Fanless design with low audible noise
- Isolated design provides unique electric leakage protection for COM ports and LAN ports
- IPX1 enclosure with additional IP65 dust-tight front panel
- UL60601-1/EN60601-1, CCC, CE & FCC Class B certified
- Optional inner WLAN module

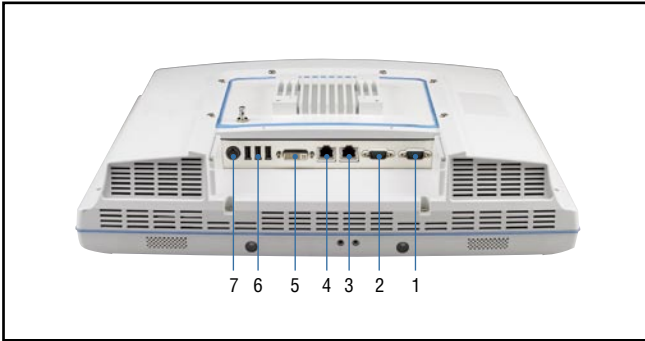


Specifications

| | | |
|--------------------------|------------------------------------|---|
| Computing System | Chipset | Intel GS45 Express Chipset with 82801IUX I/O Controller Hub (ICH9M-SFF) |
| | CPU | Intel Core 2 Duo processor SU9300 (3M Cache, 1.2 GHz, 800 MHz FSB) uFCBGA8 |
| | Front Side Bus | 800 MHz |
| | Memory | 204-pin, DDR3, SODIMM slotsx2 (max. 4 GB), Unbuffered Non ECC |
| Graphics | Controller | Graphics Controller Intel GS45 integrated |
| Expansion Slot | Mini PCI | 1 x Mini PCI slot, supports type IIIA Mini PCI |
| | Mini PCI-E | 1 x Mini PCI-E slot |
| Storage | HDD | 1 x 2.5" SATA device |
| Ethernet | Interface | 2 x Gigabit Ethernet interfaces (RJ-45) |
| I/O Ports | | 2 isolated serial port: RS-232 x 1, RS-232/422/485 x 1 3 USB 2.0 ports MIC-in, Line-out 1 DVI-I video port |
| Speakers | | 2 x 1 W speakers; 1 x MIC-in and 1 x Line/Headphone Out |
| Display | Display Type | 19" TFT LCD. |
| | Max. Resolution | 1280 x 1024 |
| | Max. Colors | 16.7 M |
| | Dot Size (mm) | 0.294 x 0.294 |
| | Viewing Angle | 178/178° |
| | Luminance | 300 cd/m ² |
| | Contrast Ratio | 1300 : 1 |
| | LCD MTBF | 50,000 hours |
| Power Supply | Backlight Lifetime | 50,000 hours |
| | Input Voltage | Universal AC/DC adapter (Sinpro Model no. HPU100-107) 100 ~ 240 V _{AC} , 47 ~ 63 Hz, 1.25 ~ 0.5 A |
| | Output Voltage | +18 V _{DC} , 5.55 A max. (100 watts) |
| Optional Touchscreen | Type | Analog Resistive |
| | Light Transmission | 75% |
| | Controller | RS-232 interface (use COM6) |
| | Durability | 30 million touches |
| Environment | Temperature | 0 ~ 40° C (Operating) |
| | Humidity | 10 ~ 95% @ 40° C (non-condensing) |
| | Shock Resistance | 20 G peak acceleration (11 ms duration) |
| Physical Characteristics | Dimensions (W x D x H) | 471.5 x 416.2 x 110.8 mm (18.56" x 16.38" x 4.34") |
| | Weight | 8.1 kg |
| | Power input | 12-24V wide range DC power input (15 ~ 24 V with battery option) |
| | Cooling Fan Dimensions (L x W x H) | Fanless |
| | Entire system | IPX1 compliant |
| | Certification | CE, FCC Class B certified; UL60601-1, EN60601-1, CCC approved |
| | Mounting | VESA |

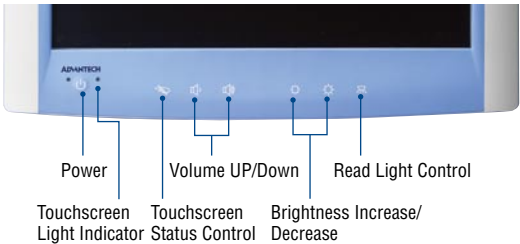


Rear I/O



1. Isolated RS-232/422/485 COM port (COM1)
2. Isolated RS-232 COM port (COM2)
3. 10/100/1000 Mbps Ethernet interface (RJ-45)
4. 10/100/1000 Mbps Ethernet interface (RJ-45)
5. DVI-I port
6. USB 2.0 Ports x 3
7. 4-pin mini-DIN DC connector

Function Keys



Ordering Information

| Part Number | Touch Panel | HDD 24 x 7 | RAM |
|------------------|-------------|------------|-----|
| POC-S197-120-ATE | Res.TS | - | 2G |

Packing List

| Description | Quantity |
|--|----------|
| AC 100W SPS HPU100-107 W/PFC 100-240 | 1 |
| User manual for POC-S197 model 1st Ed | 1 |
| Advantech 2-year warranty card | 1 |
| CD-ROM for POC-S series Driver & Utility | 1 |
| China RoHs report | 1 |

Accessories

| Part Number | Description |
|-------------|--|
| 1702002600 | Power Cable (USA) 1.83M |
| 1702002605 | Power Cable (Europe) 1.8M |
| * | 802.11 b/g/n wireless LAN mini-PCIe module & inner antenna |

*means this accessory will go with T Part Number. Please contact Advantech sales for more details.