

POC-227G

Point of Care Terminal with 22" WSXGA TFT LCD

NEW



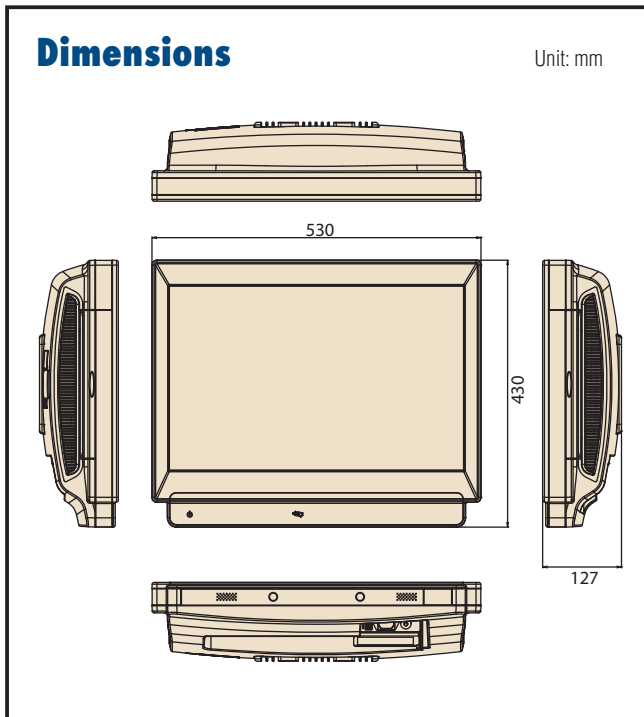
Features

- Intel® Core™2 Duo (low-power) processor
- Fanless design
- P-MVA 22 inch WSXGA+ wide LCD display
- Built-in SAW touchscreen for high transmission quality
- Spill and dust resistant (IPx1) enclosure
- UL60601-1/EN60601-1, CE & FCC Class B certified
- Built-in smart card reader helping verify clinician identification
- Optional DICOM pre-set module
- Optional wireless communications: IEEE 802.11b/g/n WLAN module
- Optional bluetooth, RFID



Specifications

Computing System	Chipset	Intel® GS45 Express Chipset with 82801IUX I/O Controller Hub (ICH9M-SFF)
	CPU	Intel® Core™2 Duo processor SL9400 (6M Cache, 1.86 GHz, 1066 MHz FSB) uFCBGA8
	Front Side Bus	1066 MHz
Graphics	Memory	204-pin, DDR3, SO-DIMM slotsx2 (max. 4GB), Unbuffered Non ECC
	Controller	Graphics Controller Intel GS45 integrated
	Expansion Slot	PCI 1 x mini PCI PCIe 1 x PCIe x4 slot
Storage	HDD	1 x 2.5" SATA (Quick swap)
	Optical Device	1x DVD-RW SATA
Identification		1x Smart card reader (USB Interface)
Ethernet	Interface	2 x Gigabit Ethernet (isolated) interface (RJ-45)
I/O Ports		3 x RS-232(isolated) and 1 x RS232/422/485 (isolated) serial port; 5 x USB 2.0 ports; 1 x IEEE 1394 ports 1 x PS/2 mouse and K/B; 1 x DVI-I VGA port; 1 x Mic-in, 1x Line-out; 1 x service port for DICOM option only (for trained FAE only)
Speakers		2 x 1 W speakers
Display	Display type	22" P-MVA Mode, Normally Black
	Max. Resolution	1680 x 1050
	Max. Colors	16.7M colors (6-bits + HiFRC)
	Dot size (mm)	0.282 x 0.282
	Viewing angle	178°/178°
	Luminance	300 cd/m ²
	Contrast ratio	2000 : 1
Power Supply	LCD MTBF	50,000 hours
	AC Model	Internal power supply
	Input voltage	100 ~ 240 V _{AC} , 4/2 A max. @ 50 ~ 60 Hz
Touch Screen	Output voltage	25 A, +12 V (300 watts)
	Type	SAW TS: Surface Wave
	Resolution	Corresponding to touch pressure; continuous, 4096 x 4096, plus 255 levels
	Light transmission	92%
	Controller	RS-232 interface (use COM 5)
Option Touch Screen	Durability	50 million touches
	Type	Analog Resistive
	Resolution	Continuous
	Light transmission	80%
Optional	Controller	RS-232 interface (use COM 6)
	Durability	36 million touches
	DICOM Module	Bluetooth module; RFID Modules, WLAN modules DICOM pre-set Cool 9300° K color Temperature Neutral 6500° K color Temperature Warm 5400° K color Temperature
	Certification	CE,FCC Class B approved, UL60601-1,EN60601-1 approved
Environment	Temperature	0 ~ 40° C (32 ~ 104° F) (Operating)
	Humidity	10 ~ 95% @ 40° C (non-condensing)
	Shock Resistance	30G peak acceleration (11ms duration)
	Water/dust Resistance	IPX1 compliant
Physical Characteristics	Dimensions (W x H x D)	530 x 430 x 127 mm
	Weight	12. kg
Platform & utility		XP, Windows 7, SUSI



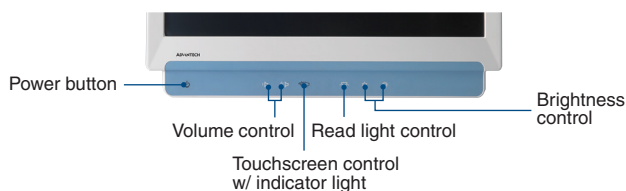
Ordering Information

Part Number	CPU	RAM	Touch Panel	HDD	DICOM
POC-227G-D1A-ATE	SL9400 C2U 1.86G	4 GB	SAW TS	-	-

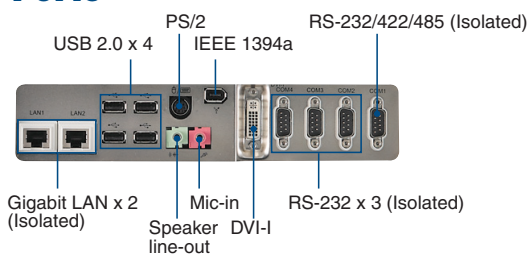
Optional Modules

Part Number	Description
968EMW0026	Wireless 802.11n/b/g
9666022705E	RFID USB module
9666022706E	Bluetooth Module USB

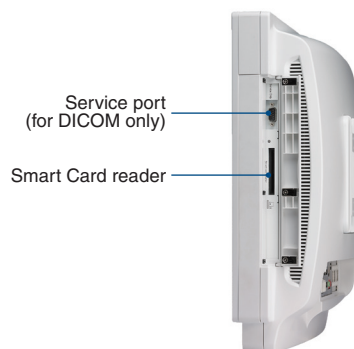
Function Keys



I/O Ports



Right Side I/O



Left Side I/O

