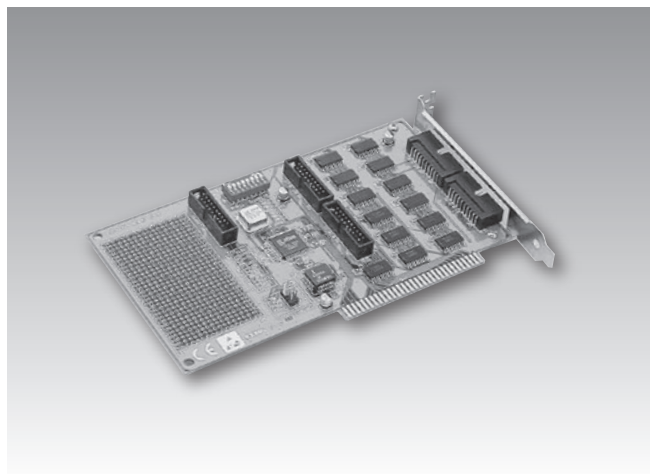


PCL-720+

64-ch Digital I/O and Counter ISA Card



Features

- 32 TTL-level digital input channels
- 32 TTL-level digital output channels
- High-output driving capacity
- Low-input loading
- 3 programmable counter/timer channels
- User configurable clock source
- Breadboard area for custom circuits

Introduction

The PCL-720+ digital I/O and counter card is PC-compatible add-on cards with 32 digital input channels, 32 digital output channels and three programmable counter/timer channels. Their digital I/O channels are TTL-compatible and use 74LS244 driver/ buffer circuits to provide high output driving capacity. These buffered circuits also require lower input loading current than regular TTL circuits. The cards' 8254 programmable counter/timer provides three flexible 16-bit counter/timer channels. You can generate waves and pulses by programming the 8254. Jumper settings determine the clock crystal frequency. The cards also includes a breadboard area perfect for customized circuits.

Specifications

Digital Input

- **Channels** 32
- **Compatibility** 5 V/TTL
- **Input Voltage** Logic 0: 0.8 V max.
Logic 1: 2.0 V min.

Digital Output

- **Channels** 32
- **Compatibility** 5 V/TTL
- **Output Voltage** Logic 0: 0.5 V max.
Logic 1: 2.0 V min.
- **Output Capability** Sink: 0.5 V max @ 24 mA
Source: 2.0 V min. @ 15 mA

Counter/Timer

- **Channels** 3
- **Resolution** 16 bits
- **Compatibility** 5 V/TTL
- **Max. Input Frequency** 1 MHz
- **Reference Clock**
Internal: Selectable 1 MHz, 100 kHz, or 10 kHz base clock
External Clock Frequency: Jumper selectable divider: x2, x1, x0.5, and x0.25
- **Programmable Counter Modes** 6

General

- **Breadboard Area** 540 (30 x 18) plated-through "donuts", each with a .036" hole on 0.10" centers. Further, provide +5 V on the left side, and provide GND on the right side
- **Bus Type** Universal PCI V2.2
- **I/O Connectors** 5 x 20-pin male ribbon-cable connectors
- **Dimensions (L x H)** 185 x 100 mm (7.3" x 4")
- **Power Consumption** Typical: +5 V @ 500 mA
- **Operating Temperature** 0 ~ 60° C (32 ~ 140° F)
- **Storing Temperature** -20 ~ 70° C (-4 ~ 158° F)
- **Storing Humidity** 5 ~ 95% RH, non-condensing (refer to IEC 68-2-3)

Ordering Information

- **PCL-720+** 64-ch TTL Digital I/O Card w/Counter
- **PCL-10120-1** IDC-20 Flat Cable, 1 m
- **PCL-10120-2** IDC-20 Flat Cable, 2 m
- **PCLD-780** 2 x IDC-20 Wiring Terminal
- **PCLD-782** Opto-Isolated D/I Board
- **PCLD-785** 16-ch Relay Output Terminal
- **PCLD-786** SSR and Relay Driver Board
- **PCLD-885** 16-ch Power Relay Output Terminal
- **ADAM-3920** 20-Pin Flat Cable Terminal, DIN-rail Mount