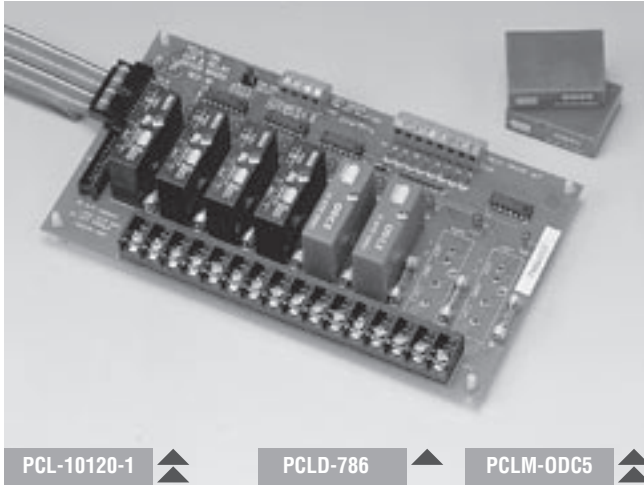


PCLD-786

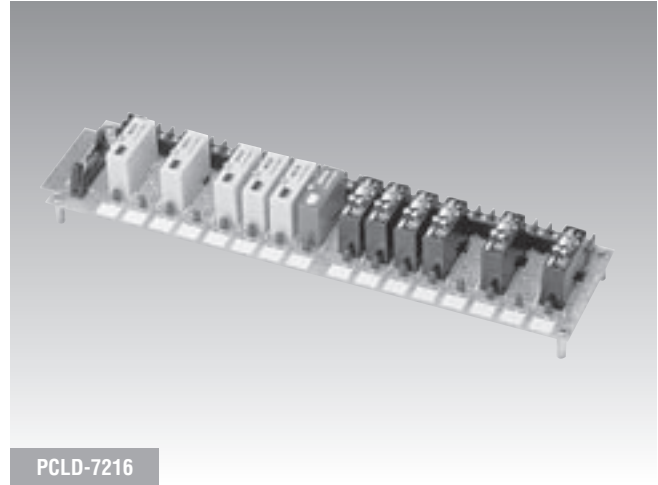
PCLD-7216

8-ch SSR I/O Module Carrier Board

16-ch SSR I/O Module Carrier Board



PCL-10120-1 ▲ PCLD-786 ▲ PCLM-ODC5 ▲



PCLD-7216



Features

- Up to eight AC or DC solid state relay modules
- Photo-coupler isolated operation
- Eight external relay drivers
- LED status indicators

Specifications

AC Solid State Relays

- 1 Cycle Surge** 40 A
- Blocking Voltage** ± 600 V min.
- OFF Leakage Current** 8 mA max.
- ON-state Voltage** 1.6 V max.
- Output Rating** 24 ~ 280 V_{AC} @ 3.0 A
- Turn On** zero volts
- Turn On/Turn Off Time** < 1/2 cycle
- Type** PCLM-OAC5A

DC Solid State Relays

- 1 Second Surge** 5 A
- OFF Leakage Current** 1 mA max.
- ON-state Voltage** 1.4 V max.
- Output Rating** 5 ~ 60 V_{DC} @ 3.0 A
- Turn On/Turn Off Time** 750 μ s max.
- Type** PCLM-ODC5

External Relay Drivers

- Channels** 8 channels
- Coil Driving Voltage** +5 V, +12 V from PC or external source
- Driver Type** ULN2003, open collector type
- Max. Driving Current** 125 mA each channel

General

- Dimensions (L x W)** 205 x 114 mm (8.1" x 4.5")

Ordering Information

- PCLD-786** 8-ch SSR I/O Module Carrier Board, user's manual and one 1 m 20-pin flat cable assembly (P/N: PCL-10120-1)

Note:

PCLD-786 does not include SSRs. They must be ordered by selecting single piece SSR modules according to your requirements.

- PCLM-OAC5A** Single piece AC SSR module (280 V_{AC}, 3 A)
- PCLM-ODC5** Single piece DC SSR module (60 V_{DC}, 3 A)

Features

- Channel status reflected by onboard LED for easy monitoring
- Optically isolated inputs and outputs between computer and field devices
- Onboard fuse protection

Specifications

Module type		Field side		Logic side
Output modules	Part No.	Output voltage rating	Output current rating	Input logic and SSR status
AC output	PCLM-OAC5A	24 ~ 280 V _{AC}	3.0 A _{AC}	TTL low (On)
		12 ~ 280 V _{AC}		TTL high (Off)
DC output	PCLM-ODC5	5 ~ 60 V _{AC}	3.0 A _C	TTL low (On)
				TTL high (Off)
Input modules	Part No.	Input On voltage	Input Off voltage	Output logic & On/Off status
AC input	PCLM-IAC5	90 ~ 140 V _{AC}	< 45 V _{AC}	TTL low (On)
		180 ~ 280 V _{AC}		TTL high (Off)
DC input	PCLM-IDC5B	3 ~ 32 V _{AC}	< 1 V _{AC}	TTL low (On)

Input Modules

- Field Side**
- Input On/Off Voltage Range** IAC5 series: 90 ~ 140 V/45 V_{RMS}
IAC5A series: 180 ~ 280 V/80 V_{RMS}
IDC5B series: 3 ~ 32 V/1 V_{DC}
- Input Resistance** IAC5 series: 14 k Ω , IAC5A series: 44 k Ω ,
IDC5B series: 1.5 k Ω
- Turn on/Off Time** IAC5 series: 20 msec. max., IAC5A series: 20 msec. max.
IDC5B series: 100 msec. max.
- Logic Side**
- Breakdown Voltage** 30 V_{DC}
- Output Current** 100 mA max.
- Output Voltage Drop** 0.4 V max.
- Supply Current** 12 mA max.
- Supply Voltage** 4 ~ 6 V

Output Modules

- Field Side**
- Current Rating** 3 A max. (@ 25° C)
- Contact Voltage Drop** 1.6 V max.
- Turn on/Off Time** OAC series: 1/2 AC cycle max.
ODC series: 100 μ sec/750 μ sec. max.

- Logic Side**
- Input Resistance** 220 Ω
- Supply Voltage** 4 ~ 6 V
- Supply Current** 12 mA max.

General

- Logic side connectors: 50-pin edge connector, Opto-22 compatible
- Dimensions (L x W x H): 367 x 111 x 56 mm (14.4" x 4.4" x 2.2")

Ordering Information

- PCLD-7216** 16-ch SSR I/O Module Carrier Board, one 1.2 m, 50-pin flat cable (PCL-10151-1.2), one 1 m 20-pin flat cable (PCL-10120-1) and user's manual