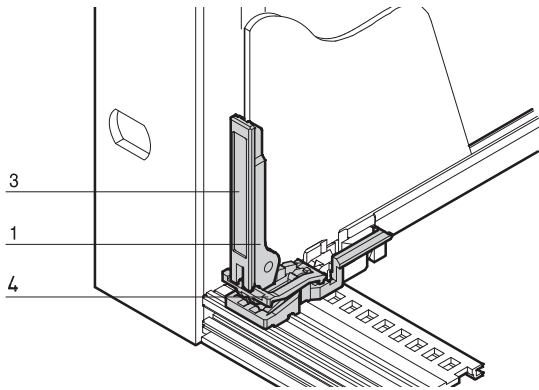


## PCB accessories

### PCB handle C



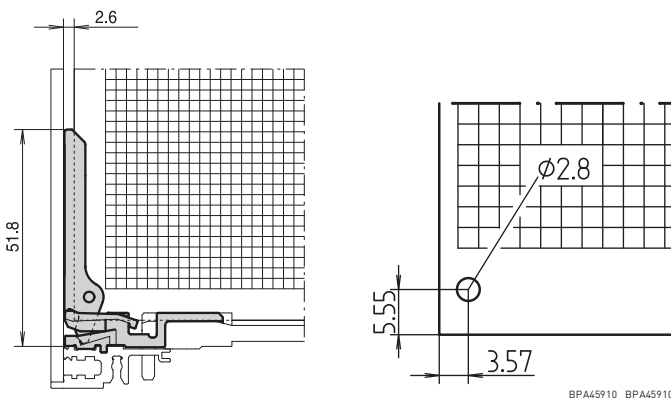
- For europacPRO, multipacPRO, ratiopacPRO, propacPRO and compacPRO
- Mounts behind front panel
- Insertion and extraction
- Can be labelled
- In accordance with IEC 60297-3-102

#### Order Information

Item	Description	Material	Colour	Qty/PU	Part no.
1	PCB handle C	PBT, UL 94 V-0	red	10	<b>24560-378</b>
3	Identification strip (1 sheet = 438 pieces)	Polyester film, white/ self-adhesive	white/ matt	1	<b>60817-228</b>

#### Note

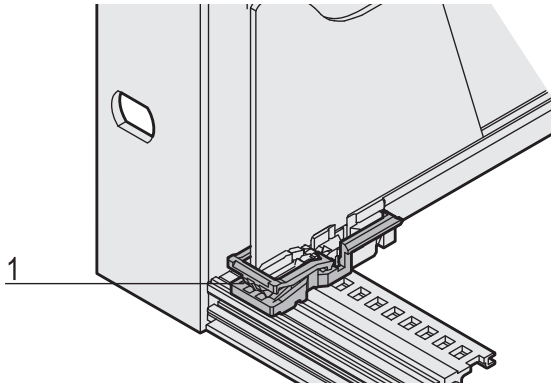
- Minimum spacing of guide rail 3 HP
- for board thickness 1.6 mm
- Please order PCB retainer C separately



BPA45909

BPA45910 BPA45910

### PCB retainer C



- For europacPRO, multipacPRO, ratiopacPRO, propacPRO and compacPRO
- Can also be used without PCB handle
- Application on top and bottom horizontal rail with "accessory" type guide rail

#### Order Information

Item	Description	Material	Colour	Qty/PU	Part no.
1	PCB retainer C	PBT, UL 94 V-0	red	10	<b>24560-377</b>

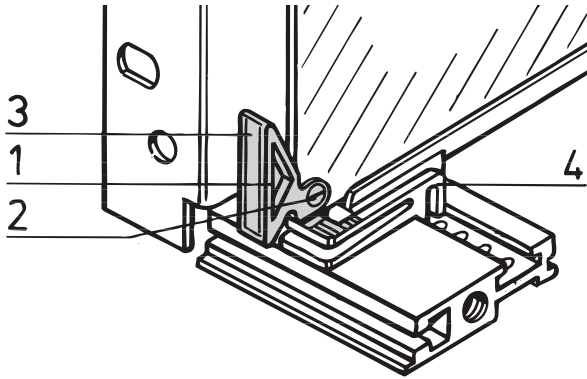
#### Note

- Minimum spacing of guide rail 3 HP
- Cannot be used with propac, compac, inpac cases

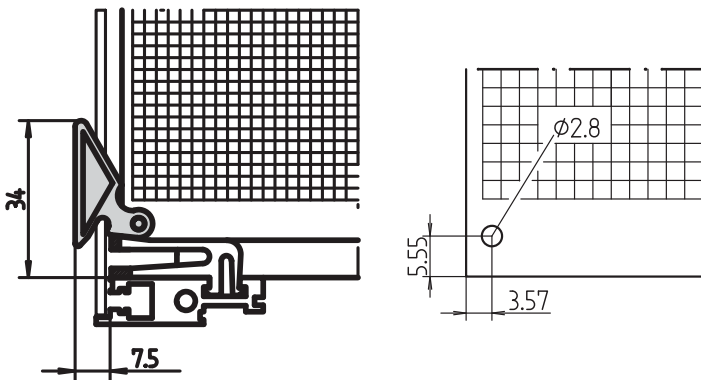
06002057

PCB accessories

PCB handle B1



B42729



BZB42725 BZA42724

- For bolting or riveting to 1.6 mm PCBs (top and bottom)
- Extraction function only
- Can be labelled

Order Information

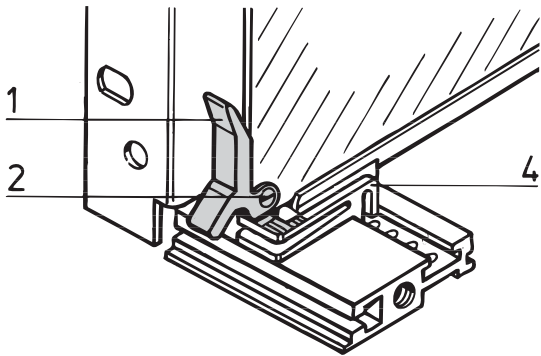
Item	Description	Material	Colour	Qty/PU	Part no.
1	PCB handle, bolt-on	PBT, UL 94 V-0	red	1 piece (SPQ 10)	<b>60817-067</b>
1a	PCB handle for rivet fitting	PBT, UL 94 V-0	red	1 piece (SPQ 10)	<b>60817-072</b>
2	Countersunk screw	St, nickel-plated, DIN 965	-	100	<b>21100-515</b>
2a	Tubular rivet	Brass, DIN 7340	-	100	<b>21100-076</b>
3	Identification strip	Polyester film, self-adhesive	white	100	<b>21100-569</b>

SPQ (standard pack quantity): Part number includes 1 piece, but delivery is exclusively made in standard pack quantity: Please order at least 10 pieces PCB handles or a multiple

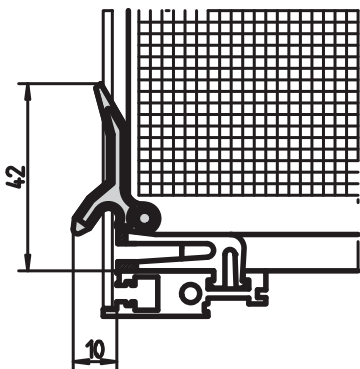
Note

- Can be used with PCB retainer B1, B2, see page 7.104

PCB handle B2



BZA46427



BZB42726

- For bolting to PCBs (1.6 mm); can only be used on bottom horizontal rail
- Extraction function only
- Can be labelled

Order Information

Item	Description	Material	Colour	Qty/PU	Part no.
1	PCB handle	PBT, UL 94 V-0	red	1 piece (SPQ 10)	<b>60817-055</b>
2	Slotted cheesehead screw, M2.5 × 6	St, nickel-plated	-	100	<b>21100-146</b>

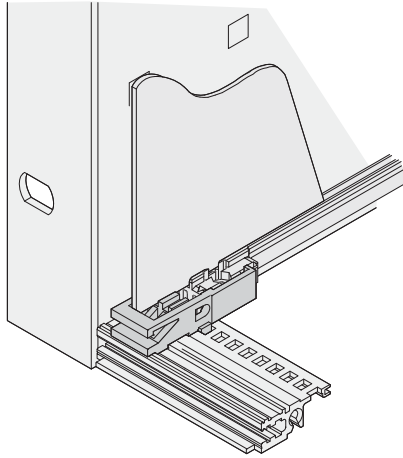
SPQ (standard pack quantity): Part number includes 1 piece, but delivery is exclusively made in standard pack quantity: Please order at least 10 pieces printed circuit board handles or a multiple

Note

- Can be used with PCB retainer B1, B2, see page 7.104

## PCB accessories

### PCB retainer B1, B2



06109050

- For fixing PCB
- Can also be used without PCB handle
- Application on top and bottom horizontal rail
- Suitable for PCB handles B1 and B2

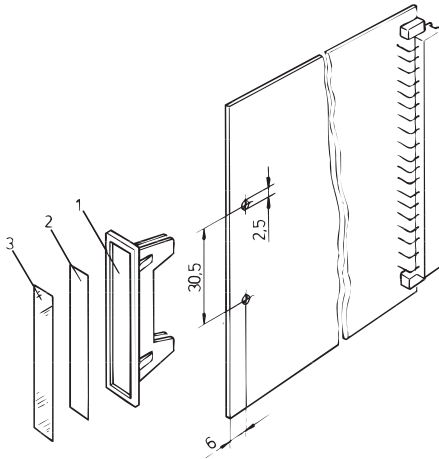
#### Order Information

Description	Material	Colour	Qty/PU	Part no.
PCB retainer B1, B2	PPO, UL 94 V-0	red	10	24560-381

#### Note

- Groove width 2 mm

### PCB handle, snap-on



A3261

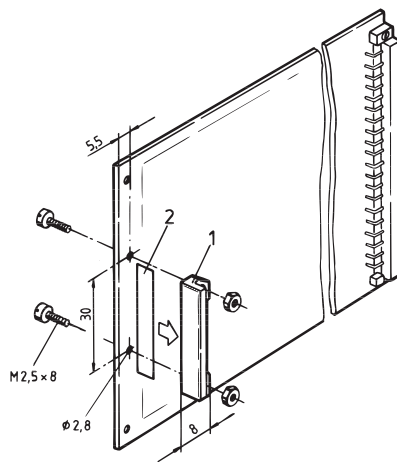
- For board thickness 1.6 mm

#### Order Information

Item	Description	Material	Colour	Qty	Part no.
1	PCB handle, can be locked	PPE, UL 94 V-1	grey	1 piece (SPQ 10)	60800-039
1	PCB handle, can be locked	PPE, UL 94 V-1	red	1 piece (SPQ 10)	60800-045
<b>Transparent strips</b> Item 3, 50 × 5 × 0.3 mm, PU 100 pieces					<b>69000-007</b>

SPQ (standard pack quantity): Part number includes 1 piece, but delivery is exclusively made in standard pack quantity: Please order at least 10 pieces PCB handles or a multiple

### PCB handle, can be bolted/rieveted



A4-1302

- For board thickness 1.6 mm

#### Order Information

Item	Description	Material	Colour	Qty	Part no.
1	PCB handle, can be bolted/rieveted	PC	yellow	1 piece (SPQ 10)	60817-050
2	PCB handle, can be bolted/rieveted	PC	red	1 piece (SPQ 10)	60817-051
1	PCB handle, can be bolted/rieveted	PC	green	1 piece (SPQ 10)	60817-052

**Identification strip** Item 2, carton, white, 37.5 × 7 × 0.15 mm, 1 sheet = 105 pieces **69000-969**

**Pozidrive panhead screw** M2.5 × 8, St, nickel-plated, PU 100 pieces **21101-069**

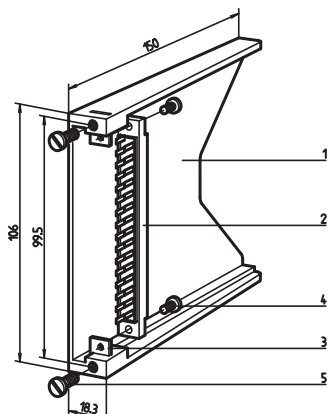
**Hexagonal nut** A 2.5, nickel-plated, PU 100 pieces **21100-144**

**Tubular rivet, form B (roundhead)** B 2.5 × 0.25 × 5, St/brass, raw, DIN 7340, PU 100 pieces **21100-459**

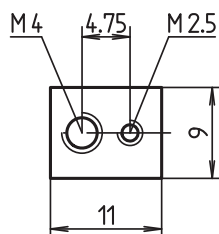
SPQ (standard pack quantity): Part number includes 1 piece, but delivery is exclusively made in standard pack quantity: Please order at least 10 pieces PCB handles or a multiple

## PCB accessories

## PCB pocket



Retention bracket (DIN 41612)



LKA42605

- Accepts PCBs in euroboard format, 100 × 160 mm
- For female connectors to EN 60603 (DIN 41612)

## Delivery comprises (kit)

Item	Qty	Description
1	1	PCB pocket, PBT (P), grey, UL 94 V-0
3	2	Retention bracket, St, 2 mm, nickel-plated
4	2	Cheesehead screw M2.5 × 6, St, nickel-plated
5	2	Cheesehead screw M4 × 12, St, nickel-plated

## Order Information

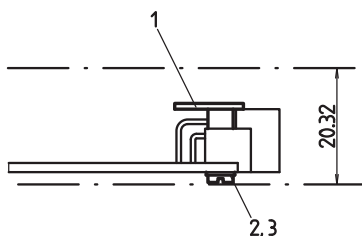
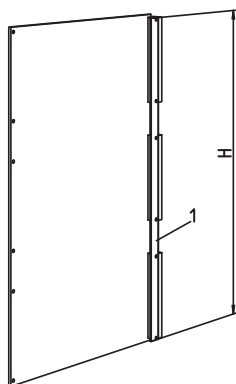
Item	Description	Material	Colour	Qty/PU	Part no.
1	PCB pocket	PBT (P)	grey	1	<b>20800-032</b>

## Note

- Connector (item 2) see page 11.2

LKA42606

## PCB strengthening (9 U)



LKA42609

- Protects large PCBs from bending
- Creates an additional crossbar (corresponding to IEEE recommendations, P 896, Nubus, Multibus® II etc.) that links all connectors mechanically
- Fixing points match connectors to EN 60603 (DIN 41612), types B, R, C and D

## Delivery comprises (kit)

Item	Qty	Description
1	1	PCB strengthening, Al extrusion, anodised, cut edges plain; separator, stainless steel, riveted on
2	6	Cheesehead screw M 2.5 × 12, St, nickel-plated
3	6	Washer 2.6, St, nickel-plated

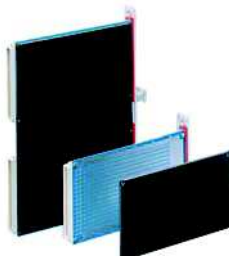
## Order Information

Description	Height H mm	Part no.
For 9 U PCBs	361.6	<b>20809-441</b>

LKA42593

## PCB covers

- Covers to protect solder side of board, see page 7.62



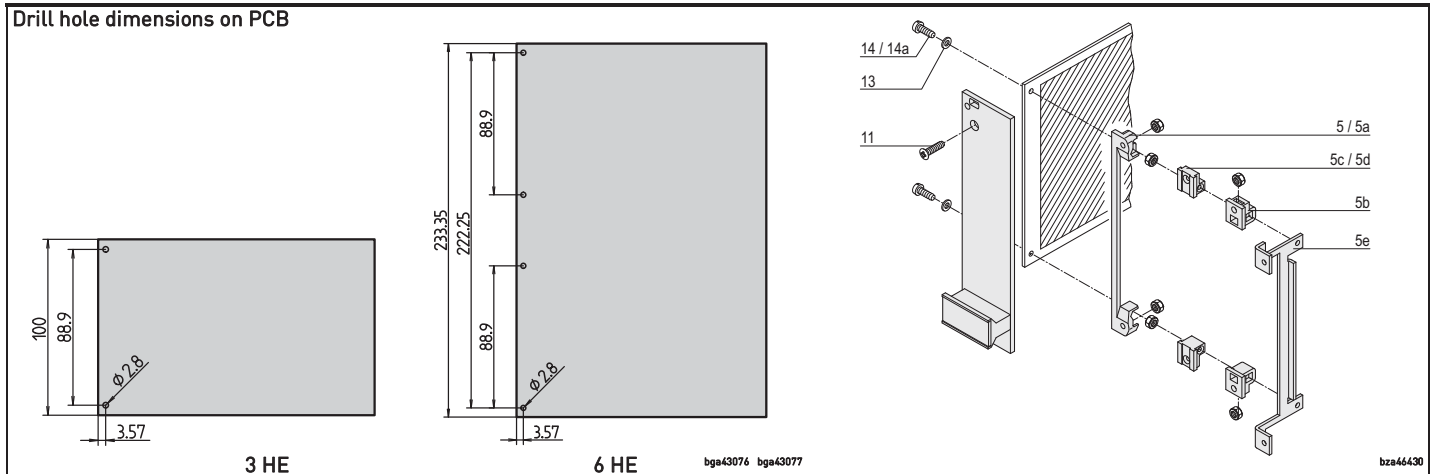
11092008

## PCB accessories

**Individual components**

**PCB support for static trapeziform handle**

### Fixing parts for extractor handles in key form 2



Fixing parts	Item	Image	Required quantity		Qty/PU	Part no.
			3 U	6 U		
PCB bracket 4 clearance holes for front panel/PCB fixing, 4 recesses for hexagon nuts; PBT, UL 94 V-0, red	5		1	2	1 piece (SPQ 10) <sup>1)</sup>	<b>60807-011</b>
PCB bracket 4 threads M2.5 for front panel/PCB fixing, PBT, UL 94 V-0, grey, 1 piece	5a	 <small>AZA45177</small>	1	2	1 piece (SPQ 10) <sup>1)</sup>	<b>60807-211</b>
PCB bracket Clearance hole for front panel fixing, with recess for hexagon nut, drill hole for self-tapping screw for PCB fixing, PBT, UL 94 V-0, grey, 1 piece	5b	 <small>AZA45177</small>	2	4	1 piece (SPQ 10) <sup>1)</sup>	<b>60807-183</b>
PCB bracket 2 threads M2.5 for front panel/PCB fixing, die-cast zinc, 1 piece	5c	 <small>06707050</small>	2	4	1 piece (SPQ 10) <sup>1)</sup>	<b>60807-181</b>
PCB bracket Thread M2.5 for front panel fixing, clearance hole for PCB fixing, die-cast zinc, 1 piece	5d	 <small>06707050</small>	2	4	1 piece (SPQ 10) <sup>1)</sup>	<b>60807-203</b>
PCB bracket 4 threads M2.5 for fixing front panel/PCB for recessed PCB mounting (20 mm), mounting depth 192.24 mm, St, zinc-plated; not for europacPRO, multipacPRO, ratiopacPRO, propacPRO or compacPRO, 1 piece	5e	 <small>AZA46586</small>	1	2	1 piece (SPQ 10) <sup>1)</sup>	<b>30808-871</b>

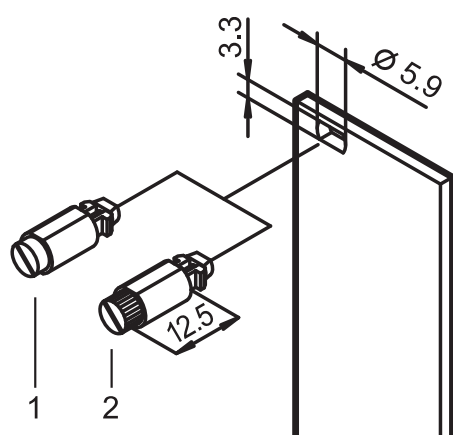
<sup>1)</sup> SPQ (standard pack quantity): Part number includes 1 piece, but delivery is exclusively made in standard pack quantity (SPQ); please order at least the SPQ quantity or a multiple

## Assembly parts

### Assembly parts

- Quick-release fasteners
- Sleeves
- Screws
- Cage nuts
- Tools

### Quick-release fasteners



06702062

- Vibration and shock proof
- 1/4 rotary lock with defined stop
- Detection of fastening position through slot position

### Delivery comprises

Qty	Description
1	Locking pin, St, locking, Zn die-cast
1	Press-in sleeve, POM

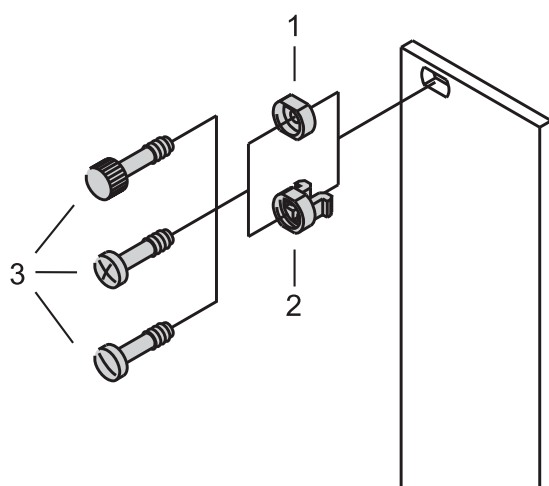
### Order Information

Item	Description	Qty/PU	Part no.
1	With slotted head, grey	100	<b>21101-847</b>
1	With slotted head, black	100	<b>21101-848</b>
2	With knurled and slotted head, grey	100	<b>21101-849</b>
2	With knurled and slotted head, black	100	<b>21101-850</b>

### Note

Quick-release fasteners: mounting without threaded insert

### Sleeves



06702061

### Order Information

Item	Description	Application	Qty/PU pieces	Part no.
2	Plastic sleeve, PA, grey	for unshielded front panels	100	<b>21100-464</b>
2	Plastic sleeve, PA, black	for unshielded front panels	100	<b>21100-591</b>
1	Metal sleeve, brass, nickel-plated	for shielded front panels	10	<b>21100-659</b>
1	Metal sleeve, brass, nickel-plated	for shielded front panels	100	<b>21100-660</b>
1	Metal sleeve, brass, black	for shielded front panels	10	<b>21100-885</b>
1	Metal sleeves, stainless steel	for shielded front panels	10	<b>21100-661</b>
1	Metal sleeves, stainless steel	for shielded front panels	100	<b>21100-662</b>

### Accessories

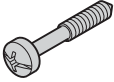
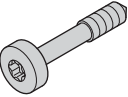
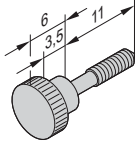
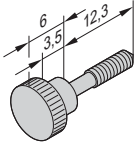
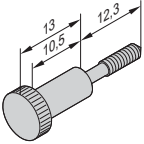
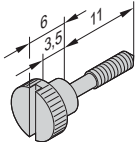
<b>Pozidrive/slotted collar screw</b> M2.5 × 11, St, nickel-plated, PU 100 pieces	<b>21100-748</b>
<b>Pozidrive/slotted collar screw</b> M2.5 × 12.3, St, nickel-plated, PU 100 pieces	<b>21101-101</b>

### Note

- Metal sleeves must be pressed-in into front panels
- Sleeve does not fit 2 HP wide front panels



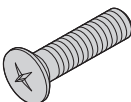
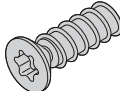
## Assembly parts

### Collar screws

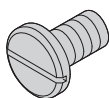
	Description	Material	Dimension	Qty/PU	Part no.
 <small>AZA46586</small>	Pozidrive/slotted collar screw	St, nickel-plated	M2.5 x 11	100	<b>21100-748</b>
		St, zinc-plated, black	M2.5 x 11	100	<b>21100-749</b>
		Stainless steel, with slot	M2.5 x 11	100	<b>21101-323</b>
		St, nickel-plated	M2.5 x 12.3	100	<b>21101-101</b>
		St, zinc-plated, black	M2.5 x 12.3	100	<b>21101-102</b>
		Stainless steel	M2.5 x 12.3	100	<b>21101-906</b>
 <small>AZA45941</small>	Torx collar screw	St, nickel-plated	M2.5 x 12.3	100	<b>21101-782</b>
		St, zinc-plated, black	M2.5 x 12.3	100	<b>21101-783</b>
 <small>06709050</small>  <small>06709051</small>  <small>06709052</small>	Collar screw with knurled head	Brass, nickel-plated	M2.5 x 11	50	<b>21100-268</b>
		Brass, nickel-plated	M2.5 x 12.3	100	<b>21101-749</b>
		Brass, nickel-plated	M2.5 x 12.3	100	<b>21101-909</b>
 <small>06709053</small>	Slotted collar screw with knurled head	Brass, nickel-plated	M2.5 x 11	100	<b>21101-106</b>

## Assembly parts

### Countersunk screws

	Description	Material	Dimension	Qty/PU	Part no.
	Pozidrive countersunk screw	St, nickel-plated	M2.5 x 6	100	<b>21100-515</b>
		St, nickel-plated	M2.5 x 12	100	<b>21100-507</b>
<small>aza45182</small>					
	Torx countersunk screw	St, zinc-plated	M4 x 5	100	<b>24560-139</b>
		St, zinc-plated	M4 x 14	100	<b>24560-145</b>
<small>AZA46585</small>					
	Raised Pozidrive countersunk screw	St, nickel-plated	M2.5 x 8	100	<b>21100-429</b>
		St, nickel-plated	M2.5 x 10	100	<b>21100-500</b>
		St, zinc-plated, black	M2.5 x 10	100	<b>21100-649</b>
<small>06702056</small>					
	Torx countersunk screw, self-tapping	St, zinc-plated	2.5 x 7.7	100	<b>24560-158</b>
		<small>06707057</small>			

### Screws for plug-in units



#### Order Information

Description	Qty/PU	Part no.
Slotted flathead screw, 6-32 UNC x 6	100	<b>21100-712</b>

06706053



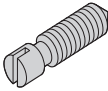
## Assembly parts

### Panhead screws



	Description	Material	Dimension	Qty/PU	Part no.
	PoziDrive panhead screw	St, nickel-plated	M2.5 x 5	100	<b>21101-314</b>
		St, nickel-plated	M2.5 x 6	100	<b>21101-219</b>
		St, nickel-plated	M2.5 x 8	100	<b>21101-069</b>
		St, nickel-plated	M2.5 x 10	100	<b>21101-220</b>
		St, nickel-plated	M2.5 x 12	100	<b>21101-221</b>
		St, nickel-plated	M2.5 x 16	100	<b>21101-222</b>
		St, zinc-plated	M5 x 12	100	<b>21100-788</b>
<small>06702057</small>					
	Torx panhead screw	St, zinc-plated	M2.5 x 6	100	<b>24560-159</b>
		St, nickel-plated	M2.5 x 7	100	<b>24560-147</b>
		St, nickel-plated	M2.5 x 10	100	<b>24560-148</b>
		St, nickel-plated	M2.5 x 12	100	<b>24560-161</b>
		St, nickel-plated	M2.5 x 14	100	<b>24560-162</b>
		St, zinc-plated	M4 x 6	100	<b>24560-135</b>
		St, zinc-plated	M4 x 6	100	<b>24560-151</b>
		St, zinc-plated	M4 x 10	100	<b>24560-155</b>
<small>AZA45940</small>					
	Screw + securing washer (PA)	St, nickel-plated	M2.5 x 12	100	<b>21100-777</b>
		<small>06702051</small>			
	Torx panhead screw, self-tapping	St, zinc-plated, black	2.5 x 7.3	100	<b>24560-157</b>
		St, zinc-plated	2.5 x 9.3	100	<b>24560-141</b>
<small>06702058</small>					

## Assembly parts



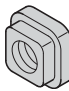
### Grub screws

	Description	Material	Dimension	Qty/PU	Part no.
 <small>06702053</small>	Grub screw	Stainless steel	M2.5 x 9	100	<b>21101-359</b>
		St, nickel-plated	M2.5 x 8	100	<b>21100-276</b>
		St, zinc-plated	M3.0 x 8	100	<b>21100-646</b>

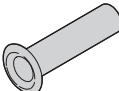
### Washers

	Description	Material	Dimension	Qty/PU	Part no.
 <small>AZA45178</small>	Washer	Plastic, PA	2.7 x 5 x 1	100	<b>21101-121</b>
		Plastic, PA	2.8 x 6,3 x 2	100	<b>21101-964</b>
		St, nickel-plated	A2.7 DIN 125	100	<b>21100-721</b>
 <small>AZA45180</small>	Shakeproof washer	St, nickel-plated	A 2.6	100	<b>21100-142</b>

### Nuts

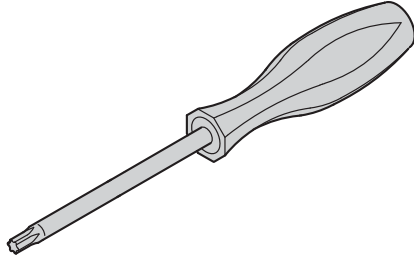
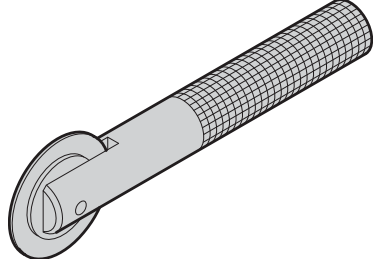
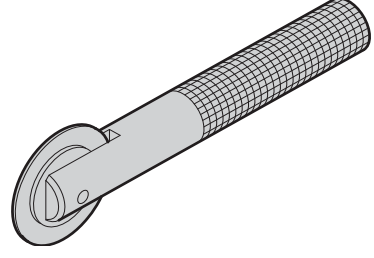
	Description	Material	Dimension	Qty/PU	Part no.
 <small>AZA43239</small>	Hexagon nut	St, nickel-plated	M2.5	100	<b>21100-144</b>
 <small>06707050</small>	Square nut	St, nickel-plated	M2.5	100	<b>21100-359</b>
 <small>AZA45921</small>	Square nut	St, zinc-plated	M4	100	<b>24560-140</b>

### Tubular rivet

	Description	Material	Dimension	Qty/PU	Part no.
 <small>06706050</small>	Tubular rivet, form B (roundhead)	St/brass, raw	B 2.5 x 0.25 x 5	100	<b>21100-459</b>

## Assembly parts

### Assembly tools

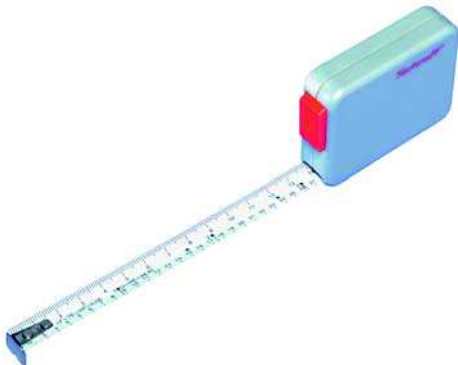
		Order Information			
	Description	Application	Dimension	Qty/PU	Part no.
 <small>AZA45925</small>	Torx screwdriver	For M2.5 screw	T8	1	<b>64560-026</b>
		For M4 screw	T20	1	<b>64560-027</b>
 <small>aza45938</small>	Assembly tool	Exclusively to fix stainless steel EMC gaskets in horizontal rails	-	1	<b>24560-271</b>
 <small>aza45937</small>	Assembly tool	To fix stainless steel EMC gaskets on front panels with lateral slot	-	1	<b>24560-270</b>

#### Note

- Assembly tool to insert keying/coding pegs in guide rails is available on request

## Assembly parts

### Measuring tape



- Measuring tape with cm, U-, HP-division (length 2 m)
- Plastic housing, metal measuring tape with automatic collection

#### Order Information

Description	Qty/PU	Part no.
Measuring tape	1	<b>89009-001</b>

32506001