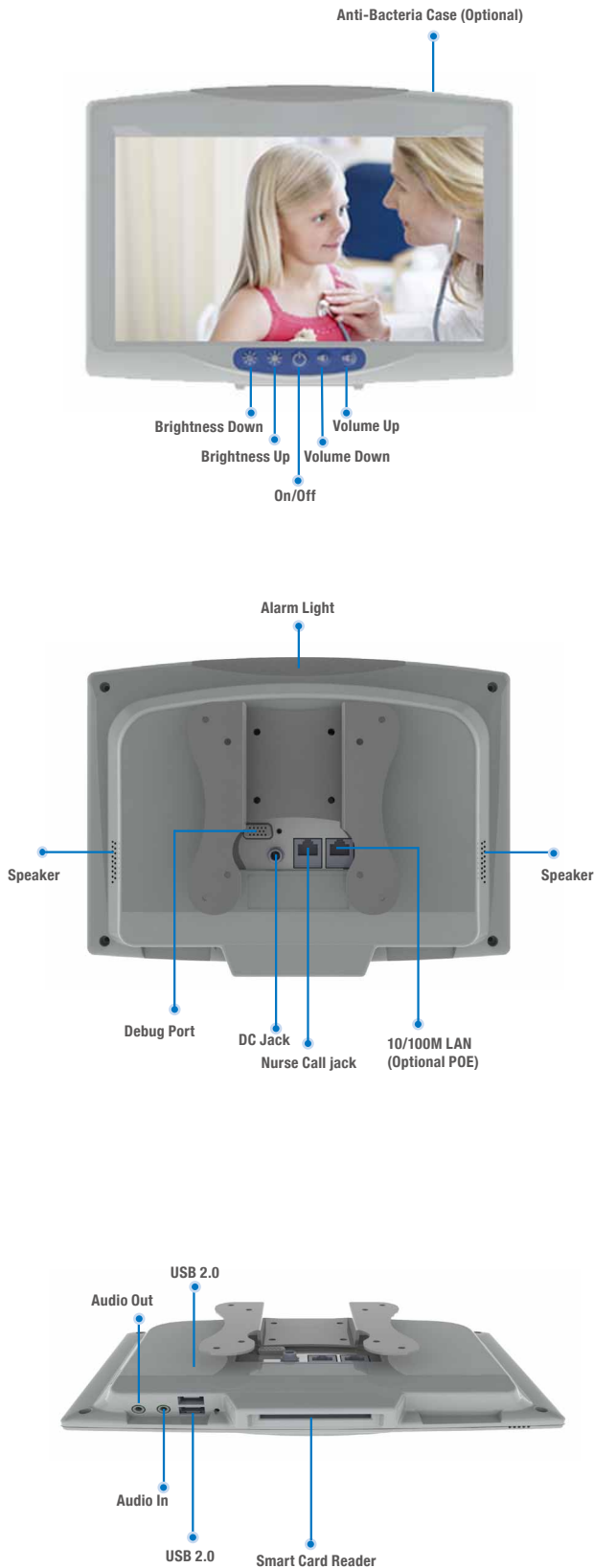


ONYX-BE100

10.1" RISC Bedside Infotainment Series



Feature

- Samsung S5PV210 800MHz Processor
- 10.1" Wide Color TFT LCD Display
- Fanless & Compact Design
- Smart Card Reader
- Power over Ethernet (Energy Saving)
- Hardware Decoder Support:
 - H.264 up to 1080i
 - MPEG4 up to 1080i
 - MPEG2 up to D1
- WLAN b/g / Nurse Call Function (Optional)
- RFID / VOIP Phone Function (Optional)
- Multimedia Entertainment: TV, VoIP, Web Radio



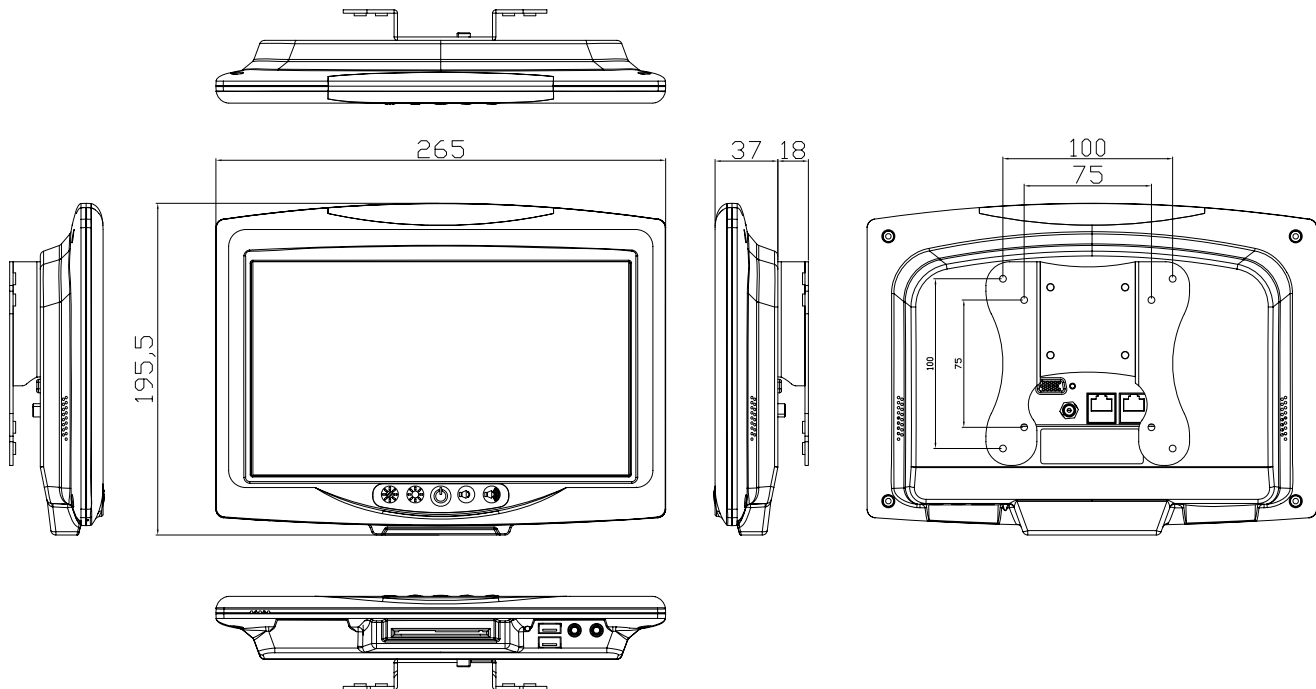
Specifications

Main Specifications	
CPU Processor	SAMSUNG S5PV210 800MHz
Chipset	N/A
System Memory	512MB DDR2-533MHz
OS Support	Android 2.2 Froyo (SDK for SW party developing AP & UI)
Expansion	VoIP Phone / RFID Function (Optional) Nurse Call Function (Optional)
Storage	System Storage: 512MB 8-bit NAND Flash - (Boot loader and Kernel) User Storage: 1 x Internal SD socket 1 x Smart Card Reader
Display	
Size	10.1" Color TFT LED LCD
Resolution	1024 x 600
Max. Colors	16.7M
Dot Size (mm)	0.3 x 0.3
Luminance	200 nits
View Angle	40/45(H Right/Left) 15/35 (V Upper/Lower)
Contrast Ratio	400:1
Back Light MTBF (Hours)	50,000 Hrs
Touch Screen	4-wire Resistive Touch Screen
I/O	
Audio	1 x Line out/ Internal MIC
USB	2 x External USB2.0 (on bottom I/O)
Serial port	1 x Internal RS-232 (Debug Port)
Ethernet	LAN 1:1 x10/100 Isolated Gigabit LAN w/POE
Speaker	2 x 2W High Quality Speakers
Mechanical and Environmental	
Infection Control	Anti-Bacteria (Optional)
Power Requirement	DC 12V or Power Over Ethernet
Operating Temperature	0°C ~ 40°C (32°F ~ 104°F)
Storage Temperature	-20°C ~ 60°C (-4°F ~ 140°F)
Mounting	VESA 75/100mm
Degree of Protection	Front Panel: IP65; Whole Unit: IPX1
Net Weight	1.0 kg
EMC	CE/FCC Class B, UL 60601-1, EN60601-1



Dimension

Unit: mm



Ordering Information

- » TF-ONYX-BE100DT-A1-1010
Fanless Ward Terminal, SAMSUNG S5PV210 800MHz, 10.1" TFT, DC, R-TS, 1 x Smart Card Reader
- » TF-ONYX-BE100DT-F1-1010
Fanless Ward Terminal, SAMSUNG S5PV210 800MHz, 10.1" TFT, DC, R-TS, 1 x Smart Card Reader / RFID

Optional Accessories

- » TF-PWR-M03001
30W Medical Grade Adapter w/ 40cm Cable
- » TF-PWR-EXT10001
100cm Adpter Extension Cable w/ 2.5mm DC Jack Plug
- » TF-PWR-EXT20001
200cm Adpter Extension Cable w/ 2.5mm DC Jack Plug
- » TF-PWR-EXT30001
300cm Adpter Extension Cable w/ 2.5mm DC Jack Plug
- » TF-ARM-W0601
1-6kg Long Swivel Wall Mount Arm VESA75/100 (For 10.1" Unit)
- » TF-WIFI-003
WLAN Mini Card 802.11 b/g
- » TF-BCS-003
Handheld Scanner