

ONYX-322

21.5" Full HD Slim Medical TFT Display

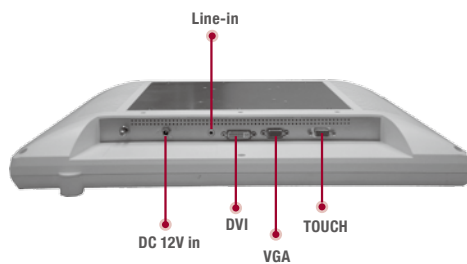


Features

- 21.5" True Color full HD Medical LCD
- High Definition Medical Display for Micro-Surgery & Scope Application
- Compact, Slim and Light weight
- Worldwide Medical Safety And EMC Certified



Specifications



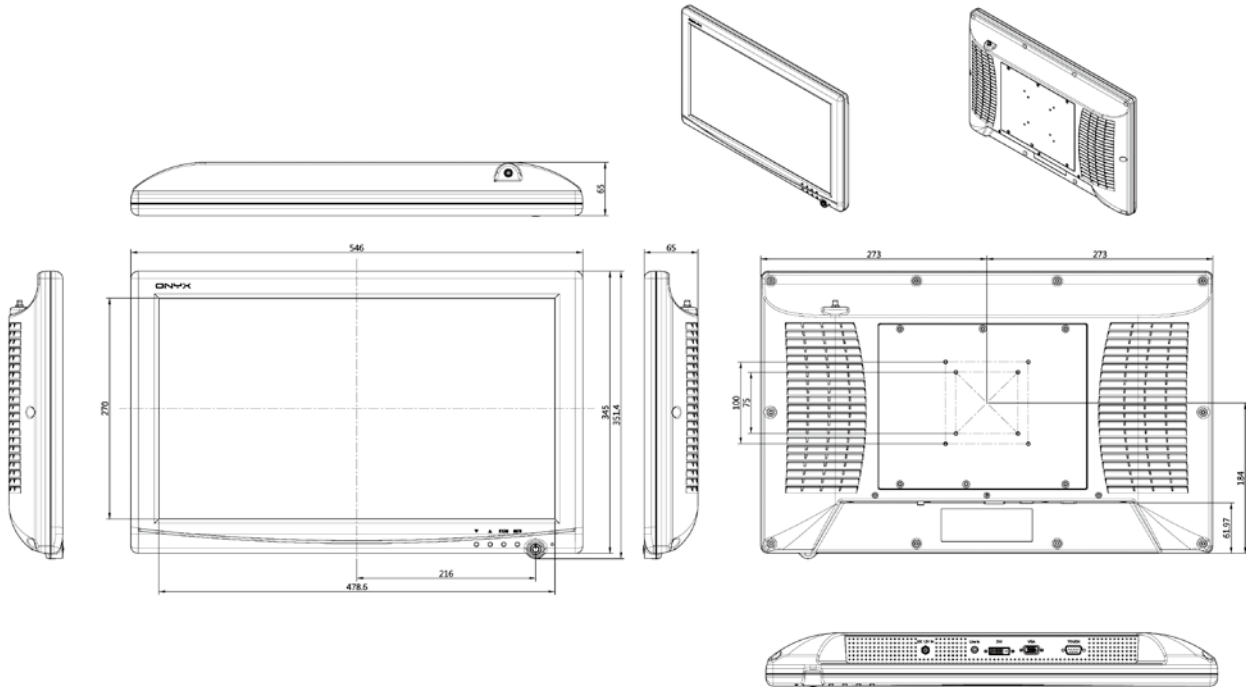
System	
OS Support	MS DOS, Windows® 2000, Windows® XP, Windows® 7
Display	
Size	21.5"
Resolution	1920 x 1080, full HD
Max. Colors	16.7M
Contrast Ratio	1000:1
Viewing Angle	170°(H)/160°(V)
Back Light MTBF (Hours)	50,000
Touch Screen	5-wire Resistive/ 2048 x 2048 (Optional)
I/O	
Audio	Line-in x1
Com	RS-232 x 1 for touch controller
Signal	VGA x 1, DVI x 1
Speaker	3 W speaker x 2 on back side
Mechanical and Environmental	
Power Requirement	DC Model: 12V DC
Operating Temperature	32°F ~ 104°F (0°C ~ 40°C)
Storage Temperature	-4°F ~ 140°F (-20°C ~ 60°C)
Storage Humidity	10% ~ 95% @35°C, non-condensing
Mounting	VESA 75/100
Gross Weight	24.21 lb (11 kg)
Net Weight	15.18 lb (6.9 kg)
EMC	CE/FCC Class B, UL 60601-1, EN 60601-1





Dimension

Unit: mm



Ordering Information

- » TF-ONYX-322DT-A1-1010
Slim Medical Display, 21.5" TFT, Fanless, DC 12V
- » TF-ONYX-322DTT-A1-1010
Slim Medical Display, 21.5" TFT, Fanless, DC 12V, R-TS

Optional Accessories

- » PER-M19
3-level Trolley
- » PER-M20
Desktop Stand with VESA 75/100, Cool Gray 3C

