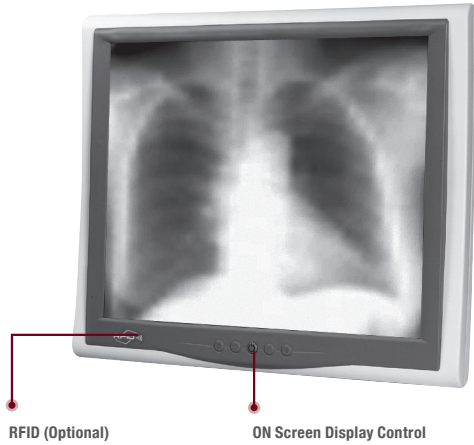


ONYX-195VS

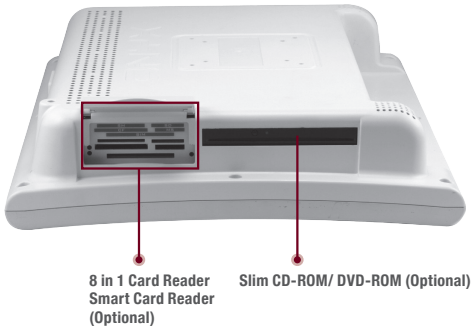
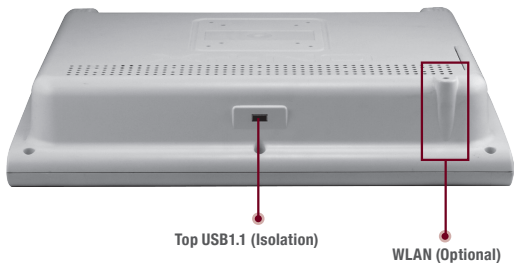
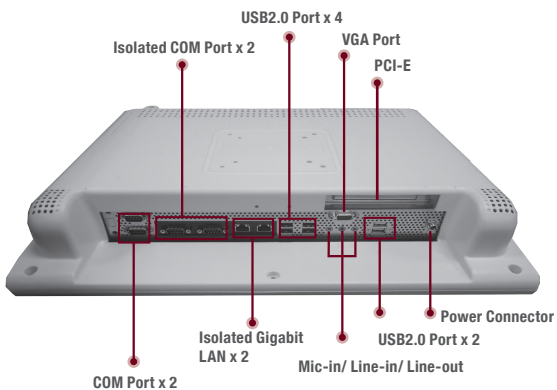
19" GS45 Fanless Isolation Vital Care Medical Station



Features



- > High Performance Intel® Core™ 2 Duo Processor
- > Support DDRIII Memory up to 8 GB
- > 19" Fanless Diagnostic Medical PC
- > USB, COM & LAN Medical Isolation
- > Wide extension: PCI-E, Mini PCI & Mini Card
- > Build-in RFID Security (Optional)
- > Support Fireware IEEE 1394 (Optional)
- > Support WLAN 802.11a/b/g/n Wireless Communication
- > CE/FCC Class B, EN/UL60601-1 Medical Certification



Specifications

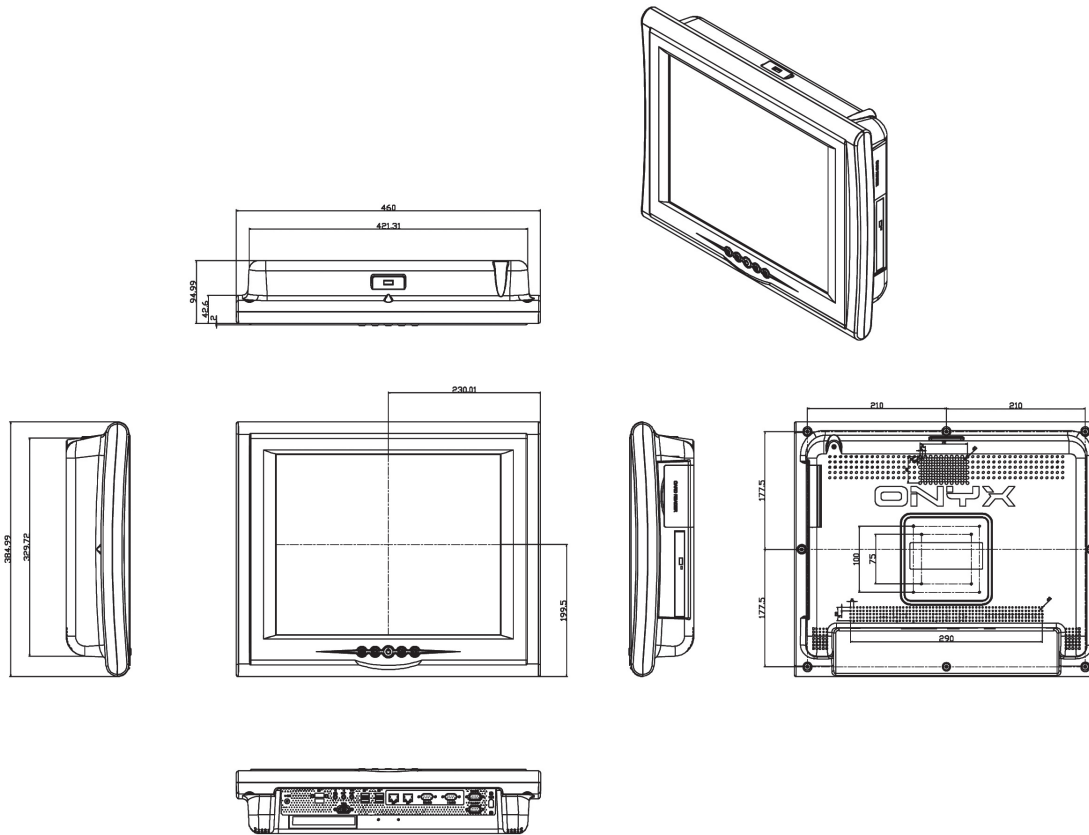
Main Specifications	
Processor	Intel® Core™ 2 Duo SL9400 1.86GHz /SU9300 1.2GHz Processor
System Memory	Support DDRIII 800/1066 up to 8 GB
Chipset	Intel®GM45 chipset + ICH9M SFF
OS Support Chipset	Windows® XP, Vista, WES , Windows® 7
Remote Management	Intel®AMT , Microsoft Virtual Management(optional)
Expansion	PCI-E [x16] x 1, Mini-PCI x 1, Mini Card x 1
Storage Disk Drive	2.5" SATA Hard Disk Drive x1 (Optional) Slim DVD-RW x1 (Optional) Side Mounted 8-in-1 Card Reader x1 Smart Card reader x1 (Optional)
Display	
Size	19"
Resolution	1280 x 1024
Max. Colors	16.7M
Luminance	300 nits
View Angle	178°(H)/178°(V)
Contrast Ratio	2000:1
Back Light MTBF (Hours)	50,000 Hours
Touch Screen	5-wire resistive / 35 Million activities
I/O	
Audio	HD Audio (1 x Mic-in , 1 x Lin-in / out)
USB	External USB x 7 USB2.0 x 6 Isolated Full Speed USB1.1 (on top)
Serial Port	Isolated RS232 x 2, RS-232 x 1, RS-232/422/485 x 1
Ethernet	Isolated Gigabit LANx 2
Firewire	IEEE1394 (Mini PCI option)
Video	S-video out/ S-video in (optional)
Speaker	2W speaker x 2
Mechanical and Environmental	
Power Requirement	DC15~24V
Operating Temperature	32°F ~ 104°F (0°C ~ 40°C)
Storage Temperature	-4°F ~ 60°F (-20°C ~ 60°C)
Mounting	VESA 75/100 mm
Net Weight	18.7 lb (8.5 kg)
EMC	CE/FCC Class B, UL-60601-1, EN-60601-2, IEC60601-1-2:2007

* Note: All specifications are subject to change without notice.



Dimension

Unit: mm



Ordering Information

- » TF-ONYX-195VS-A1-1010
Fanless C2D medical PC.SL9400 1.86GHz.19".USB.COM.LAN ISO.. DC 15-24V. Card Reader
- » TF-ONYX-195VST-A1-1010
Fanless C2D medical PC.SL9400 1.86GHz.19".USB.COM.LAN ISO.. DC 15-24V. Card Reader , R-TS
- » TF-ONYX-195VS-A2-1010
Fanless C2D medical PC.SU9300 1.2GHz.19".USB.COM.LAN ISO.. DC 15-24V. Card Reader
- » TF-ONYX-195VST-A2-1010
Fanless C2D medical PC.SU9300 1.2GHz.19".USB.COM.LAN ISO.. DC 15-24V. Card Reader.R-TS

Optional Accessories

- » TF-PER-M01
Bluetooth 2.0 + EDR USB Module
- » TF-PER-M08
Barcode Scanner, 500 Scans Per Second
- » TF-PER-M61
SATA Slim Auto Insertion DVD+/-RW, White Color
- » PER-M20
Desktop Stand with VESA 75/100, Cool Gray 3C
- » TF-PER-M21
Smart Card Reader Kit
- » TF-PER-M29
Mini-PCI Capture Card
- » TF-PER-M71
Mini-PCI WLAN 802.11 b/g Module
- » TF-PER-M75
Mini-PCI WLAN 802.11 a/b/g/n Module
- » TF-PER-M79
Mini Card WLAN 802.11 b/g/n Module