

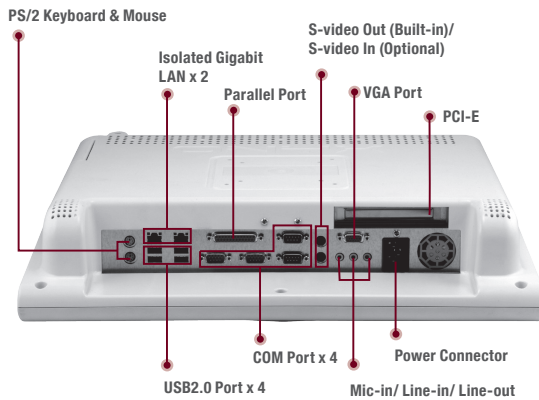
ONYX-175V

17" Vital Care Medical Station, over 2GHz Processor



RFID (Optional)

ON Screen Display Control



PS/2 Keyboard & Mouse

Isolated Gigabit LAN x 2

S-video Out (Built-in)/ S-video In (Optional)

Parallel Port

VGA Port

PCI-E

USB2.0 Port x 4

COM Port x 4

Mic-in/ Line-in/ Line-out

Power Connector



Top USB2.0

WLAN (Optional)



8 in 1 Card Reader Smart Card Reader (Optional)

Slim CD-ROM/ DVD-ROM (Optional)

Features



- High Performance Intel® Core™ 2 Duo Processor
- Support DDRIII Memory up to 8 GB
- 17" True Color Diagnostic Medical PC
- Built-In Security RFID And Smart Card (Optional)
- Supports PCI-E [x16] Expansion
- Mini-PCI Capture Card Supports Non-DICOM To DICOMCAM (Optional)
- 802.11a/b/g/n And Bluetooth Wireless Solution(Optional)
- CE/FCC Class B, EN/UL60601-1 Medical Certification



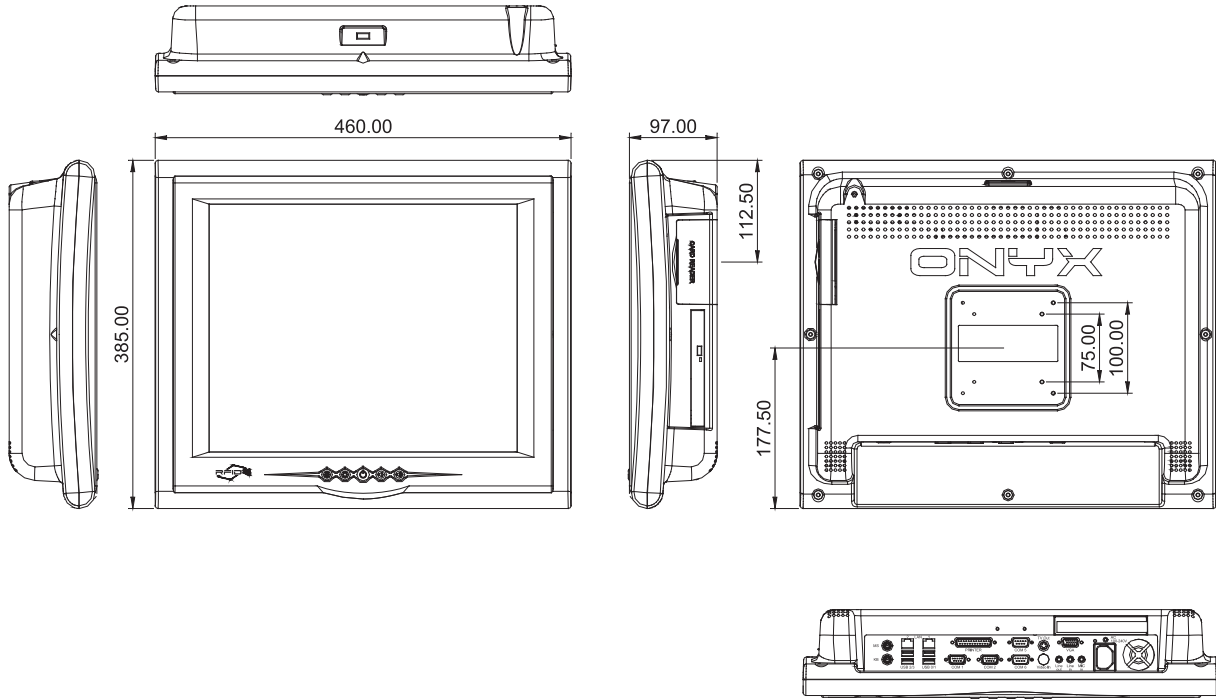
Specifications

Main Specifications	
Processor	Intel® Core™ 2 Duo Processor
System Memory	DDRIII SODIMM x 2 up to 8 GB (optional)
Chipset	Intel®GM45 chipset
OS Support Chipset	Windows® XP, XP Pro, XPE, WES, WES 7, Windows® 7
Remote Management	Intel®AMT , Microsoft Virtual Management(optional)
Expansion	PCI-E [x16] x 1, Mini-PCI x 1, Mini Card x 1(optional)
Storage Disk Drive	2.5" SATA Hard Disk Drive x1 (Optional) Slim DVD-RW x1 (Optional) Side Mounted 8-in-1 Card Reader x1 Smartcard reader x1 (Optional)
Display	
Size	17"
Resolution	1280 x 1024
Max. Colors	16.7M
Luminance	380 nits
View Angle	170°(H)/170°(V)
Contrast Ratio	1000 : 1
Back Light MTBF (Hours)	50,000 Hours
Touch Screen	5-wire resistive / 35 Million activities
I/O	
Audio	HD Audio (1 x Mic-in , 1 x Lin-in / out)
USB	External x 5 , Internal x 3
Serial Port	RS-232 x 3, RS-232/422/485 x 1
Ethernet	Isolated Gigabit LANx 2
Parallel Port	Printer port x 1
Keyboard & Mouse	PS/2 Keyboard x 1 / PS/2 Mouse x 1
Video	S-video out/ S-video in (optional)
Speaker	2W speaker x 2
Mechanical and Environmental	
Power Requirement	100/240V AC, 180W
Operating Temperature	32°F ~ 104°F (0°C ~ 40°C)
Storage Temperature	-4°F ~ 140°F (-20°C ~ 60°C)
Mounting	VESA 75/100 mm
Net Weight	18.48 lb (8.4 kg)
EMC	CE/FCC Class B, UL-60601-1, EN-60601-2, IEC60601-1-2:2007



Dimension

Unit: mm



Ordering Information

- » TF-ONYX-175VT-A1-1010
Vital Care Medical Station, Intel® Core™ 2 Duo P8400 2.26 GHz, 17" True Color LCD, AC, Card Reader
- » TF-ONYX-175VTT-A1-1010
Vital Care Medical Station, Intel® Core™ 2 Duo P8400 2.26 GHz, 17" True Color LCD, AC, Card Reader , R-TS

Optional Accessories

- » TF-PER-M01
Bluetooth 2.0 + EDR USB Module
- » TF-PER-M08
Barcode Scanner, 500 Scans Per Second
- » TF-PER-M61
SATA Slim Auto Insertion DVD+/-RW, White Color
- » PER-M20
Desktop Stand with VESA 75/100, Cool Gray 3C
- » TF-PER-M21
Smart Card Reader Kit
- » TF-PER-M29
Mini-PCI Capture Card
- » TF-PER-M71
Mini-PCI WLAN 802.11 b/g Module
- » TF-PER-M75
Mini-PCI WLAN 802.11 a/b/g/n Module
- » TF-PER-M79
Mini Card WLAN 802.11 b/g/n Module