

ONYX-175D

17" Fanless Expert Medical Station



RFID (Optional)

ON Screen Display Control

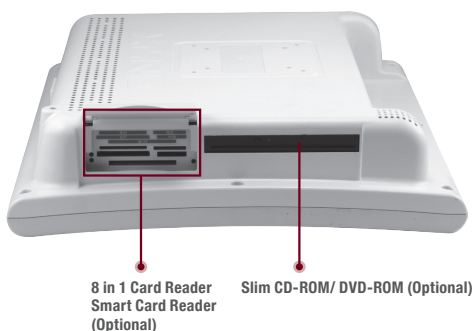
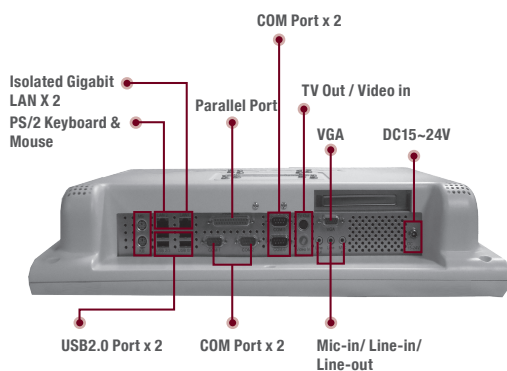
Features

- High Performance Intel® Core™ 2 Duo Processor
- 17" True Color Diagnostic Medical PC
- COM Isolation (Optional)
- Built-In Security RFID (Optional)
- Fanless, Zero Noise
- Supports PCI Expansion
- Mini-PCI Capture Card Supports Non-DICOM To DICOM CAM (Optional)
- Touch screen support
- 802.11a/b/g/n And Bluetooth Wireless Solution (Optional)



Specifications

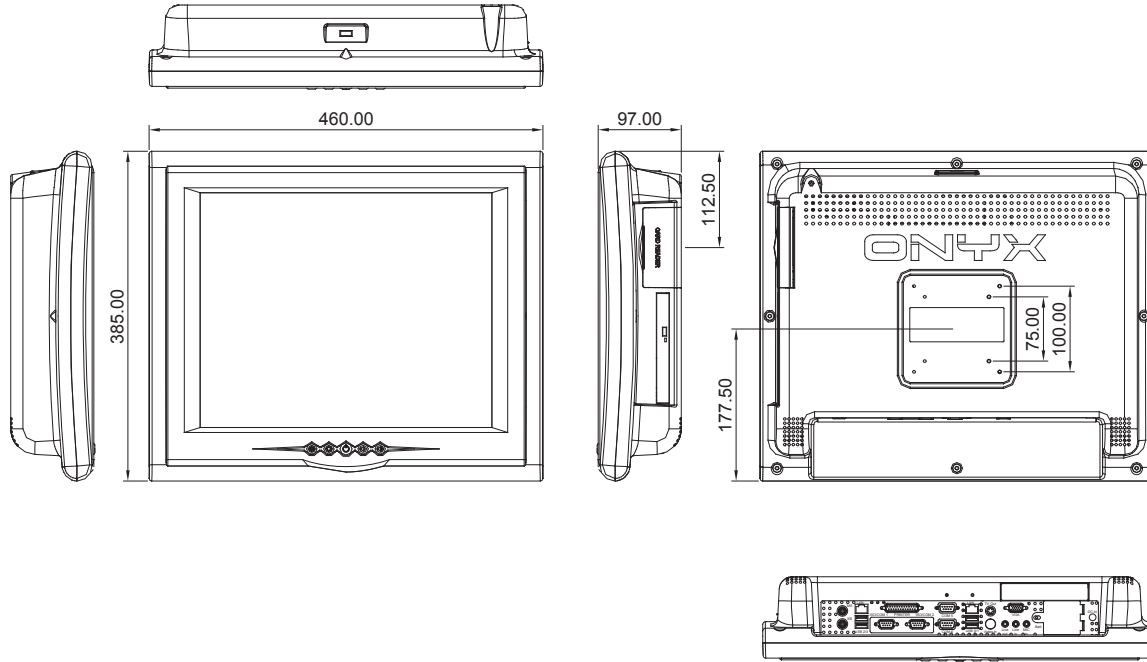
Main Specifications	
Processor	Intel® Core™ 2 Duo Processor (up to 2.16 GHz) -Intel® Core™ 2 Duo Processor 1.06 GHz (Battery Version) -Intel® Core™ 2 Duo Processor 1.5 GHz (Fanless Version)
LCD Controller	Intel®945GME
System Memory	DDR2 SODIMM supports DDR2 400/533/667 up to 2 GB (optional)
Chipset	Intel®945 GME
OS Support	Windows® XP, XP Pro, XPE, WES, WES 7, Windows® 7
Display	17" True color TFT LCD
Expansion	PCI x 1, Mini-PCI x 1, Mini Card x 1
Storage Disk Drive	Slim DVD/CD x 1 (optional), 2.5" SATA Hard Disk Drive x 1 (optional), 8-in-1 Card Reader x 1, Smart Card Reader x 1 (Optional)
Display	
Size	17"
Resolution	1280 x 1024
Max. Colors	16.7M
Luminance	380 nits
View Angle	70°(H)/170°(V)
Contrast Ratio	1000 : 1
Back Light MTBF (Hours)	50,000 Hours
Touch Screen	5-wire resistive / 35 Million activities
I/O	
Audio	MIC-in, Line-in, Line-out
USB	External x 5, Internal x 3
Serial port	RS232 x 3, RS-232 /422/485 x 1 (DT Series) RS232 x 2, Isolated RS-232 (SD Series)
Ethernet	Isolated Gigabit LAN X 2
Keyboard & Mouse	PS/2 keyboard x 1, PS/2 mouse x 1
Video	S-video out x 1/ S-video in (optional) x 1
Speaker	2 W Speaker x 2
Mechanical and Environmental	
Power Requirement	DC9~30V or DC 15V~24V (Battery Version)
Operating Temperature	32°F ~ 104°F (0°C ~ 40°C)
Storage Temperature	-4°F ~ 140°F (-20°C ~ 60°C)
Mounting	VESA 75/100 mm
Net Weight	18.26 lb (8.3 kg)
EMC	CE/FCC Class B, UL 60601-1, EN 60601-2, IEC60601-1-2:2007





Dimension

Unit: mm



Ordering Information

- » TF-ONYX-175DT-U1-1010
Fanless Expert Medical Station, Core™ 2 Duo 1.06 GHz CPU, 17" True Color LCD, 2 COM, DC, Card Reader
- » TF-ONYX-175DTT-U1-1010
Fanless Expert Medical Station, Core™ 2 Duo 1.06 GHz CPU, 17" True Color LCD, 2 COM, R-TS, DC, Card Reader
- » TF-ONYX-175DT-U2-1010
Fanless Expert Medical Station, Core™ 2 Duo 1.5 GHz CPU, 17" True Color LCD, 2 COM, DC, Card Reader
- » TF-ONYX-175DTT-U2-1010
Fanless Expert Medical Station, Core™ 2 Duo 1.5 GHz CPU, 17" True Color LCD, 2 COM, R-TS, DC, Card Reader
- » TF-ONYX-175DT-F1-1010
Expert Medical Station, Core™ 2 Duo 2.0 GHz CPU, 17" True Color LCD, DC, RFID, Card Reader
- » TF-ONYX-175DTT-F1-1010
Expert Medical Station, Core™ 2 Duo 2.0 GHz CPU, 17" True Color LCD, DC, RFID, Card Reader, R-TS
- » TF-ONYX-175SDT-U1-1010
Fanless Expert Medical Station, Core™ 2 Duo 1.06 GHz CPU, 17" True Color LCD, 2 COM Isolation, R-TS, DC
- » TF-ONYX-175SD-U1-1010
Fanless Expert Medical Station, Core™ 2 Duo 1.06 GHz CPU, 17" True Color LCD, 2 COM Isolation, DC
- » TF-ONYX-175SDT-U2-1010
Fanless Expert Medical Station, Core™ 2 Duo 1.5 GHz CPU, 17" True Color LCD, 2 COM Isolation, R-TS, DC
- » TF-ONYX-175SD-U2-1010
Fanless Expert Medical Station, Core™ 2 Duo 1.5 GHz CPU, 17" True Color LCD, 2 COM Isolation, DC

Optional Accessories

- » TF-PER-M01
Bluetooth 2.0 + EDR USB Module
- » TF-PER-M08
Barcode Scanner, 500 Scans Per Second
- » TF-PER-M61
SATA Slim Auto Insertion DVD+/-RW, White Color
- » PER-M20
Desktop Stand with VESA 75/100, Cool Gray 3C
- » TF-PER-M21
Smart Card Reader Kit
- » TF-PER-M29
Mini-PCI Capture Card
- » TF-PER-M71
Mini-PCI WLAN 802.11 b/g Module
- » TF-PER-M75
Mini-PCI WLAN 802.11 a/b/g/n Module
- » TF-PER-M79
Mini Card WLAN 802.11 b/g/n Module