

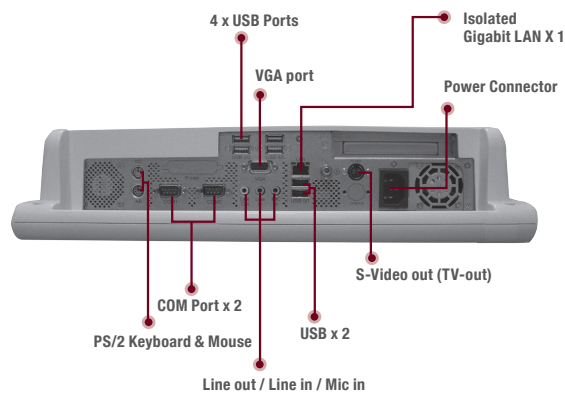
ONYX-155

15" Expert Medical Station



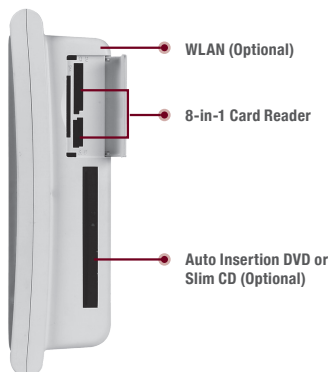
RFID (Optional)

ON Screen Display Control



COM Port x 2

Line out / Line in / Mic in



WLAN (Optional)

8-in-1 Card Reader

Auto Insertion DVD or Slim CD (Optional)

Features



- Intel® Core™ 2 Duo processor high performance low power system solution
- Up to 4GB Memory (Optional)
- 15" XGA Color TFT LCD display
- Resistive touch screen (optional)
- Support USB Web-CAM , DVD-RW (Optional)
- 802.11a/b/g/n wireless antenna (Optional)
- Support Windows XP Pro, XPE, WES, WES7, Windows 7
- 450 nit high brightness to X-ray films
- 8 in 1 memory card reader (optional)
- Mini capture card support Non-DICOM CAM to DICOM (optional)



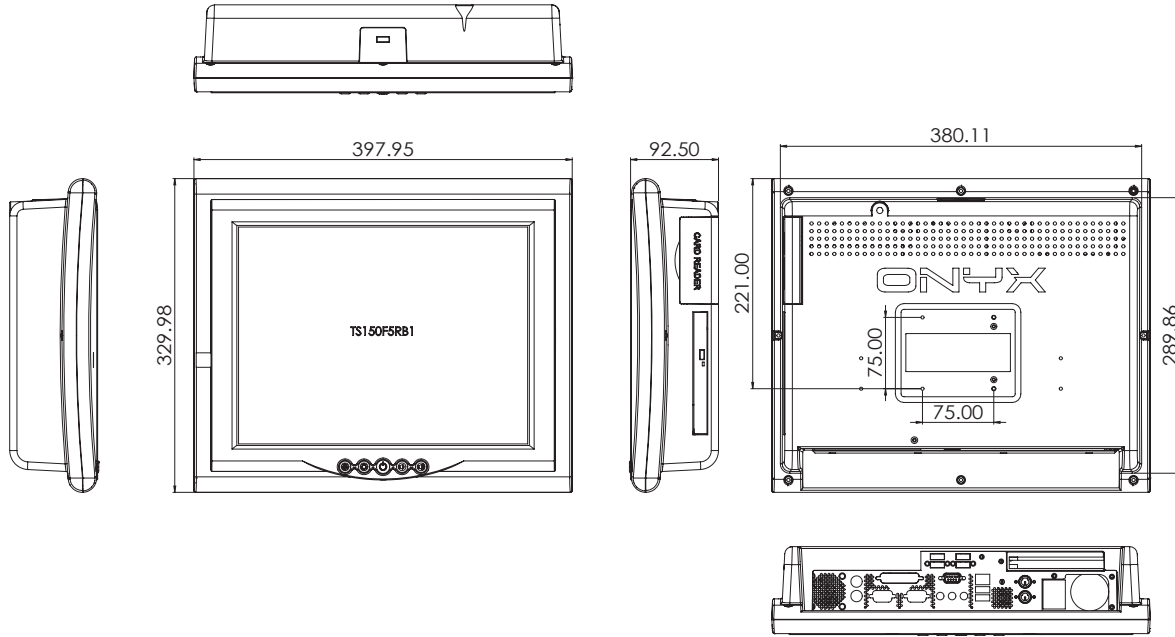
Specifications

Main Specifications	
Processor	Intel® Core™ 2 Duo T7200 Processor 2.0 GHz Intel® Core™ 2 Duo T5500 Processor 1.66 GHz
System Memory	Supports DDRII 533/667 up to 4 GB (optional)
Chipset	Intel®945 GME+ICH7M
OS Support	Windows® XP, XP Pro, XPE, WES, WES 7, Windows® 7
Remote Management	Intel®AMT , Microsoft Virtual Management
Expansion Interface	Mini-PCI x 1, PCI x1 (through Riser Card)
Storage Disk Drive	Slim DVD-RW / DVD x 1 (optional), 2.5" SATA Hard Disk Drive x 1 (optional), 8-in-1 Card Reader x 1
Display	
Size	15"
Resolution	1024 x 768
Max. Colors	16.2M
Luminance	550 nits
Viewing Angle	140°(H)/ 130°(V)
Contrast Ratio	700:1
Back Light MTBF (Hours)	50,000 Hours
Touch Screen	5-wire resistive/ 35 Million activities
I/O	
Audio	MIC-in x1 , Line-in / Line-out x1
USB	USB 2.0 x 7
Serial port	RS-232 x 2, VGA x1
Ethernet	Isolated Gigabit LAN X 1
Keyboard & Mouse	PS/2 Keyboard x 1, PS/2 Mouse x 1
Video	S-video out (TV out) / S-video in (optional)
Speaker	2 W Speaker x 2
Mechanical and Environmental	
Power Requirement	100 ~ 240V AC, 180W
Operating Temp.	0°C ~ 40°C (32°F ~ 104°F)
Storage Temp.	-20°C ~ 60°C (-4°F ~140°F)
Storage Humidity	5% ~ 95% @ 40°C, Non-Condensing
Mounting	VESA 75 mm
Net Weight	17.6 lb (8 kg)
EMC	CE/FCC Class B, UL 60601-2, EN60601-1, IEC60601-1-2:2007



Dimension

Unit: mm



Ordering Information

- » TF-ONYX-155HT-A1-1010
Expert Medical Station, Core™ 2 Duo 2.0GHz CPU, 15" True Color LCD
- » TF-ONYX-155HT-A2-1010
Expert Medical Station, Core™ 2 Duo 1.66GHz CPU, 15" True Color LCD
- » TF-ONYX-155HTT-A1-1010
Expert Medical Station, Core™ 2 Duo 2.0GHz CPU, 15" True Color LCD, R-TS
- » TF-ONYX-155HTT-A2-1010
Expert Medical Station, Core™ 2 Duo 1.66GHz CPU, 15" True Color LCD, R-TS

Optional Accessories

- » TF-PER-M01
Bluetooth 2.0 + EDR USB Module
- » TF-PER-M08
Barcode Scanner, 500 Scans Per Second
- » TF-PER-M61
SATA Slim Auto Insertion DVD+/-RW, White Color
- » PER-M20
Desktop Stand with VESA 75/100, Cool Gray 3C
- » TF-PER-M21
Smart Card Reader Kit
- » TF-PER-M29
Mini-PCI Capture Card
- » TF-PER-M71
Mini-PCI WLAN 802.11 b/g Module
- » TF-PER-M75
Mini-PCI WLAN 802.11 a/b/g/n Module
- » TF-PER-M79
Mini Card WLAN 802.11 b/g/n Module