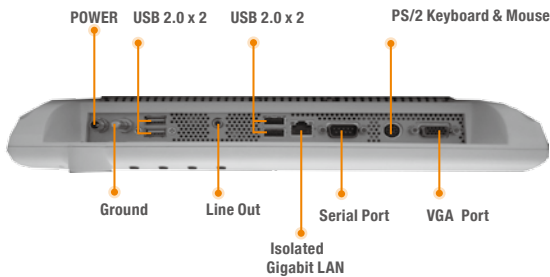


# ONYX-122

## 11.6" LED Panel C2D Fanless Slim Medical Panel PC



### Features



- Intel® Core™ 2 Duo ULV Processor
- 11.6" WXGA Color TFT-LCD with LED Backlight Display
- Easy To Use, Compact, Simple Design
- Fanless, Zero Noise
- Resistive Touchscreen (Optional)
- 802.11a/b/g/n Wireless Antenna (Optional)
- CE/FCC Class B, EN/UL60601-1 Medical Certification



### Specifications

#### Main System

<b>Processor</b>	Intel® Core™ 2 Duo ULV 1.06 GHz (U7500)
<b>System Memory</b>	DDRII SODIMM supports DDRII 400/533 up to 2 GB (optional)
<b>Chipset</b>	Intel®945 GME + ICH7M
<b>OS Support</b>	Windows® XP, XP Pro, XPE, WES, WES 7, Windows® 7
<b>Expansion</b>	Mini-PCI x 1
<b>Storage Disk Drive</b>	2.5" SATA Hard Disk Drive x 1, Internal CFD x 1

#### Display

<b>Size</b>	11.6" LED Panel
<b>Resolution</b>	1366 x 768
<b>Max. Colors</b>	262K
<b>Luminance</b>	200 nits
<b>View Angle</b>	90°(H)/50°(V)
<b>Contrast Ratio</b>	500 : 1
<b>Back Light MTBF (Hours)</b>	15,000 Hours
<b>Touch Screen</b>	4-wire Resistive/ 10 million activities

#### I/O

<b>Audio</b>	Line out x 1
<b>USB</b>	USB 2.0 x 4
<b>Serial Port</b>	RS-232 x 1
<b>Ethernet</b>	Isolated Gigabit LAN X 1
<b>DVI</b>	VGA x 1
<b>Keyboard &amp; Mouse</b>	PS/2 Keyboard & Mouse x1
<b>Speaker</b>	2W x 2
<b>Ground Protection</b>	DIN 42801

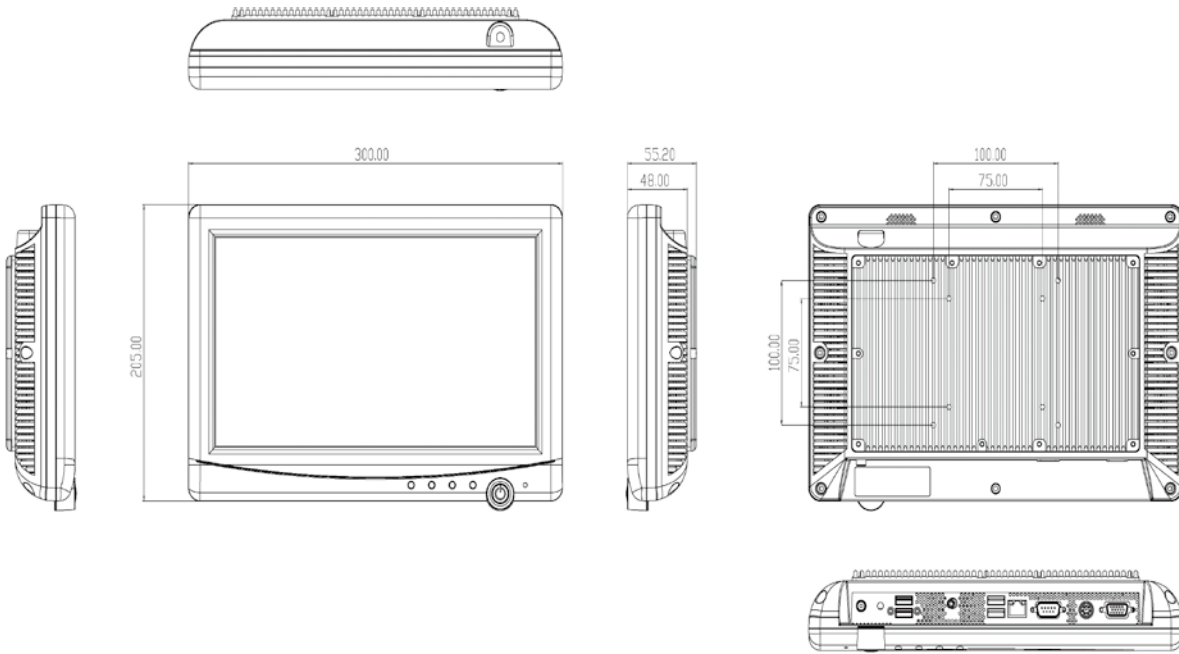
#### Mechanical and Environmental

<b>Power Requirement</b>	DC 12 V
<b>Operating Temperature</b>	32°F ~ 95°F (0°C ~ 35°C)
<b>Storage Temperature</b>	-4°F ~ 140°F (-20°C ~ 60°C)
<b>Mounting</b>	VESA 75/100 mm
<b>Net Weight</b>	12.32 lb (5.6 kg)
<b>EMC</b>	CE/FCC Class B, UL 60601-1, EN 60601-1



## Dimension

Unit: mm



## Ordering Information

- » TF-ONYX-122DT-A1-1010  
MED Slim PPC, Intel Core™ 2 Duo ULV 1.06 GHz (U7500), 11.6" LCD, 4 USB, DC12V, 2G RAM
- » TF-ONYX-122DTT-A1-1010  
MED Slim PPC, Intel Core™ 2 Duo ULV 1.06 GHz (U7500), 11.6" LCD, 4 USB, DC12V, 2G RAM, R-TS

## Optional Accessories

- » PER-M18  
Desktop Stand with VESA100, Cool Gray 1C
- » TF-PER-M63  
WLAN Kit, IEEE 802.11 a/b/g/n
- » PER-M64 (TBC)  
Physican Cart, w/o battery
- » PER-M68 (TBC)  
Nursing Cart, w/o battery
- » TF-PER-M71  
Wireless LAN Kit, 802.11b/g
- » TF-PER-M77  
Medical Adapter, 80W, 12V, 40cm Cable
- » Recommended Hard Drive  
2.5" 250GB SATA HDD (5400RPM)

