

San Ace 80 WF

Oil Proof Fan

Features

The product can be used in an oil mist environment (environment where cutting oil scatters in the form of a mist).

Oil resistant materials protect coils and electronic parts. Therefore, even in a severe environment with oil mist, the product maintains stable operation.



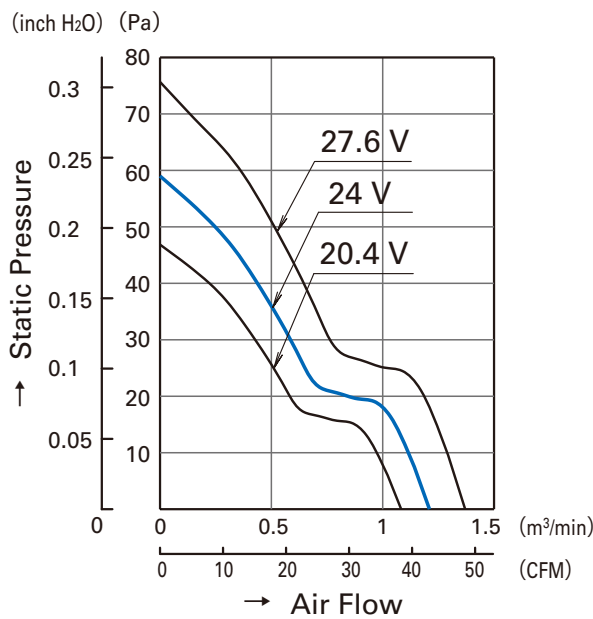
Oil Proof Fan 80mm

80 mm square × **25** mm thick

Specifications

Model No.	Rated Voltage (V)	Operating Voltage Range (V)	Rated Current (A)	Rated Input (W)	Rated Speed (min ⁻¹)	Air Flow (m ³ /min) (CFM)	Static Pressure (Pa) (inchH ₂ O)	SPL (dB[A])	Operating Temperature Range (°C)	Life Expectancy (h)
9WF0824S401	24	20.4 to 27.6	0.16	3.84	4,000	1.2 42.3	58 0.232	38	-10 to +70	40,000

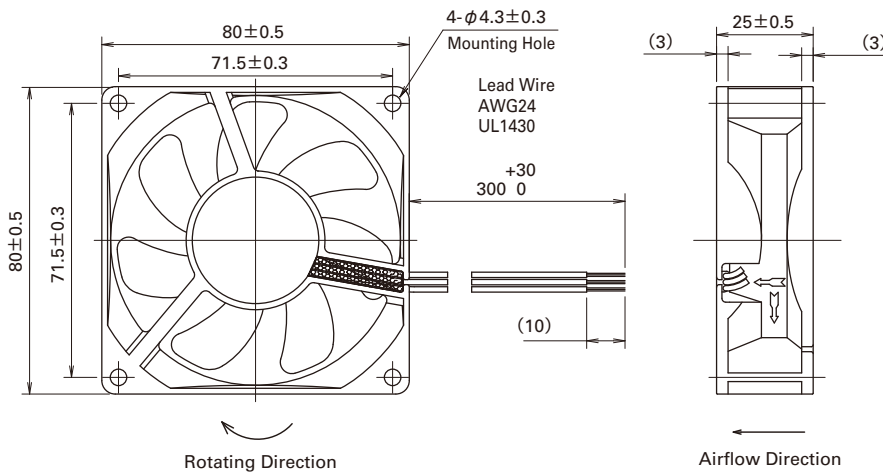
Air Flow and Static Pressure Characteristics



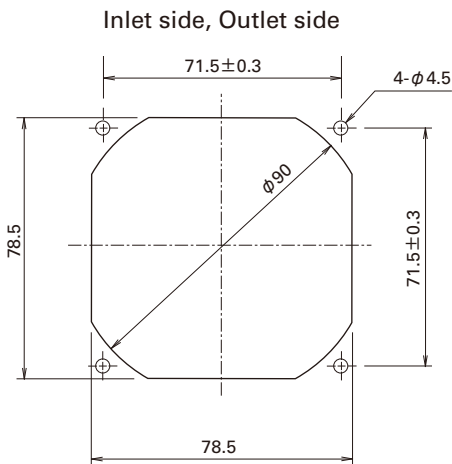
9WF0824S401

80mm

■ Dimensions (unit : mm)



■ Reference dimension of mounting holes and vent opening (unit : mm)



■ Common Specifications

- Material Frame, Impeller: Plastics (Flammability: UL94V-0)
- Life Expectancy Varies for each model
(L10:Survival rate: 90% at 60°C, rated voltage,and continuously run in a free air state)
- Motor Protection System Current blocking function and Reverse polarity protection
- Dielectric Strength 50/60 Hz, 500VAC, 1 minute (between lead conductor and frame)
- Sound Pressure Level (SPL) Expressed as the value at 1m from air inlet side
- Operating Temperature Range Varies for each model (Non-condensing)
- Lead Wire ⊕red ⊖black Sensor : yellow
- Mass 130g

* Usage of this product requires an evaluation with the oil that will be used.

Notice

- The products shown in the catalog are subject to Japanese Export Control Law. Diversion contrary to the law of exporting country is prohibited.
- To protect against electrolytic corrosion that may occur in locations with strong electromagnetic noise, we provide fans that are unaffected by electrolytic corrosion.

SANYO DENKI CO., LTD. 1-15-1, Kita-otsuka, Toshima-ku, Tokyo 170-8451, Japan. PHONE :+ 81 3 3917 5151 Home Page:<http://www.sanyodenki.co.jp>