

# ONYX-195

Expert Medical Station, 19" LCD with Intel® Core™ 2 Duo Processor



RFID (Optional)

ON Screen Display Control



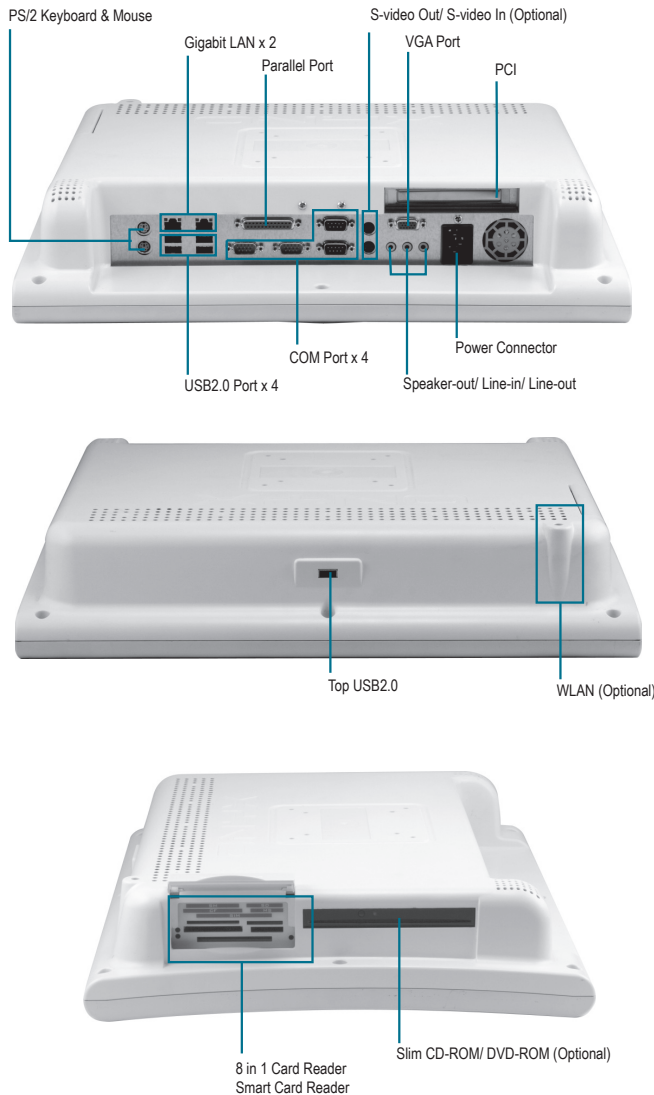
## Features

- 19" True Color Diagnostic Medical PC
- High Performance Intel® Core™ 2 Duo Processor
- Built-in RFID and Smart Card Security (Optional)
- PCI Expansion
- Mini PCI Capture Card Supports Non-DICOM to DICOM CAM (Optional)
- 802.11b/g and Bluetooth Wireless Solution (Optional)



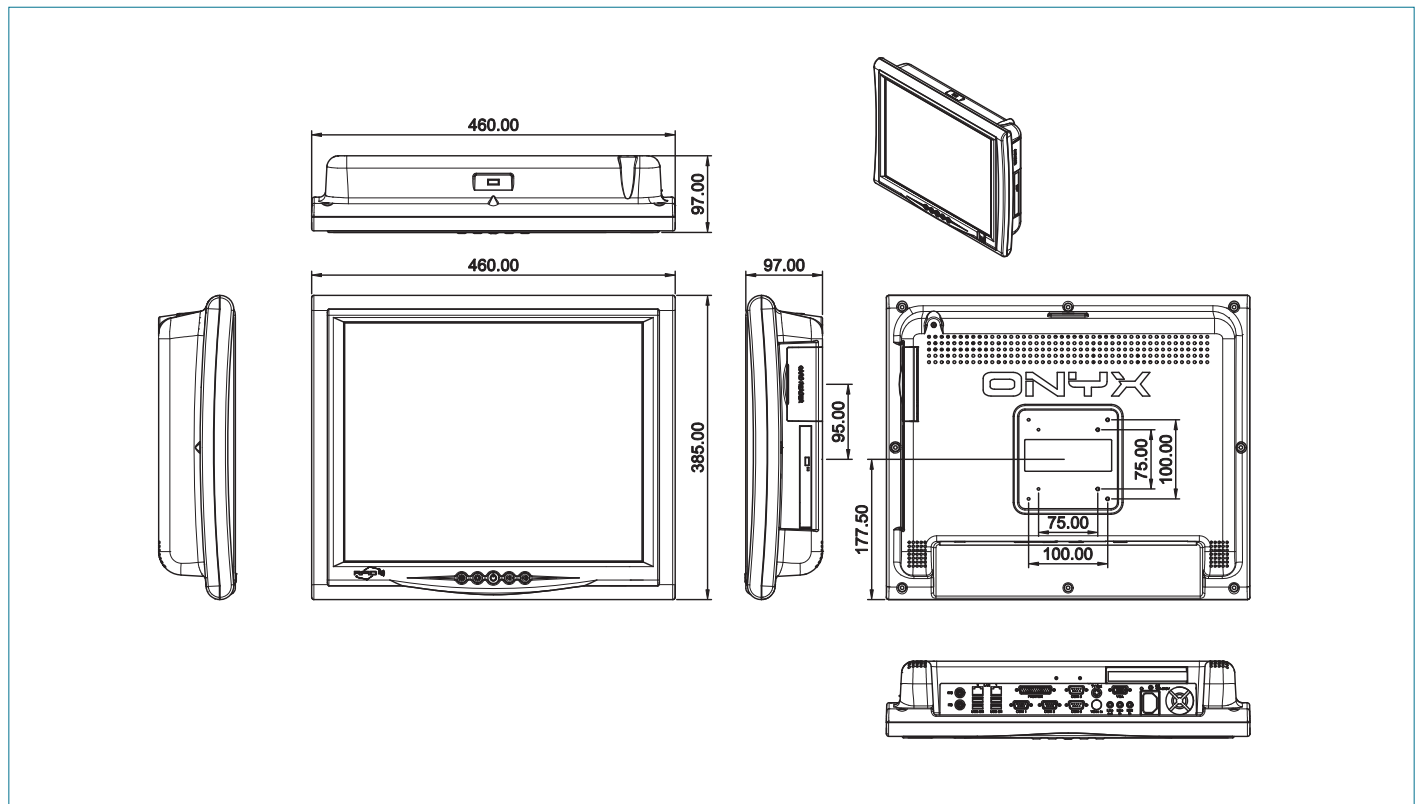
## Specifications

| Main Specifications          |  |
|------------------------------|--|
| Processor                    | Intel® Core™ 2 Duo Processor (up to 2.16GHz)   |
| System Memory                | DDRII SODIMM supports DDRII 400/533/667 up to 2GB  |
| OS Support                   | Windows® 2000, Windows® XP   |
| Expansion                    | PCI x 1, Mini PCI x 1  |
| Storage Disk Drive           | Slim DVD/CD x 1 (optional), 2.5" SATA Hard Disk Drive x 1 (optional), 8-in-1 Card Reader x 1, Smart Card Reader x 1 (optional) |
| Display                      |  |
| Size                         | 19"  |
| Resolution                   | 1280 x 1024  |
| Max. Colors                  | 16.7M  |
| Luminance                    | 300 nits   |
| Contrast Ratio               | 550:1  |
| View Angle                   | 140°(H)/135°(V)  |
| Back Light MTBF (Hours)      | 50,000   |
| Touch Screen                 | Resistive / 2048x2048  |
| I/O                          |  |
| Audio                        | MIC-in, Line-in, Line-out  |
| USB                          | External x 5, Internal x 3   |
| Serial port                  | RS-232 x 3, RS-232/422/485 x 1   |
| Ethernet                     | Isolated Gigabit LAN x 2   |
| Parallel port                | Printer port x 1   |
| Keyboard & Mouse             | PS/2 keyboard x 1, PS/2 mouse x 1  |
| Video                        | S-video out x 1 / S-video in x 1 (optional)  |
| Speaker                      | Speaker x 2 (2W)   |
| Mechanical and Environmental |  |
| Power Requirement            | 115/230V AC  |
| Operating Temperature        | 32°F ~ 104°F (0°C ~ 40°C)  |
| Storage Temperature          | -4°F ~ 140°F (-20°C ~ 60°C)  |
| Mounting                     | VESA 75/100  |
| Gross Weight                 | 22 lb (10 kg)  |
| Net Weight                   | 18.7 lb (8.5kg)  |
| EMC                          | CE/FCC Class B, UL 60601-1, EN 60601-1   |



# ONYX-195

Dimension Unit: mm



## Ordering Information

- **TF-ONYX-195HT-A1-1010**  
Expert Medical Station, Core™ 2 Duo 2.0GHz (T7200) CPU, 19" True Color LCD
- **TF-ONYX-195HTT-A1-1010**  
TF-ONYX-195HT-A1-1010 with R-TS
- **TF-ONYX-195HT-A2-1010**  
Expert Medical Station, Core™ 2 Duo 1.66GHz (T5500) CPU, 19" True Color LCD
- **TF-ONYX-195HTT-A2-1010**  
TF-ONYX-195HT-A2-1010 with R-TS
- **TF-ONYX-195HT-F1-1010**  
Expert Medical Station, Core™ 2 Duo 2.0GHz (T7200) CPU with RFID
- **TF-ONYX-195HTT-F1-1010**  
TF-ONYX-195HT-F1-1010 with R-TS
- **TF-ONYX-195HT-F2-1010**  
Expert Medical Station, Core™ 2 Duo 1.66GHz (T5500) CPU with RFID
- **TF-ONYX-195HTT-F2-1010**  
TF-ONYX-195HT-F2-1010 with R-TS

## Optional Accessories

- **DDRII SODIMM Supports DDRII 400/533/667**
- **TF-PER-M21**  
Smart Card reader kit
- **TF-PER-M00**  
Slim Auto Insertion DVD ROM, 8X, COMBO, White color
- **TF-PER-M03**  
Slim Auto Insertion DVD-RW, White color
- **TF-PER-M29**  
Mini-PCI Capture card
- **TF-PER-M02**  
PCI TV tuner, Capture Card
- **TF-PER-M08**  
Barcode Scanner, 500 scans per second
- **TF-PER-M04**  
USB Skype phone
- **TF-PER-M01**  
Bluetooth 2.0 + EDR USB Module
- **TF-PER-M17**  
USB Finger printer
- **9741666646**  
Wireless LAN Kit
- **PER-M20**  
Desktop Stand with VESA 75/100, Cool gray 3C
- **PER-M19**  
3-level trolley