

ONYX-175S

Expert Medical Station, 17" LCD with Intel® Core™ 2 Duo Processor and COM Isolation

01

ONYX Series - Medical Station Solutions - Expert Medical Stations



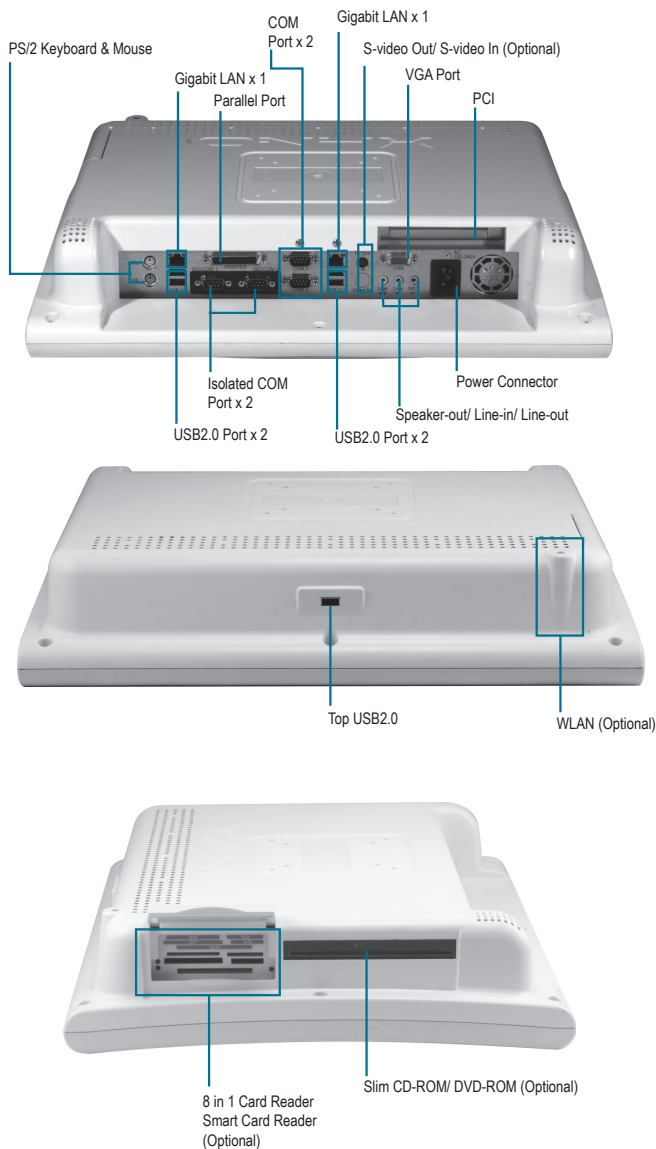
Features

- 17" True Color Diagnostic Medical PC
- High Performance Intel® Core™ 2 Duo Processor
- Isolation COM x 2
- Built-in RFID Security (Optional)
- PCI Expansion
- Mini PCI Capture Card Supports Non-DICOM to DICOM CAM (Optional)
- 802.11b/g and Bluetooth Wireless Solution (Optional)



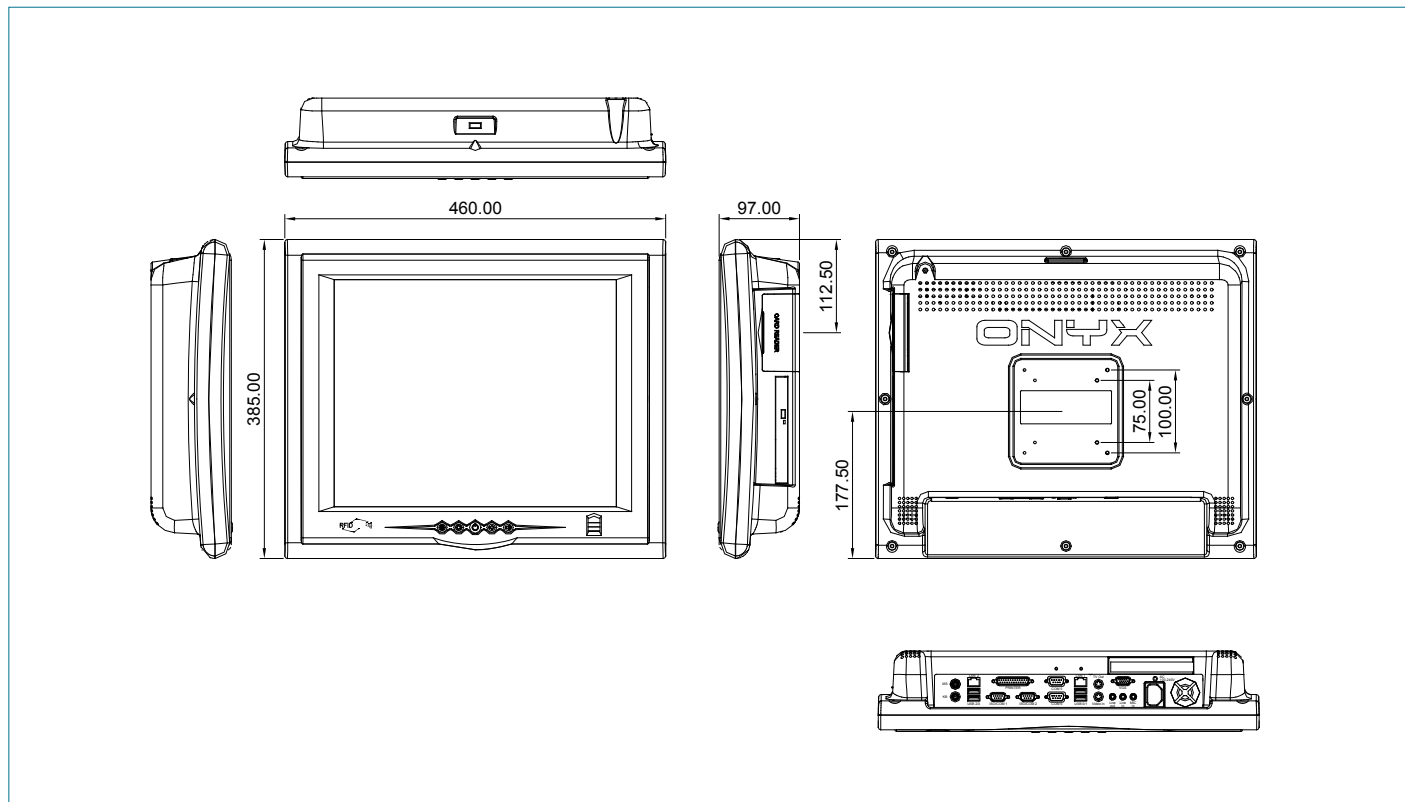
Specifications

Main Specifications	
Processor	Intel® Core™ 2 Duo Processor (up to 2.16GHz)
System Memory	DDRII SODIMM supports DDRII 400/533/667 up to 2GB
OS Support	Windows® 2000, Windows® XP
Expansion	PCI x 1, Mini PCI x 1
Storage Disk Drive	Slim DVD/CD x 1 (optional), 2.5" SATA Hard Disk Drive x 1 (optional), 8-in-1 Card Reader x 1, Smart Card Reader x 1 (Optional)
Display	
Size	17"
Resolution	1280 x 1024
Max. Colors	16.7M
Luminance	300 nits
View Angle	140°(H)/135°(V)
Contrast Ratio	500:1
Back Light MTBF (Hours)	50,000
Touch Screen	Resistive / 2048 x 2048
I/O	
Audio	MIC-in, Line-in, Line-out
USB	External x 5, Internal x 3
Serial port	Isolated RS-232 x 2, RS-232 x 2
Ethernet	Isolation Gigabit x 2
Parallel port	Printer x 1
Keyboard & Mouse	PS/2 keyboard x 1, PS/2 mouse x 1
Video	S-video out x 1 / S-video in (optional) x 1
Speaker	Speaker x 2 (2W)
Mechanical and Environmental	
Power Requirement	100/240V AC
Operating Temperature	32°F ~ 104°F (0°C ~ 40°C)
Storage Temperature	-4°F ~ 140°F (-20°C ~ 60°C)
Mounting	VESA 75/100
Gross Weight	21.56 lb (9.8 kg)
Net Weight	18.26 lb (8.3 kg)
EMC	CE/FCC Class B, UL 60601-1, EN 60601-1



ONYX-175S

Dimension Unit: mm



Ordering Information

- **TF-ONYX-175ST-A1-1010**
Super Medical Station, Core™ 2 Duo 2.0GHz (T7200) CPU, 17" True Color LCD, 2 COM Isolation
- **TF-ONYX-175STT-A1-1010**
TF-ONYX-175ST-A1-1010 W/Resistive Touch Screen
- **TF-ONYX-175ST-A2-1010**
Super Medical Station, Core™ 2 Duo 1.66GHz (T5500) CPU, 17" True Color LCD, 2 COM Isolation
- **TF-ONYX-175STT-A2-1010**
TF-ONYX-175ST-A2-1010 W/Resistive Touch Screen
- **TF-ONYX-175ST-F1-1010**
TF-ONYX-175ST-A1-1010 With RFID
- **TF-ONYX-175STT-F1-1010**
TF-ONYX-175STT-A1-1010 With RFID
- **TF-ONYX-175ST-F2-1010**
TF-ONYX-175ST-A2-1010 With RFID
- **TF-ONYX-175STT-F2-1010**
TF-ONYX-175STT-A2-1010 With RFID

Optional Accessories

- **DDRII SODIMM Supports DDRII 400/533/667**
- **TF-PER-M21**
Smart Card reader kit
- **TF-PER-M00**
Slim Auto Insertion DVD ROM, 8X, COMBO, White color
- **TF-PER-M03**
Slim Auto Insertion DVD-RW, White color
- **TF-PER-M29**
Mini-PCI Capture card
- **TF-PER-M02**
PCI TV tuner, Capture Card
- **TF-PER-M08**
Barcode Scanner, 500 scans per second
- **TF-PER-M04**
USB Skype phone
- **TF-PER-M01**
Bluetooth 2.0 + EDR USB Module
- **TF-PER-M17**
USB Finger printer
- **9741666646**
Wireless LAN Kit
- **PER-M20**
Desktop Stand with VESA 75/100, Cool gray 3C
- **PER-M19**
3-level trolley