

Copyright

This documentation and the software routines contained in the PCL-833 software disk are copyrighted 1994 by Advantech Co., Ltd. All rights are reserved. Advantech Co., Ltd. reserves the right to make improvements in the products described in this manual at any time without notice.

No part of this manual may be reproduced, copied, translated or transmitted in any form or by any means without the prior written permission of Advantech Co., Ltd. Information provided in this manual is intended to be accurate and reliable. However, Advantech Co., Ltd. assumes no responsibility for its use, nor for any infringements of the rights of third parties which may result from its use.

Acknowledgments

PC-LabCard is a trademark of Advantech Co., Ltd. IBM and PC are trademarks of International Business Machines Corporation. MS-DOS, Microsoft C and Quick Basic are trademarks of Microsoft Corporation. BASIC is a trademark of Dartmouth College. Intel is a trademark of Intel Corporation. Turbo C is a trademark of Borland International.

Contents

| | | |
|--|----------------------------|-----------|
| Chapter 1 | General information | 1 |
| Introduction | | 2 |
| Encoder interface | | 2 |
| Counters | | 2 |
| Digital input and interrupts | | 2 |
| Features | | 3 |
| Applications | | 3 |
| Specifications | | 4 |
| Encoder input | | 4 |
| Digital input | | 4 |
| Programmable interrupt controller | | 4 |
| General | | 4 |
| Block diagram | | 5 |
| Chapter 2 | Installation | 7 |
| Initial inspection | | 8 |
| Switch and jumper settings | | 8 |
| Base I/O address (SW1) | | 8 |
| Interrupt level (JP1) | | 9 |
| Connector pin assignments | | 11 |
| Connector wiring | | 12 |
| Hardware installation | | 13 |
| Software installation | | 14 |
| Chapter 3 | Operation | 15 |
| Quadrature encoder introduction | | 16 |
| Counter modes | | 17 |
| Digital noise filter | | 18 |
| Latch mode | | 19 |
| Counter reset value | | 20 |
| Reset after latch | | 20 |

| | |
|--|-----------|
| Cascade mode | 20 |
| Timer function | 21 |
| Interrupt function | 22 |
| Chapter 4 Programming | 23 |
| Driver programs | 24 |
| Basic program structure | 24 |
| Driver functions | 25 |
| Write functions | 25 |
| Read functions | 28 |
| Compiling and linking with C compilers | 28 |
| Borland C | 28 |
| Microsoft C | 29 |
| Chapter 5 Register structure and format | 31 |
| Register format (read) | 32 |
| Register format (write) | 34 |
| Appendix A 8259A Data Sheet | 39 |

Introduction

The PCL-833 is a 3-axis quadrature encoder and counter add-on card for the IBM PC/AT and compatibles (ISA bus). This card lets your PC perform position monitoring for motion control systems. It provides three 24-bit up/down counters as quadrature encoders and a 16-MHz oscillator timebase with wide-range multiplier. An on-board interrupt controller handles nine different interrupt sources.

Encoder interface

Each input includes a decoding circuit for incremental quadrature encoding. Inputs accept either single-ended or differential signals. Quadrature input works with or without an index, allowing linear or rotary encoder feedback.

Counters

The PCL-833 has three independent 24-bit counters. The maximum quadrature input rate is 1.0 MHz, while the maximum input rate in counter mode is 2.4 MHz. You can individually configure each counter for quadrature decoding, pulse/direction counting or up/down counting.

Digital input and interrupts

The PCL-833 provides five digital input channels. The channels accept digital input as an index input for a rotary encoder or as a home sensor input for a linear encoder.

The card can generate an interrupt to the system based on a signal from its digital inputs, overflow/underflow of its counters or on a programmed time interval. It can repeatedly generate interrupts at any time interval you specify, 0.1 msec to 255 sec. These interrupts let you precisely monitor the speed of a control system.

Features

- Three 24-bit up/down counters (cascade for up to 48 bits)
- 1.0 MHz max quadrature input rate
- 2.4 MHz max. input pulse rate
- Single ended or differential inputs
- Pulse/direction and up/down counter
- X1, X2, X4 counts for each encoder cycle
- Optically isolated up to 2500 V
- 4-stage digital filter with selectable sampling rate
- 16-MHz oscillator timebase with wide-range multiplier
- On-board interrupt controller with nine different interrupt sources
- Digital input with interrupt for each axis
- Programmable time interval interrupt
- Half-size AT-bus card

Applications

- Motion control
- Position sensing, monitoring and measuring
- Coordinate measuring machines
- X-Y table monitors
- Robotics
- Machine control

Specifications

Encoder input

- **No. of Axes:** Three independent axes
- **Max. quadrature input freq.:** 1.0 MHz
- **Max. input pulse freq.:** 2.4 MHz
- **Counts per encoder cycle:** 1, 2 or 4 (s/w selectable)
- **Encoder type:** Single-ended or differential
- **Counter size:** 24 bits, easily daisychains for up to 48 bits
- **Counter modes:**
Quadrature, up/down, count/direction (s/w selectable)
- **Digital filter:** 4 stage
- **Sample clock freq.:** 8, 4 or 2 MHz (s/w selectable)
- **Input isolation:** 2500 V_{RMS} using optical isolators

Digital input

- **No. of channels:** five differential, with interrupt
- **Input isolation:** 2500 V_{RMS} using optical isolators

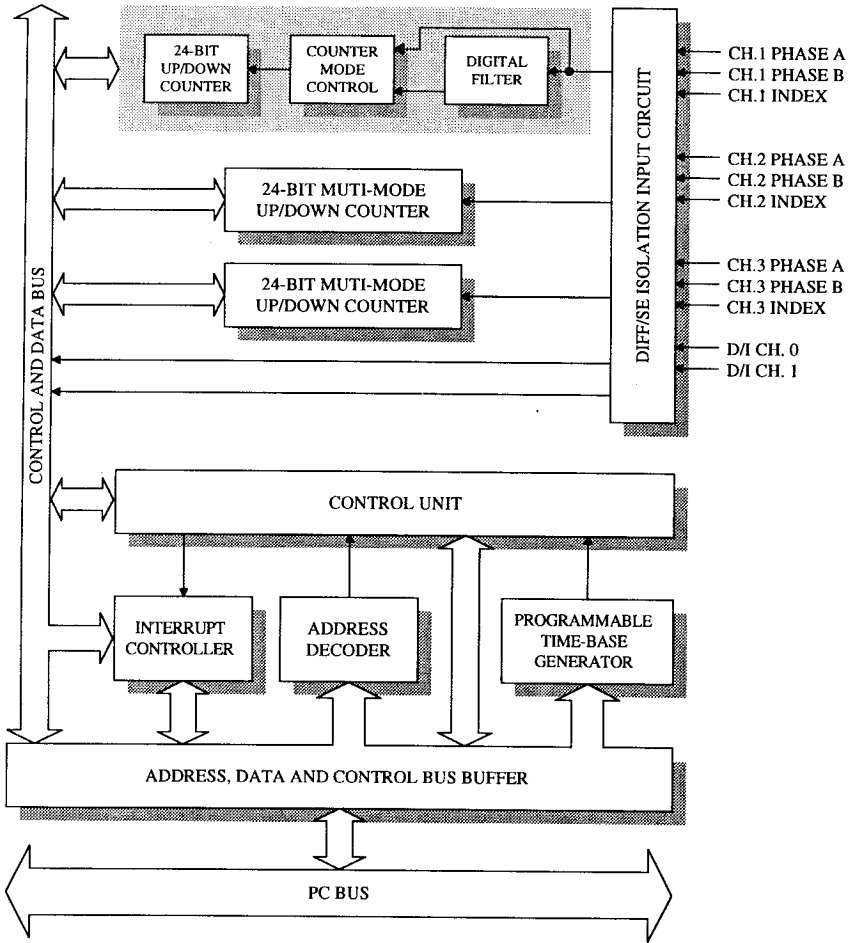
Programmable interrupt controller

10-Hz, 1-KHz or 10-KHz time base (s/w selected) with a programmable multiplier from 1 to 255

General

- **Connector:** DB-25
- **Board dimensions:** 185 mm x 100 mm

Block diagram



Initial inspection

In addition to this manual the shipping container should contain the PCL-833 card and a utility diskette. We carefully inspected the PCL-833 mechanically and electrically before we shipped it. It should be free of marks and scratches and in perfect electrical order on receipt.

As you unpack the card, check it for signs of shipping damage (damaged box, scratches, dents, etc.). If it is damaged or fails to meet its specifications, notify our service department or your local sales representative immediately. You will need to contact the carrier so that it can inspect the shipping carton and packing material. We will then arrange to repair or replace the unit.

Remove the PCL-833 interface card from its protective packaging carefully. Keep the antistatic package. Whenever you are not using the board, please store it in the packaging for protection.

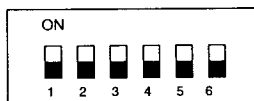
Warning! *Discharge any static electric charge on your body by touching grounded metal before you handle the board. You should avoid contact with materials that create static electricity such as plastic, vinyl, and styrofoam. Handle the board by its edges to avoid contacting the board's integrated circuits.*

Switch and jumper settings

DIP switch SW1 sets the card's I/O address and jumper JP1 sets the card's interrupt level.

Base I/O address (SW1)

The PCL-833 requires 16 consecutive I/O addresses. DIP switch SW1 (shown below) sets the base I/O address.



Choose a base address that is not in use by any other I/O device. A conflict with another device may cause one or both devices to fail. The factory address setting (hex 200) is usually free as it is reserved for PC prototype boards.

Jumper settings for various base addresses appear below:

| Card I/O addresses (SW1) | | | | | | |
|--------------------------|-----------------|---|---|---|---|---|
| Range (hex) | Switch position | | | | | |
| | 1 | 2 | 3 | 4 | 5 | 6 |
| *200 - 20F | ● | ○ | ○ | ○ | ○ | ○ |
| 210 - 21F | ● | ○ | ○ | ○ | ○ | ● |
| 220 - 22F | ● | ○ | ○ | ○ | ● | ○ |
| 230 - 23F | ● | ○ | ○ | ○ | ● | ● |
| 240 - 24F | ● | ○ | ○ | ● | ○ | ○ |
| ⋮ | | | | | | |
| 3F0 - 3FF | ● | ● | ● | ● | ● | ● |

○ = On ● = Off * = default

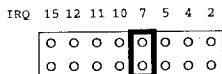
Note: Switches 1-6 control the PC bus address lines as follows:

| | | | | | | |
|---------------|----|----|----|----|----|----|
| Switch | 1 | 2 | 3 | 4 | 5 | 6 |
| Line | A9 | A8 | A7 | A6 | A5 | A4 |

Interrupt level (JP1)

The jumper JP1 selects the card's interrupt level (2, 4, 5, 7, 10, 11, 12 15), as shown below:

Card interrupt (default = 7)



Do not select a level that is being used by another device unless you have performed special programming to share several devices on one interrupt.

To use the interrupt you must install an interrupt service routine and program the PCL-833's on-board the 8259 interrupt controller.

Nine different conditions can enable the PCL-833's interrupt, but only one at a time.

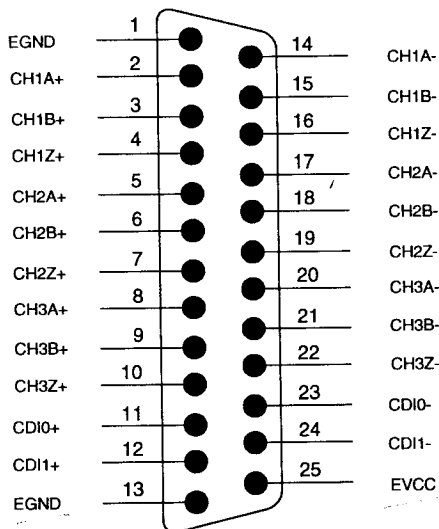
| Interrupt source | Condition |
|-------------------------|-------------------------|
| 0 | CH1 overflow |
| 1 | CH2 overflow |
| 2 | CH3 overflow |
| 3 | CH1 ZIN |
| 4 | CH2 ZIN |
| 5 | CH3 ZIN |
| 6 | DI0 |
| 7 | Shared by TIMER and DI1 |

Bit 3 of register BASE+9 switches interrupt source 7 between the card's TIMER and DI1. See Chapter 3 for details.

You should treat all the interrupt sources as positive-edge triggered when you program the 8259.

Connector pin assignments

You make all connections to the PCL-833 through a single DB-25 connector, shown below:



Connector pin assignments appear below:

| Pin | Function |
|-------|---|
| EGND | External ground |
| EVCC | External Vcc, DC 5V \pm 0.25 V |
| CH1A- | Channel 1 A differential negative- input |
| CH1A+ | Channel 1 A differential positive - input |
| CH1B- | Channel 1 B differential negative - input |
| CH1B+ | Channel 1 B differential positive - input |
| CH1Z- | Channel 1 Z differential negative - input |
| CH1Z+ | Channel 1 Z differential positive - input |
| CH2A- | Channel 2 A differential negative- input |
| CH2A+ | Channel 2 A differential positive - input |

| Pin | Function |
|-------|---|
| CH2B- | Channel 2 B differential negative - input |
| CH2B+ | Channel 2 B differential positive - input |
| CH2Z- | Channel 2 Z differential negative - input |
| CH2Z+ | Channel 2 Z differential positive - input |
| CH3A- | Channel 3 A differential negative - input |
| CH3A+ | Channel 3 A differential positive - input |
| CH3B- | Channel 3 B differential negative - input |
| CH3B+ | Channel 3 B differential positive - input |
| CH3Z- | Channel 3 Z differential negative - input |
| CH3Z+ | Channel 3 Z differential positive - input |
| CDI0- | Digital input No. 0 differential negative - input |
| CDI0+ | Digital input No. 0 differential positive - input |
| CDI1- | Digital input No. 1 differential negative - input |
| CDI1+ | Digital input No. 1 differential positive - input |

Connector wiring

External/internal power

If you use an external power supply, connect pins 1 and 13 to external ground and connect pin 25 to external V_{CC} .

If you use the card's internal power supply, place 0- Ω resistors (jumper wires) at locations L1 and L2 on board (see labels printed on board).

Differential/single-ended input

With differential inputs connect the negative wire to the negative pin and the positive wire to the positive pin. For example, with channel 3 A connect the negative input wire to CH3A- and the positive wire to CH3A+.

With single-ended inputs connect the input to the positive pin and leave the negative pin open.

AB phase encoder

In 2-pulse input mode A inputs (CH1A, CH2A, etc.) count up while their corresponding B inputs (CH1B, CH2B) count down.

In 1-pulse input mode A inputs (CH1A, etc.) count up or down and B inputs (CH1B, etc.) determine the direction to count. A logical high (1) on the B channel indicates that the pulse on the A channel is an up count, and a logical low (0) indicates that the pulse is a down count.

Hardware installation

Warning! *Disconnect power from your PC whenever you install or remove the PCL-833 or its cables*

Installing the card in your computer:

1. Turn off the computer and all peripheral devices (such as printers and monitors).
2. Disconnect the power cord and any other cables from the back of the computer. Turn the chassis so the back of the unit faces you.
3. Remove the chassis cover (see your computer users guide if necessary).
4. Locate the expansion slots at the rear of the unit and choose an unused slot.
5. Remove the screw that secures the expansion slot cover to the chassis. Save the screw to secure the PCL-833.
6. Carefully grasp the upper edge of the PCL-833 card. Align the hole in the retaining bracket with the hole on top of the expansion slot, and align the gold striped edge connector with the expansion slot socket. Press the board firmly into the socket.
7. Replace the screw in the expansion slot retaining bracket.
8. Attach necessary accessories to the card.
9. Replace the chassis cover. Connect the cables you removed in step 2. Turn on the computer.

Hardware installation is now complete. You can now install the software driver as described in the next section.

The utility diskette included with the PCL-833 holds a test utility program, example programs and driver programs. We supply the driver as C source code for Borland and Microsoft compilers. To use the driver you compile it along with your program.

See Chapter 4 for more information.

The following table describes the contents of the disk.

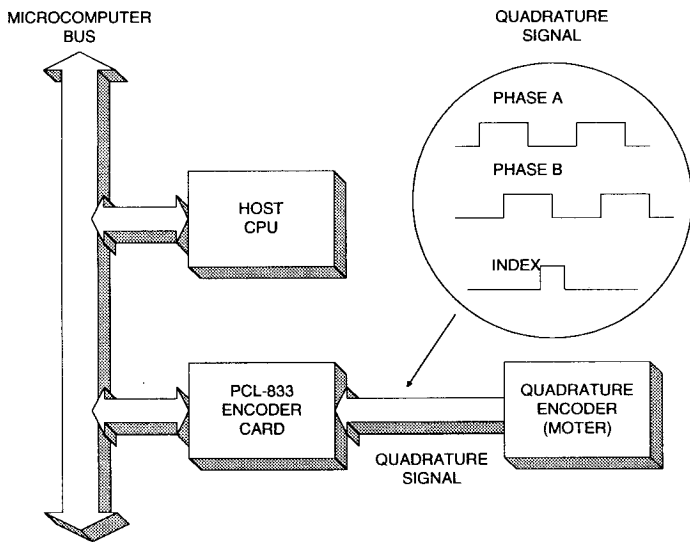
| Program | Description |
|----------------|---|
| 833test.exe | Tests most of the PCL-833's functions |
| 833demo1.c | Example program which uses the PCL-833 driver to perform A B phase encoding on 3 channels |
| 833demo2.c | Example program which performs 2-pulse encoding on a 48-bit counter (Channel 1 cascades into Channel 2) |
| 833demo3.c | Example program which shows how to use card's interrupt functions |
| 833tc.c | Software driver program for Borland Turbo C and Borland C compilers |
| 833mc.c | Software driver program for Microsoft C compilers |

Make a working copy of the master disk and store the master disk in a safe place. You can use COPY or DISKCOPY to copy the disk files to another floppy disk or use COPY to copy the files to a hard disk.

Quadrature encoder introduction

In typical closed-loop control systems, also known as servo systems, the encoder interface senses motor position and sends a position signal to the controller. The diagram below shows a typical servo system.

The encoder generates pulses which indicate the shaft position. The encoder output includes two signals, commonly called channel A and channel B, which generate N pulses per revolution. The two signals are shifted by a quarter of a cycle, as shown below. The shift between the two signals enables the controller to determine the direction of rotation, depending on whether channel A leads channel B or vice versa.



Single-ended vs. differential input

Most encoders produce square wave signals with TTL levels. Industrial systems often use encoders with differential signals, i. e. channel A and B and their complements. Differential signals can reduce sensitivity to noise and allow longer transmission distances. Encoders may also produce a third signal once per revolution known as the index or marker. The encoder interface can use the index signal to reset the counter, allowing you to monitor the position within the current revolution.

Counter modes

The following table shows the maximum input rate for each input mode and system clock rate. Values are given for each system clock frequency.

| Mode | Maximum input rate | | |
|-----------------------|--------------------|---------|---------|
| | 8 MHz | 4 MHz | 2 MHz |
| Quadrature X1, X2, X4 | 1 MHz | 600 KHz | 300 KHz |
| 2-pulse | 2.4 MHz | 1.2 MHz | 600 KHz |
| Pulse/direction | 2.4 MHz | 1.2 MHz | 600 KHz |

Counter modes are as follows:

Quadrature input counter mode

Quadrature input consists of two square wave inputs (A and B) which are 90° out of phase. The PCL-833 counts the square wave transitions and determines the direction by comparing whether channel A is leading channel B or vice versa.

There are three different counting methods in quadrature input mode:

- X1** The counter will increment (or decrement) the counter whenever a rising edge occurs on input channel A.
- X2** The counter will increment (or decrement) whenever a rising or falling edge occurs on input channel A.
- X4** The counter will increment (or decrement) whenever a rising or falling edge occurs on input channel A or B.

2-pulse mode

In 2-pulse mode the PCL-833 uses two input pulses as counting sources: one for clockwise (CW) and one for counterclockwise (CCW) counting. The counter will decrement whenever a rising edge occurs on channel A. It will increment whenever a rising edge occurs on channel B.

Pulse/direction mode

In pulse/direction mode the PCL-833 uses one input line (A) for pulse input and one line (B) for direction. If channel B is high (1), the counter will decrement whenever a rising edge occurs on channel A. If channel B is low (0), the counter will increment whenever a rising edge occurs on channel A.

Disabled mode

PCL-833 will not accept input, but you can still access all its registers.

You select the mode by programming the card's registers: BASE+0 for CH1, BASE+1 for CH2 and BASE+2 for CH3. See Chapter 5 for more information.

Digital noise filter

Noise immunity is the most important requirement for reliable encoder interface operation. The PCL-833 conditions the input signals with a four stage digital filter. This filter reduces glitches (digital noise) or spikes by sampling the input at 2, 4 or 8 MHz. The filter output waveforms change only when an input has the same value for three consecutive sampling edges. The filter thus rejects noise or pulses shorter than two sampling clock periods. You can optimize noise immunity by selecting the lowest sampling frequency that compatible with the highest input rate you expect.

The PCL-833 accepts up to 1 MHz quadrature freq. at 8 MHz filter sampling speed. At 2 MHz sampling speed it can still accept up to 300 KHz quadrature input freq.

A 3600 rpm motor with 2000 ppr encoder will have a max. quadrature freq. of $3600 \times 2000 \div 60 = 120$ KHz. In the above example the 2 MHz sampling clock will have the best noise immunity and will meet the required input freq.

The following table shows the maximum noise pulse width that the filter will reject for each system clock frequency:

| Clock freq. | Maximum width |
|--------------------|----------------------|
| 8 MHz | 375 nsec. |
| 4 MHz | 750 nsec. |
| 2 MHz | 1.5 msec. |

Latch mode

When you read a counter, you are actually reading a value latched into a buffer. The PCL-833 provides five different latching modes, only one of which is active at any given time. Make sure that you know which latching mode is current whenever you read the counter. Otherwise, you may read an old value or one that was latched at a different time than you expect.

You select the latching mode for each channel individually. That is, you might select S/W latching on channel 1 and DIO latching for channels 2 and 3. Bits 0-2 of register BASE+3 control CH1, BASE+4 control CH2 and BASE+5 control CH3. See Chapter 5 for more information.

The PCL-833's latching modes are as follows:

S/W latch

Whenever you read a channel's data registers, the counter values will be latched in buffer. The S/W latch will only take effect when you read the high byte of the counter (C23-C16). Reading middle byte or low byte of a counter won't latch the counter values to the buffer. You should therefore read the high byte first, then the other two bytes of the counter.

Index latch

A rising edge on the channel's index input line will latch the channel's counter value.

DIO latch

A rising edge on the board's DI0 line will latch the counter value for the channel.

DI1 latch

A rising edge on the DI1 line will latch the counter value for the channel.

Timer latch

The card latches the counter value on a rising edge of pulses from the card's on-board timer.

Counter reset value

Bit 3 (RF) of registers BASE+0, 1 and 2 control the initial (reset) value of for each counter. You can select either 000000 or 800000 (hex). When the counter is reset, it will take this value.

When RF = 0, the counter will reset to 000000h.

When RF = 1, the counter will reset to 800000h.

Reset after latch

Bit 3 (LC) of registers BASE+3, 4 and 5 determine whether the corresponding counter will reset to its initial value (see preceding section) when it is latched.

If LC = 1, the counter will reset to its initial value when it is latched.

If LC = 0, the counter will stay the same (keep its previous value) when it is latched.

Cascade mode

24 bits is enough for most counter applications. If you need to store larger values, you can cascade the output of one counter into the input of a second, giving 48 bits of storage. When the first counter overflows, the card increments the second counter.

The PCL-833 lets you cascade channel 1 into channel 2 to form a single 48-bit counter. (Channel 3 will not cascade.)

The mode settings of channel 1 control this 48-bit counter, except that the setting of channel 2 controls the initial (reset) value.

You set up the 48-bit counter as follows:

1. Set bits CAS1 and CAS0 of write register BASE+8 to 01h.
2. Set CH2 to cascade mode. (Set Bits 0-2 of register BASE+1 to "1 1 1".)
3. Set the initial (reset) value in CH2.
4. Set remaining modes in CH1.

To read the total value, you must read both counters. Channel 1 holds the high 24-bits and channel 2 the low 24-bits.

Timer function

The PCL-833's on-board timer lets you monitor counter readings with extreme accuracy. The programmable timer generate pulses at regular intervals. The card can latch the readings in its counters and generate an interrupt to the PC.

You can set timer cycle periods from 1 msec. to 255 seconds. The cycle time is the product of the timer base period and a multiplier. Timer base periods are 1, 10, 100 or 1000 msec. The multiplier ranges from 1 to 255. The divider can range from 1 to 255.

For example, to set a timer period of 20 msec, you would set the timer base to 1 msec and the multiplier to 20. That is:

$$\begin{aligned} \text{Timer period} &= \text{Base period} \times \text{multiplier} \\ 20 \text{ msec} &= 1 \text{ msec} \times 20 \end{aligned}$$

Set the timer period by programming registers BASE+9 and BASE+10.

You can use the timer to latch the counter values and/or to generate an interrupt to the PC. To use the timer latching set registers BASE+3, 4 and 5. To generate an interrupt with the timer set bit 3 of BASE+9 and program the card's 8259A interrupt controller. See the following sections for more information.

Interrupt function

The PCL-833 can generate an interrupt to the PC for any of the following conditions:

1. Counter 1 overflow
2. Counter 2 overflow
3. Counter 3 overflow
4. Counter 1 index in
5. Counter 2 index in
6. Counter 3 index in
7. DI0 input
8. DI1 input
9. Timer pulse

The card's 8259A interrupt controller chip combines these interrupts into a single PC interrupt, set by jumper JP1. Since the 8259A only has eight input channels, the DI1 and timer interrupts share a single interrupt line. Bit 3 of write register BASE+9 selects DI1 or timer.

Note that you can use only one of the card's interrupt sources at a given time, unless you specially program your interrupt service routine to handle multiple interrupt sources.

You enable the PCL-833 interrupt functions by programming the card's 8259 chip, accessed through the registers at BASE+12 and BASE+13. You will need to set the chip's interrupt mask register to exclude all but one of the interrupt lines.

Program the 8259 in 8086/8088 mode, single mode, edge-triggered mode. In 8086/8088 mode two INTA signals are needed. The PCL-833 generates the first INTA automatically. Your program generates the second INTA by reading BASE+15. This read returns the interrupt vector number which caused the request.

The hold time must be at least 1 usec. after a low-to-high transition of the interrupt source to ensure that the interrupt occurs.

See Appendix A for more information.

Driver programs

The PCL-833 software driver has predefined routines to set up and control the card. You specify an array of values for the card's registers. The driver modifies the registers in the proper order and sends back the data in a second array.

To use the driver you call the driver function and specify two arguments. The first argument holds the name of the driver operation and the second argument holds any arguments that operation needs. For example, to reset counter channel 1 you would type:

```
pc1833(CounterReset, Reset_Ch1);
```

The driver function returns an integer value indicating the success or failure of the operation: 0 for success, non-zero for failure.

We supply the driver as C source code for Borland and Microsoft compilers. To use the driver you compile it along with your program (or compile it once and link its object file later). The file 833tc.c contains the driver code in Turbo C format, and the file 833mc.c contains the code in Microsoft C format. The driver arguments are constants defined in the header file 833drive.h, so you can change their names if you like.

Basic program structure

The PCL-833 utility disk includes three example programs written in Turbo C: 833demo1.c, 833demo2.c and 833demo3.c.

The following code shows the basic structure of a C application:

```
#include <stdio.h>
#include "833drive.h"
extern int    pc1833(int func, int option);

/* Output and input registers */
extern int    OutReg[16];
extern int    InReg[16];
extern int    Base;
:
```

```

void main()
{
/* Base address setting. This must match the setting
 * of switch SW1. */
Base= 0x0200;
:
}

```

If you call a read function, the driver will put the data in the array `InReg[]`. If you read the card's registers directly to get the counter value, instead of using the driver, you must **read the highest byte first** to ensure whole counter has been latched. For example, the following C code would read the bytes of counter channel 1:

```

:
InReg[2] = inportb(Base+2); // highest byte
InReg[1] = inportb(Base+1); // middle byte
InReg[0] = inportb(Base+0); // low byte
:

```

Driver functions

Write functions

Function 1: Initialize pci833

argument 1: Initialize833

argument 2: NA (not applicable)

Function 2: Set input mode

argument 1: Ch1_SetInputMode

Ch2_SetInputMode

Ch3_SetInputMode

argument 2: PclDisable

x1

x2

x4

TwoPulseIn

OnePulseIn

Function 3: Define reset value

argument 1: Ch1_DefineResetValue
Ch2_DefineResetValue
Ch3_DefineResetValue

argument 2: start
middle

Function 4: Set Latch Source

argument 1: Ch1_SetLatchSource
Ch2_SetLatchSource
Ch3_SetLatchSource

argument 2: SwReadLatch
IndexInLatch
DI0Latch
DI1Latch
TimerLatch

Function 5: Reset/no reset after counter is latched

argument 1: Ch1_IfResetOnLatch
Ch2_IfResetOnLatch
Ch3_IfResetOnLatch

argument 2: ResetNo
ResetYes

Function 6: Latch/no latch (rollover) on counter overflow

argument 1: LatchWhenOverflow

argument 2: FreeAll
Latch_Ch1
Latch_Ch2
Latch_Ch3

Function 7: Reset/do not reset counter

argument 1: CounterReset

argument 2: NoneReset

Reset_Ch1

Reset_Ch2

Reset_Ch3

Function 8: Choose system clock

argument 1: ChooseSysClock

argument 2: Sys8MHZ

Sys4MHZ

Sys2MHZ

Function 9: Set cascade mode

argument 1: SetCascadeMode

argument 2: c24bits

c48bits

Function 10: Set 16C54 time base

argument 1 Set16C54TimeBase

argument 2: tPoint1ms

t1ms

t10ms

t100ms

t1s

Function 11: Set interrupt source to DI1 or Timer

argument 1: SetDI1orTimerInt

argument 2: DI1Int

TimerInt

Function 12: Set 16C54 divider

argument 1: Set16C54Divider

argument 2: 0 - 255 (integer)

Read functions

Function 13: Read counter

argument 1: Ch_Read

argument 2: ch1
 ch2
 ch3

Function 14: Read Overflow

argument 1: Overflow_Read

argument 2: NA

Function 15: Read status

argument 1: Status_Read

argument 2: NA

Compiling and linking with C compilers

Borland C

Integrated Development Environment (IDE)

Create a project file for your program (*Project / Create project*), e. g. `833.prj`. Specify the location of your program files, demo files and driver files. For example:

```
833demo1.c
833tc.c
```

To compile the files make sure the proper project file is open, then select *Compile / Build all*.

Command line

Type the following to compile and link the files `833demo1.c` and `833tc.c` from the command line:

```
BC 833demo1.c 833tc.c
```

Microsoft C

The demo programs on the floppy disk are written in Turbo C (Borland C). You will need to modify them slightly to work with Microsoft C. The following example shows how to compile and link the demo programs with Microsoft C:

```
CL /c 833demo1.c
CL /c 833mc.c
LINK 833demo1.obj + 833mc.obj
```

The PCL-833 uses 16 consecutive addresses in the PC I/O address space. DIP switch SW1 sets the card's base, or beginning address. Specific I/O ports are referred to by their offset from the base address, BASE. For example, the address for the seventh register is BASE+6.

Register format (read)

The following table gives the assignment of each of the card's read ports.

I/O port assignments - Read

| Port | Assignment |
|-------------|-------------------------------|
| BASE+0 | CH1 low byte |
| BASE+1 | CH1 mid byte |
| BASE+2 | CH1 high byte |
| BASE+3 | CH1 overflow flag |
| BASE+4 | CH2 low byte |
| BASE+5 | CH2 mid byte |
| BASE+6 | CH2 high byte |
| BASE+7 | CH2 overflow flag |
| BASE+8 | CH3 low byte |
| BASE+9 | CH3 mid byte |
| BASE+10 | CH3 high byte |
| BASE+11 | CH3 overflow flag |
| BASE+12 | 8259 register, see Appendix A |
| BASE+13 | 8259 register, see Appendix A |
| BASE+14 | Digital input status |
| BASE+15 | 8259 register, see Appendix A |

| BASE + 0, 4, 8 | | CH1, CH2, CH3 low byte data | | | | | | |
|----------------|----|-----------------------------|----|----|----|----|----|----|
| Bit | D7 | D6 | D5 | D4 | D3 | D2 | D1 | D0 |
| Value | C7 | C6 | C5 | C4 | C3 | C2 | C1 | C0 |

| BASE + 1, 5, 9 | | CH1, CH2, CH3 mid byte data | | | | | | |
|----------------|-----|-----------------------------|-----|-----|-----|-----|----|----|
| Bit | D15 | D14 | D13 | D12 | D11 | D10 | D9 | D8 |
| Value | C15 | C14 | C13 | C12 | C11 | C10 | C9 | C8 |

| BASE + 2, 6, 10 | | CH1, CH2, CH3 high byte data | | | | | | |
|-----------------|-----|------------------------------|-----|-----|-----|-----|-----|-----|
| Bit | D7 | D6 | D5 | D4 | D3 | D2 | D1 | D0 |
| Value | C23 | C22 | C21 | C20 | C19 | C18 | C17 | C16 |

| BASE + 3, 7, 11 | | CH1, CH2, CH3 Overflow | | | | | | |
|-----------------|-----|------------------------|-----|-----|-----|-----|----|----|
| Bit | D15 | D14 | D13 | D12 | D11 | D10 | D9 | D8 |
| Value | OV | NA | NA | NA | NA | NA | NA | NA |

| | |
|-----------|-------------------------------|
| OV | Overflow flag |
| 1 | Counter overflow has occurred |
| 0 | No overflow |

BASE + 12 8259 register

See Appendix A

BASE + 13 8259 register

See Appendix A

BASE + 14 Status

| Bit | D7 | D6 | D5 | D4 | D3 | D2 | D1 | D0 |
|-------|----|----|----|-----|-----|---------|---------|---------|
| Value | NA | NA | NA | DI1 | DI0 | CH3 ZIN | CH2 ZIN | CH1 ZIN |

D2 ~ D0 CH3 ~ CH1 Index status.

D3 Digital Input Channel 0 status.

D4 Digital Input Channel 1 status.

BASE + 15 8259 INTA register

See Appendix A

Register format (write)

The following table gives the assignment of each of the card's write ports:

I/O port assignments - Write

| Port | Assignment |
|---------|---|
| BASE+0 | CH1 mode setting |
| BASE+1 | CH2 mode setting |
| BASE+2 | CH3 mode setting |
| BASE+3 | CH1 counter latch source/counter latch on reset |
| BASE+4 | CH2 counter latch source/counter latch on reset |
| BASE+5 | CH3 counter latch source/counter latch on reset |
| BASE+6 | Counter overflow lock control |
| BASE+7 | Counter reset |
| BASE+8 | System clock source / cascade mode control |
| BASE+9 | 16C54 time base and interrupt control |
| BASE+10 | 16C54 divider control |
| BASE+11 | N/A |
| BASE+12 | 8259, see Appendix A |
| BASE+13 | 8259, see Appendix A |

| BASE + 0 CH1 mode setting | | | | | | | | |
|---------------------------|----|----|----|----|----|----|----|----|
| Bit | D7 | D6 | D5 | D4 | D3 | D2 | D1 | D0 |
| Value | NA | NA | NA | NA | RF | M2 | M1 | M0 |

| BASE + 1 CH2 mode setting | | | | | | | | |
|---------------------------|----|----|----|----|----|----|----|----|
| Bit | D7 | D6 | D5 | D4 | D3 | D2 | D1 | D0 |
| Value | NA | NA | NA | NA | RF | M2 | M1 | M0 |

| BASE + 2 CH3 mode setting | | | | | | | | |
|---------------------------|----|----|----|----|----|----|----|----|
| Bit | D7 | D6 | D5 | D4 | D3 | D2 | D1 | D0 |
| Value | NA | NA | NA | NA | RF | M2 | M1 | M0 |

M2 ~ M1 Input mode control

- 0 0 0 Disable
- 0 0 1 Quadrature input X1
- 0 1 0 Quadrature input X2
- 0 1 1 Quadrature input X4
- 1 0 0 2 pulse input
- 1 0 1 1 pulse input
- 1 1 0 N/A
- 1 1 1 Cascade

RF Reset value

- 1 The counter value will be set to 800000 when you reset the counter
- 0 The counter value will be set to 000000 when you reset the counter

| BASE + 3 CH1 counter latch source/counter latch on reset | | | | | | | | |
|--|----|----|----|----|----|----|----|----|
| Bit | D7 | D6 | D5 | D4 | D3 | D2 | D1 | D0 |
| Value | NA | NA | NA | NA | LC | S2 | S1 | S0 |

| BASE + 4 CH2 counter latch source/counter latch on reset | | | | | | | | |
|--|----|----|----|----|----|----|----|----|
| Bit | D7 | D6 | D5 | D4 | D3 | D2 | D1 | D0 |
| Value | NA | NA | NA | NA | LC | S2 | S1 | S0 |

| BASE + 5 CH3 counter latch source/counter latch on reset | | | | | | | | |
|--|----|----|----|----|----|----|----|----|
| Bit | D7 | D6 | D5 | D4 | D3 | D2 | D1 | D0 |
| Value | NA | NA | NA | NA | LC | S2 | S1 | S0 |

S2, S1, S0 The source of the signal to latch the counter data

0 0 0 S/W read latch data

0 0 1 Index-in latch data

0 1 0 DI0 latch data

0 1 1 DI1 latch data

1 0 0 Timer latch data

LC Reset/do not reset counter value after it is latched

0 Do not reset counter after it is latched

1 Reset counter after it is latched

| BASE + 6 Counter overflow lock control | | | | | | | | |
|--|----|----|----|----|----|-----|-----|-----|
| Bit | D7 | D6 | D5 | D4 | D3 | D2 | D1 | D0 |
| Value | NA | NA | NA | NA | NA | OL3 | OL2 | OL1 |

OL3 ~ OL1 Counter overflow lock control
 (OL3 = CH3, OL2 = CH2, OL1 = CH1)

0 Counter value locked when counter overflows

1 Counter continues counting (wraps over) when counter overflows

| BASE + 7 Counter reset | | | | | | | | |
|------------------------|----|----|----|----|----|-----|-----|-----|
| Bit | D7 | D6 | D5 | D4 | D3 | D2 | D1 | D0 |
| Value | NA | NA | NA | NA | NA | CH3 | CH2 | CH1 |

CH3 ~ CH1 Reset counter

- 1 Reset corresponding counter
- 0 Counter not reset

| BASE + 8 System clock source / cascade mode control | | | | | | | | |
|---|----|----|----|----|------|------|------|------|
| Bit | D7 | D6 | D5 | D4 | D3 | D2 | D1 | D0 |
| Value | NA | NA | NA | NA | CAS1 | CAS0 | SYS1 | SYS0 |

SYS1, SYS0 System clock source

- 0 0 8 MHz system clock
- 0 1 4 MHz system clock
- 1 0 2 MHz system clock
- 1 1 N/A

CAS1, CAS0 Cascade mode

- 0 0 24 bit (no cascade)
- 0 1 48 bit (CH1, CH2 cascade)
- 1 0 N/A
- 1 1 N/A

BASE + 9 16C54 time base and interrupt control

| Bit | D7 | D6 | D5 | D4 | D3 | D2 | D1 | D0 |
|-------|----|----|----|----|----------|---------|---------|---------|
| Value | NA | NA | NA | NA | DI/TIMER | T-BASE2 | T-BASE1 | T-BASE0 |

T-BASE 2, 1, 0 16C54 time base control

| | |
|-------|-----------------------|
| 0 0 0 | 0.1 msecond time base |
| 0 0 1 | 1 msecond time base |
| 0 1 0 | 10 msecond time base |
| 0 1 1 | 100 msecond time base |
| 1 0 0 | 1 second time base |

DI/TIMER Interrupt by DI1 or timer control

| | |
|---|--------------------|
| 0 | Interrupt by DI1 |
| 1 | Interrupt by timer |

BASE + 10 16C54 divider control

| Bit | D7 | D6 | D5 | D4 | D3 | D2 | D1 | D0 |
|-------|------|------|------|------|------|------|------|------|
| Value | DIV7 | DIV6 | DIV5 | DIV4 | DIV3 | DIV2 | DIV1 | DIV0 |

BASE + 12 8259

See Appendix A

BASE + 13 8259

See Appendix A
