

# MIC-3951

## Single slot 6U CompactPCI™

### 64-bit Dual PMC Carrier Board Startup Manual

#### Packing List

Before you begin installing your card, please make sure that the following materials have been shipped:

- One MIC-3951 CompactPCI™ Media Carrier Board
- One Warranty Certificate
- One Startup Manual
- One CD disc and manual (in PDF format)

If any of these items are missing or damaged, contact your distributor or sales representative immediately.

#### Specifications

- **Bus Interface:** 32-bit/33, 64-bit/66 MHz Compliant/Ce CompactPCI™ Specification PICMG 2.0 R3.0  
CompactPCI™ PMC I/O Mapping Specification PICMG 2.3 R1.0  
IEEE P1386.1 PMC Specification R2.3
- **PCI Bridge:** Intel® 21154 PCI-to-PCI Interface Bridge Chip
- **Operating Temp:** 0 ~60 °C (32 ~140 °F)
- **Storage Temp:** -20 ~80 °C (-4 ~176 °F)
- **Humidity:** 0~95% (non-condensing)
- **Power Consumption:** 1w @33 Mhz (without PMC module)
- **Board Size:** 233.35 x 160 mm (6U size), 1-slot (4 TE) wide.

#### Initial Inspection

We have carefully inspected the MIC-3951 before shipping. It should be free of marks and scratches and in perfect working condition upon receipt. As you unpack the MIC-3951, check for signs of shipping damages (damaged box, scratches, dents, etc.) If it is damaged or fails to meet specifications, notify our service department or your local representatives immediately. Also notify the carrier. Retain the shipping box and packing material for inspection by the carrier. After inspection, we will make arrangements to repair or replace the unit.

#### System Requirements

The MIC-3951 is compatible with standard PMC modules and other applications. Meanwhile, a required master CPU board for the MIC-3951 would be a bus via J1 and J2 on backplane.

#### Connector and Switch Location

The MIC-3951 provides switch for users' specific applications.

Table 1: MIC-3951 connector and jumper descriptions

Label	Function
J11/J12/J13/J14	PMC #1 Connectors
J21/J22/J23/J24	PMC #2 Connectors
SW1	33/66MHz and VIO selection

Table 2: SW1 Setting Up

PCI Bus	P_V IO	S_V IO	1	2,3	4,5	7	8
66 MHz	+5V	+5V	ON	ON	ON	OFF	OFF
66 MHz	+3.3V	+3.3V	ON	OFF	OFF	ON	ON
33 MHz	+5V	+5V	OFF	ON	ON	OFF	OFF
33 MHz	+3.3V	+3.3V	OFF	OFF	OFF	ON	ON
66 MHz	+5V	+3.3V	ON	ON	OFF	ON	OFF

For more information on the MIC-3951 and other Advantech products, please visit our website at:

<http://www.advantech.com>

For technical support and service, please visit our support website at:

<http://www.advantech.com.tw/support>

This manual is for the MIC-3951 Rev. A1.

Part No. 2002395100

1st. Edition

Printed in Taiwan

October 2002

Table 2: SW1 Setting Up

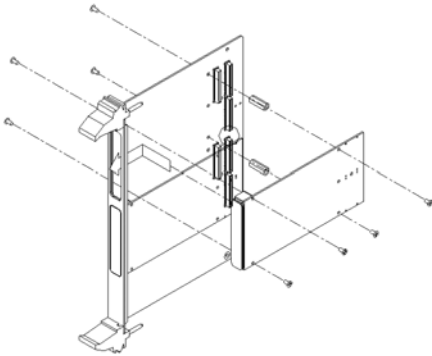
PCI Bus	P_V IO	S_V IO	1	2,3	4,5	7	8
66 MHz	+3.3V	+5V	ON	OFF	ON	OFF	ON
33 MHz	+5V	+3.3V	OFF	ON	OFF	ON	OFF
33 MHz	+3.3V	+5V	OFF	OFF	ON	OFF	ON

P\_VIO: Primary VIO (for system VIO)

S\_VIO: Secondary VIO (for PMC module)

## Installing Peripherals

The MIC-3951 adopts two PMC modules, which also support with 32bit/33MHz or 64bit/66MHz PCI bus specification. There are already the PMC connectors reserved on the MIC-3951, also the standard PMC I/O panel. If customer would like to have customization front panel or rear I/O board, please contact you local sales or distributor for details.



## Ordering Information

- **MIC-3951-A:** Single-slot 6U CompactPCI? 64-bit Dual PMC Carrier Board

## Dimension

