

## Cabinet accessories – Socket strips

### UTE socket strip



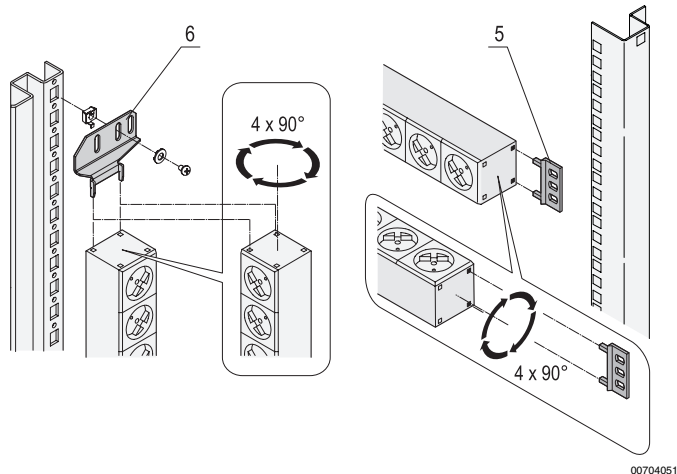
00705002 DTA44116

- Socket strip with SCHUKO socket inserts, either with switch or functional elements
- Mounting height 1 U
- Connecting cable, 2 m with SCHUKO/UTE connector
- For installation, socket strips can be rotated in all directions (in 90° increments)
- Horizontal and vertical assembly possible
- 230 V, 16 A
- In accordance with NFC 61-303



#### Delivery comprises (assembled)

Item	Qty	Description
1	1	Al extrusion, 1 U, anodised, for socket inserts and functional elements
2		UTE socket inserts (35° rotated, PA, RAL 7035), illuminated switch and functional elements, type and number, see Order information
3	2	End piece, PA, RAL 7035
4	1	Connecting cable, black, 2 m, 05VV-F 3G 1.5 mm <sup>2</sup> , with SCHUKO/UTE connector, PVC, encapsulated
5	2	Mounting bracket, PA, RAL 7035 (only with 10", 19" version)



00704051

### Order Information

Description	Socket inserts	Length Inch	Length mm	Depth mm	Switch	Functional element	Order no.
Socket strip 10", 4 UTE socket inserts	4	10"	210	44	–	–	<b>60110-220</b>
	9	19"	438.5	44	–	–	<b>60110-221</b>
	12	–	947.5	44	–	–	<b>60110-222</b>
	15	–	1202	44	–	–	<b>60110-223</b>
	19	–	1753	44	–	–	<b>60110-224</b>
UTE with switch	8	19"	438.5	44	X	–	<b>60110-225</b>
	12	–	947.5	44	X	–	<b>60110-226</b>
UTE with functional element	6	19"	438.5	88	–	Fault current protection	<b>60110-230</b>
	6	19"	438.5	75	–	Overcurrent protection	<b>60110-228</b>
	6	19"	43.5	88	–	Fault current protection, overcurrent protection	<b>60110-231</b>
	7	19"	43.5	44	–	Mains/line suppression filter	<b>60110-229</b>
	8	19"	438.5	44	–	Transient protection	<b>60110-227</b>
6	19"	438.5	44	–	Transient protection, mains/line suppression filter	<b>60110-267</b>	
<b>Item 6</b> Mounting bracket for vertical assembly of socket strips, St, 2 mm, PU 2 pieces							<b>20110-068</b>

#### Note

- Please order mounting bracket for vertical assembly separately
- Individual configuration on the Internet ([www.schroff.biz/conf](http://www.schroff.biz/conf))

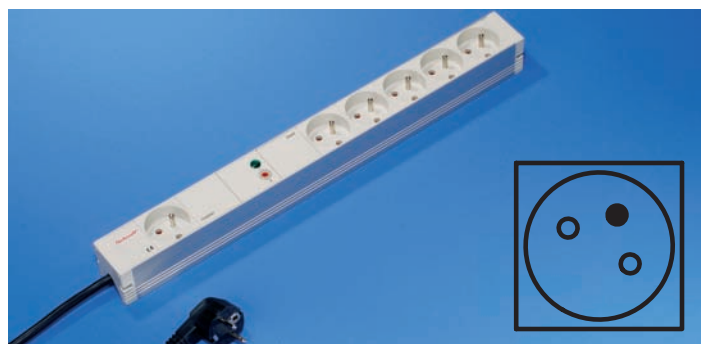


**For further information [www.schroff.biz/oneclick](http://www.schroff.biz/oneclick)**  
oneClick code = Order no.



## Cabinet accessories – Socket strips

### UTE socket strip, Master-Slave



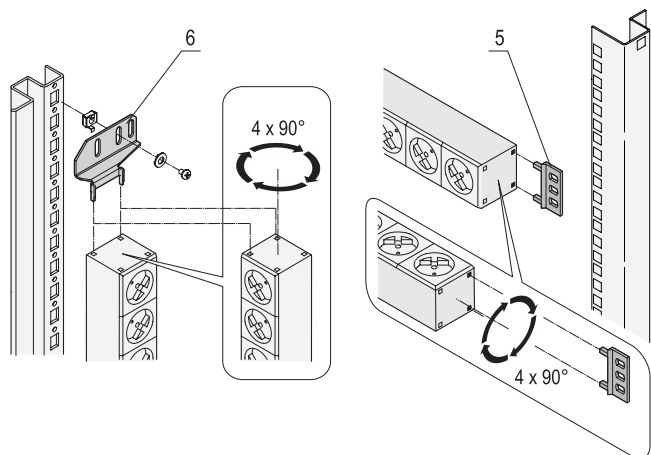
00704006 DTA44116

- During the "switch-on" of the master unit the slave outputs are connected in sequential order to the mains supply (delay is adjustable)
- Mounting height 1 U
- Connecting cable, 2 m, with SCHUKO/UTE connector
- For installation, socket strips can be rotated in all directions (in 90° increments)
- Horizontal and vertical assembly possible
- 230 V, 16 A
- In accordance with NFC 61-303



#### Delivery comprises (assembled)

Item	Qty	Description
1	1	Al extrusion, 1 U, anodised, for socket inserts
2	6	UTE socket inserts (35° rotated, PA, RAL 7035)
3	2	End piece, PA, RAL 7035
4	1	Connecting cable, black, 2 m, 05VV-F 3G 1.5 mm <sup>2</sup> , with SCHUKO/UTE connector, PVC, encapsulated
5	2	Mounting bracket, PA, RAL 7035



00704051

#### Order Information

Socket inserts	Length Inch	Length mm	Depth mm	Order no.
6	19"	438.5	44	<b>60110-232</b>
<b>Item 6</b> Mounting bracket for vertical assembly of socket strips, St, 2 mm, PU 2 pieces				<b>20110-068</b>

#### Note

- Please order mounting bracket for vertical assembly separately
- Individual configuration on the Internet ([www.schroff.biz/conf](http://www.schroff.biz/conf))



**For further information [www.schroff.biz/oneclick](http://www.schroff.biz/oneclick)**  
oneClick code = Order no.

## Cabinet accessories – Socket strips

### UTE socket strip, 3 circuits



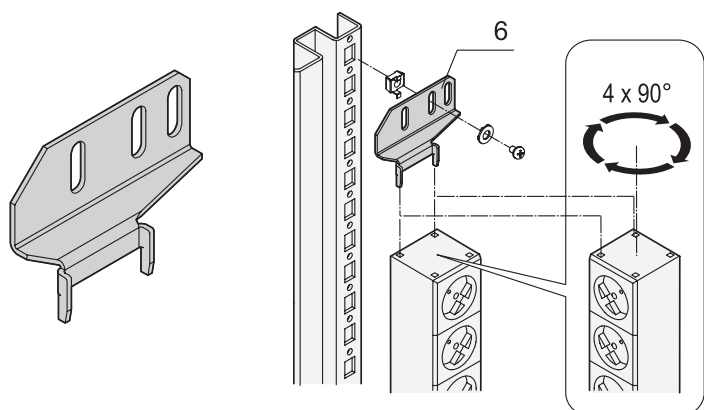
00704010 DTA44116

- 3 phases with 230 V, 16 A per phase
- Mounting height 1 U
- Connecting cable, 2 m, open end with ferrule
- For installation, socket strips can be rotated in all directions (in 90° increments)
- Vertical assembly
- In accordance with NFC 61-303



#### Delivery comprises (assembled)

Item	Qty	Description
1	1	Al extrusion, 1 U, anodised, for socket inserts
2	9	UTE socket inserts (35° turned, PA, RAL 7035), 3 phases x 3 inserts, different colours
3	2	End piece, PA, RAL 7035
4	1	Connecting cable, black, 2 m, 05VV-F 5G 2.5 mm <sup>2</sup> , open end with ferrule



00502502

#### Order Information

Socket inserts	Height U	Length mm	Depth mm	Order no.
9	1	608.5	44	<b>60110-233</b>
<b>Item 6</b> Mounting bracket for vertical assembly of socket strips, St, 2 mm, PU 2 pieces				<b>20110-068</b>

#### Note

- Please order mounting bracket for vertical assembly separately
- Individual configuration on the Internet ([www.schroff.biz/conf](http://www.schroff.biz/conf))



For further information [www.schroff.biz/oneclick](http://www.schroff.biz/oneclick)  
oneClick code = Order no.

## Cabinet accessories – Socket strips

### UTE socket strip, Wieland



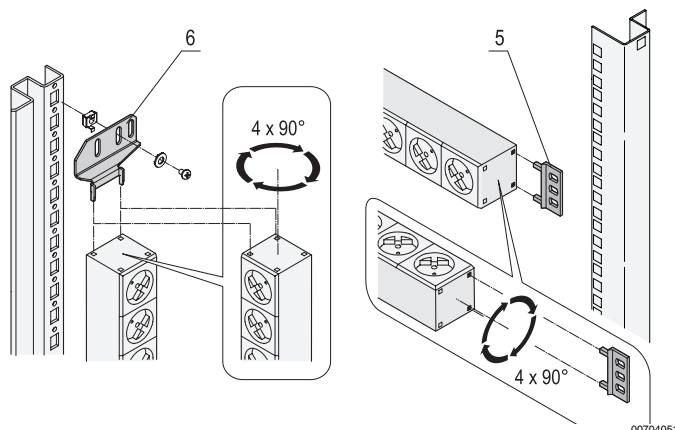
00505023 DTA44116

- Disconnection of socket strip and equipment cable, thereby different mains supply possibilities and use of different cable lengths
- Socket extension by cascading
- Mounting height 1 U
- For installation, socket strips can be rotated in all directions (in 90° increments)
- Horizontal and vertical assembly possible
- 230 V, 16 A
- In accordance with NFC 61-303



#### Delivery comprises (assembled)

Item	Qty	Description
1	1	Al extrusion, 1 U, anodised, for socket inserts and functional elements
2		SCHUKO socket inserts (35° rotated, PA, RAL 7035), illuminated switch and functional elements, type and number, see Order information
3	2	End piece, PA, RAL 7035
4	2	Connection with Wieland, 1 x 3-pin female connector, 1 x 3-pin connector, on rear side
5	2	Mounting bracket, PA, RAL 7035



00704051



00704009

#### Order Information

Description	Socket inserts	Length Inch	Length mm	Depth mm	Switch	Functional element	Order no.
UTE	7	19"	438.5	44	–	–	<b>60110-252</b>
UTE, Wieland, with switch	6	19"	438.5	44	X	–	<b>60110-253</b>
UTE, Wieland with functional element	4	19"	438.5	44	–	Transient protection	<b>60110-254</b>
<b>Item 6</b> Mounting bracket for vertical assembly of socket strips, St, 2 mm, PU 2 pieces							<b>20110-068</b>
<b>Equipment cable, SCHUKO/UTE connector - Wieland female connector</b> 2 m, 1 piece							<b>60118-320</b>
<b>Equipment cable, SCHUKO/UTE connector - Wieland female connector</b> 5 m, 1 piece							<b>60118-369</b>
<b>Equipment cable, BS connector - Wieland female connector</b> 2 m, 1 piece							<b>60118-447</b>
<b>Cascading cable Wieland connector - Wieland female connector</b> 2 m, 1 piece							<b>60118-277</b>
<b>Equipment cable IEC 320 connector - Wieland female connector, 2 m, 1 piece</b>							<b>60118-333</b>
<b>Wieland connector with screw connection, 1 piece</b>							<b>60118-280</b>
<b>Wieland female connector with screw connection, 1 piece</b>							<b>60118-284</b>

#### Note

- Please order mounting bracket for vertical assembly separately
- Individual configuration on the Internet ([www.schroff.biz/conf](http://www.schroff.biz/conf))

