

Content

19" chassis - *inpac*

Cabinets 1

Wall mounted cases 2

Accessories for cabinets and wall mounted cases . 3

Climate control . 4

Electronics cases 5

Subracks/ 19" chassis 6

Front panels, plug-in units . . . 7

Systems 8

Power supply units 9

Backplanes . . . 10

Connectors, front panel component system 11

Appendix 12

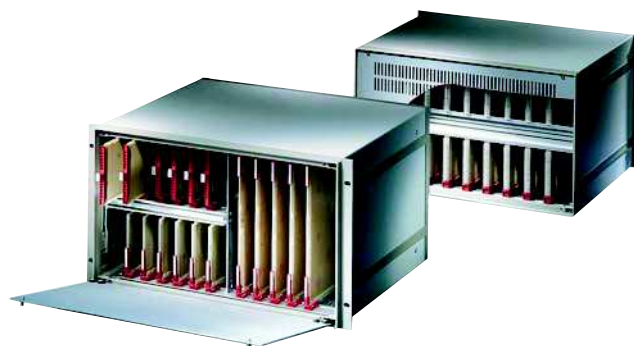


02192001



Robust 19" chassis, also for board assembly

02192005



Assembly with boards and hinged front panel

02196001

Standards

- External dimensions in accordance with:
IEC 60297-3-101
- Ingress protection IP 20 to IEC 60529
- GND/earthing connectors to:
DIN EN 50178/VDE 0160
DIN EN 60950/VDE 0805
DIN EN 61010-1/VDE 0411 part 1
DIN EN 61010-1A2/VDE 0411 part 1/A1

19" chassis - *inpac*

Overview 6.128

19" chassis with high mechanical stability

- Also usable as desk-top case
- Robust cases from aluminium die-cast frames to front and rear
- Flexible assembly for standardised board formats or individually, e.g. for mounting plates
- Cost benefit with mounting service and custom processing in ServicePLUS



02192002

19" chassis/desk-top enclosure

- 2 U, 3 U, 4 U and 6 U heights



02192003

inpac built into 19" cabinet



30407004

ServicePLUS from page 6.118

- e.g. individual configuration and assembly from 1 piece
- e.g. printing
- e.g. cut-outs in front or rear panels or cover plates
- e.g. modification (special colours)
- e.g. custom solutions (special depths, electromagnetically shielded applications)

www.schroff.biz/ServicePLUS

inpac

19" chassis 6.130

Accessories

Full-width front panels 6.131

Full-width rear panels 6.131

Support rails 6.132

Horizontal rails... 6.132

Front handles 6.133

GND/earthing kit 6.133

Guide rails 6.134

Dimensions 6.136

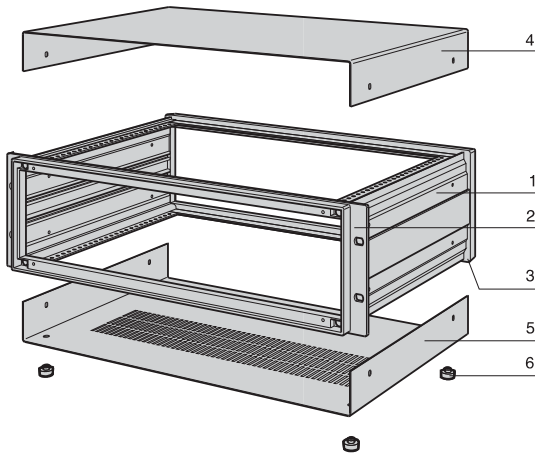
ServicePLUS... 6.118

19" chassis - *inpac*

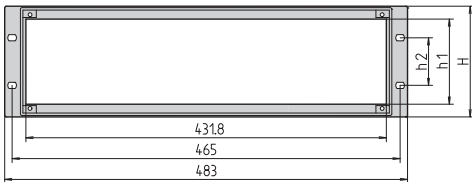
19" chassis



02192006

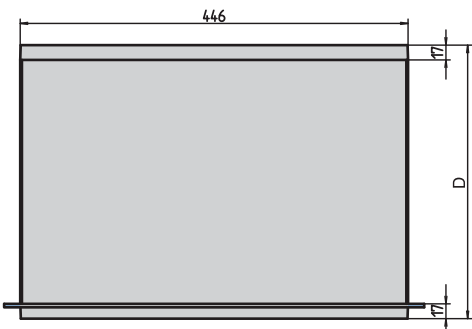


ipa30632



IPA30635

h1 = useable height



IPA30704



IPA30706

- For assembly with 19" components or individually with mounting plates
- Three rows ventilation slots in base for air inlet

Delivery comprises (Kit)

Item	Qty	Description
1	2	Side panel, Al extrusion, RAL 7030, at 6 U: 2 Al corner profiles, 1 divider plate (steel plate)
2	1	Front frame, Al die-cast, RAL 7030, rear side with counterbores for drill holes to mount handles and front panels
3	1	Rear frame, Al die-cast, RAL 7030
4	1	Cover plate, St, 1 mm, RAL 7035, plastic-coated, with GND/earthing connection
5	1	Base plate, St, 1 mm, RAL 7035, plastic-coated, with GND/earthing connection
6	4	Case foot with anti-slip protection, PC, UL 94 V-0
7	1	Assembly kit

Order Information

Height H	Height H h	h1	h2	Depth D	Part no.
U	mm	mm	mm	mm	
2	88.0	86.0	57.5	254.5	10828-071
2	88.0	86.0	57.5	314.5	10828-072
2	88.0	86.0	57.5	374.5	10828-073
3	132.5	130.5	102.0	254.5	10828-051
3	132.5	130.5	102.0	314.5	10828-052
3	132.5	130.5	102.0	374.5	10828-053
3	132.5	130.5	102.0	434.5	10828-054
4	177.0	174.5	146.5	254.5	10828-056
4	177.0	174.5	146.5	314.5	10828-057
4	177.0	174.5	146.5	374.5	10828-058
4	177.0	174.5	146.5	434.5	10828-059
6	265.9	263.5	235.4	374.5	10828-068
6	265.9	263.5	235.4	434.5	10828-069

Note

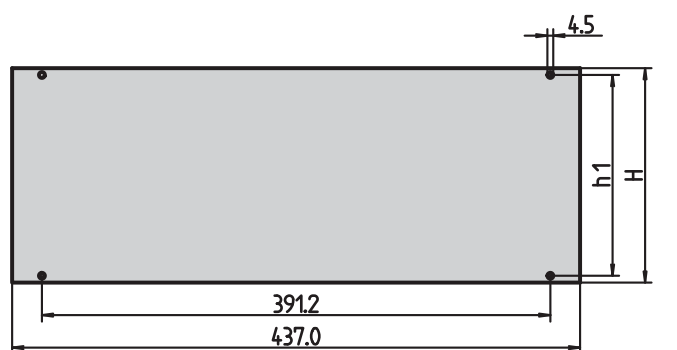
- Max. installation space when fitting 19" components is 75 HP
- Scope of delivery includes screws to fix rear and front panels



ServicePLUS see page 6.118

19" chassis - *inpac*

Front panel



IPA42082

Delivery comprises

Item	Qty	Description
1	1	Front panel, Al, 2.5 mm, anodised, cut edges untreated

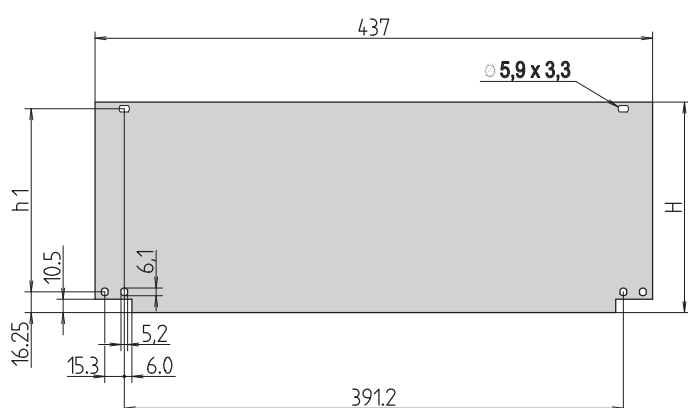
Order Information

Height U	Height H mm	h1 mm	Part no.
2	76.0	65.6	30828-055
3	120.5	110.0	30828-058
4	165.0	154.5	30828-061
6	253.8	243.4	30828-067

Note

- The assembly kit for the front panel is included with the 19" chassis

Front panel, bottom-hinged



ipa42083

Delivery comprises

Item	Qty	Description
1	1	Front panel, hinged, Al, 2.5 mm, anodised, cut edges untreated

Order Information

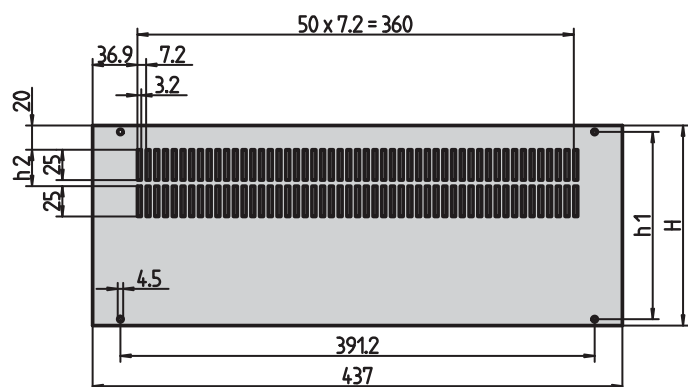
Height U	Height H mm	h1 mm	Part no.
2	76.0	54.5	30828-085
3	120.5	99.0	30828-088
4	165.0	143.5	30828-091
6	253.8	232.3	30828-097

Hinge for front panel PPE, UL 94 V-0, PU 1 kit (includes fixing material kit and 2 collar screws) **20828-028**

Note

- Please order hinge for front panel separately

Rear panel with ventilation openings



IPA42086

Delivery comprises (kit)

Item	Qty	Description
1	1	Rear panel, incl. assembly kit, Al, 2.5 mm, anodised, cut edges untreated

Order Information

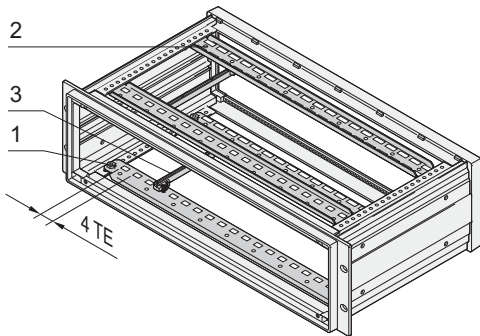
Height U	Height H mm	h1 mm	h2 mm	Part no.
2	76.0	65.6	-	30828-070
3	120.5	110.0	-	30828-073
4	165.0	154.5	-	30828-076
6	253.8	243.4	30	30828-082

Note

- The scope of delivery of the 19" chassis includes an assembly kit for the front panel

19" chassis - *inpac*

Support rail for guide rails



- 4 support rails to fix PCBs with guide rails
- Support rail can also be used to fix a custom mounting plate

Order Information

Item	Description	Part no.
1	front support rail, St, 1.5 mm, blue-passivated, 1 piece	30828-165
2	rear support rail, St, 1.5 mm, blue-passivated, 1 piece	30828-174

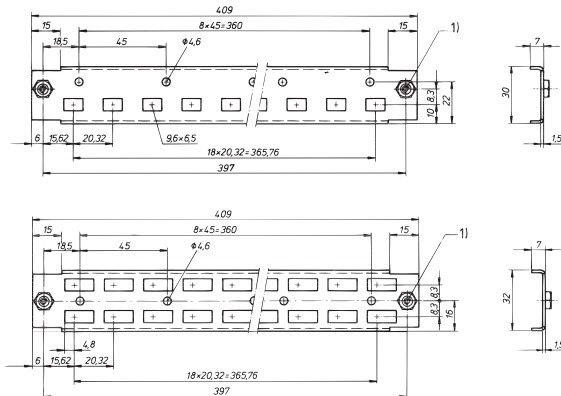
Accessories

Guide rail 160 mm (Item 3), PBT, UL 94 V-0, with integrated fixture for connector to EN 60603 (DIN 41612), PU 1 pair **60817-078**

Guide rail 220 mm (Item 3), PBT, UL 94 V-0, with integrated fixture for connector to EN 60603 (DIN 41612), PU 1 pair **60817-079**

Screw for mounting of support rails, M4 × 8, flathead bolts with posidrive, PU 100 pieces **21100-677**

- Guide rails see page 6.134



IPA30639

a3-308xx

Dimension drawing top: Front support rail,
dimension drawing bottom: rear support rail;
1) bush M4, pressed-in

Horizontal rail for guide rails, backplane and connector mounting

- 4 horizontal rails to fix guide rails (for PCBs) and for backplane or connector mounting
- Useable width 75 HP

Order Information

Item	Description	Qty/PU	Part no.
1	Horizontal rail 75 HP, Al extrusion, anodised	1	30828-128

Accessories

Z-rail (item 2), Al extrusion, anodised, 1 piece **30814-513**

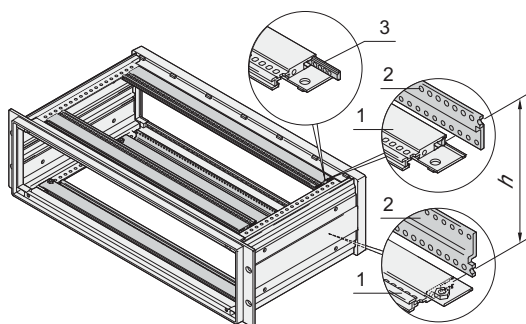
Threaded insert (item 3), St, zinc-plated (blue), 1 piece **30819-604**

Screw to fix horizontal rails, M4 × 8, Pozidrive flathead screw, 100 pieces **21100-677**

Cheesehead screw with slot M2.5 × 6, DIN 84, PU 100 pieces M2.5 × 6, DIN 84, 100 pieces **21100-146**

Note

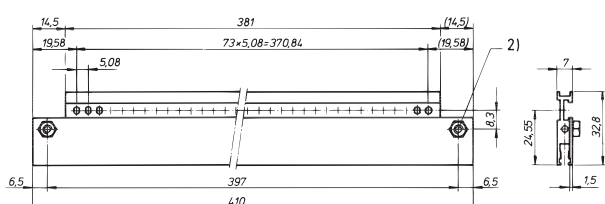
- Threaded inserts cannot be used at front
- For backplane mounting, threaded inserts are required in the rear horizontal rails
- For connector mounting, threaded inserts and Z-rails are required in the rear horizontal rails
- Guide rails see page 6.134



Item 1: horizontal rail, item 2: Z-rail, item 3: threaded insert

IPA30640

h	Bolt-on dimension of backplane
2	75.40
3	119.80
4	164.30
6	252.90

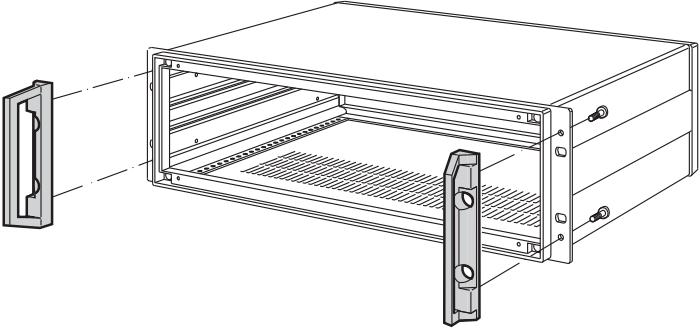


A4-587

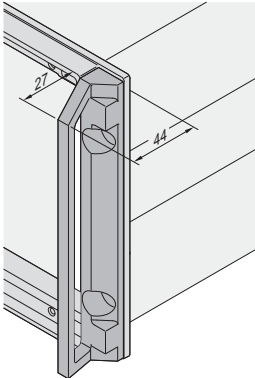
2) bush M4, pressed-in

19" chassis - *inpac*

Front handles



IPA30636



02108050

- Load-carrying capacity 35 kg per pair

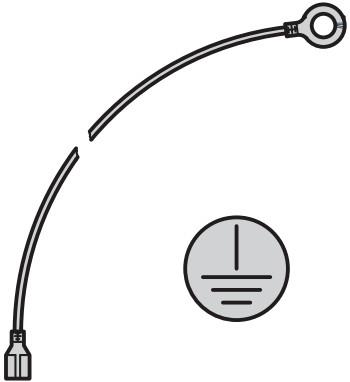
Delivery comprises (kit)

Item	Qty	Description
1	2	Front handle, Al die-cast, powder-coated, RAL 7030, incl. assembly kit

Order Information

Height	Part no.
U	
3	20828-127
4	20828-128
6	20828-129

GND/earthing kit



aza43284

- The GND/earthing kit allows VDE-compliant earthing of the case to:
 - DIN EN 50178/VDE 0160
 - DIN EN 60950/VDE 0805
 - DIN EN 61010-1/VDE 0411 Part 1
 - DIN EN 61010-1A2/VDE 0411 Part 1/A
- VDE inspection has been carried out

Order Information

Description	Qty/PU	Part no.
GND/earthing kit, Cu wire, 1.5 mm ² , PVC sleeve, green/yellow, links side panels, top cover, base plate and rear panel	1	21100-814

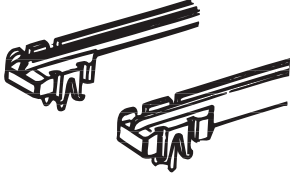
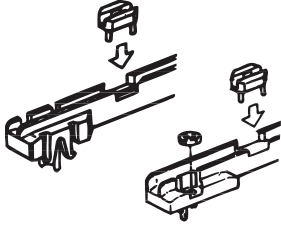

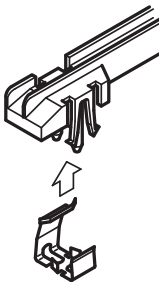
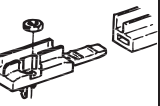
19" chassis - *inpac*

Guide rails



04292012

Order Information

Board lengths mm mm	Groove width mm mm	 <small>a4-2744X</small> Light version, snap-in		 <small>A42744b</small> Version with board fixing, snap-in		 <small>a42744c</small> Version for heavy load-carrying capacity, snap-in		 <small>bzm64267</small> Version with ESD clip		 <small>a4-2744d</small> Universal version with Al middle section, bolt-on	
		Part no.	Part no.	Part no.	Part no.	Part no.	Part no.	Part no.	Part no.		
100	2	–	60817-015	–	–	–	–	–	–	–	–
160	2	60817-064	60817-103	60817-001	60817-053	60817-102	20817-368	–	–	–	–
160	2.5	–	60817-076	–	–	–	–	–	–	–	–
180	2	–	–	60817-026	–	–	–	–	–	–	–
220	2	–	60817-149	60817-016	60817-083	60817-085	20817-369	–	–	–	–
220	2.5	–	–	–	–	60817-098	–	–	–	–	–
280	2	–	–	–	–	60817-080	–	–	–	–	–
340	2	–	–	–	–	–	–	–	–	–	20825-120
400	2	–	–	–	–	–	–	–	–	–	20825-121

1) SPQ (standard pack quantity): Part number includes 1 piece, but delivery is exclusively made in standard pack quantity (SPQ); please order at least the SPQ quantity or a multiple

Accessories

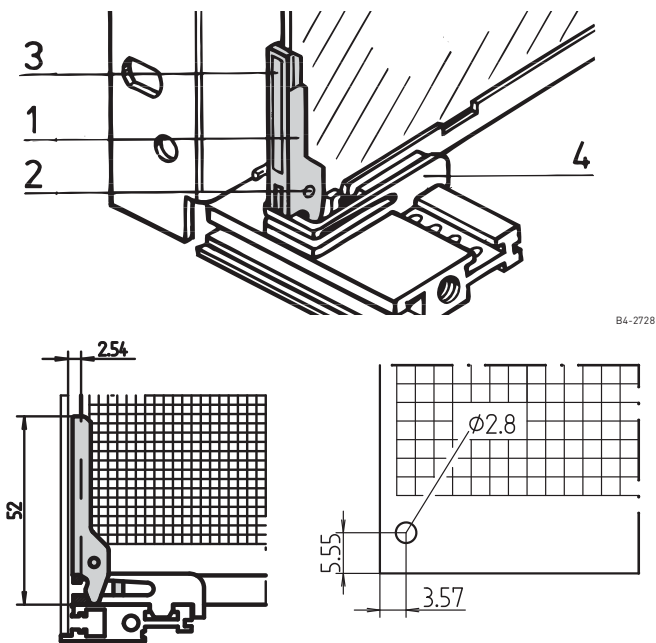
Spring clip PPE, UL 94 V-0, red, PU 10 pieces	21100-553	21100-553	–	–	–
Spring clip PPE, UL 94 V-0, red, PU 100 pieces	21100-554	21100-554	–	–	–
Assembly parts for 50 guide rails PU (100 screws, 100 nuts)	–	21101-990	–	–	21101-990

Note

- For a detailed description of the guide rails see our website; please enter part number in "oneclick" search

19" chassis - *inpac*

PCB handle A



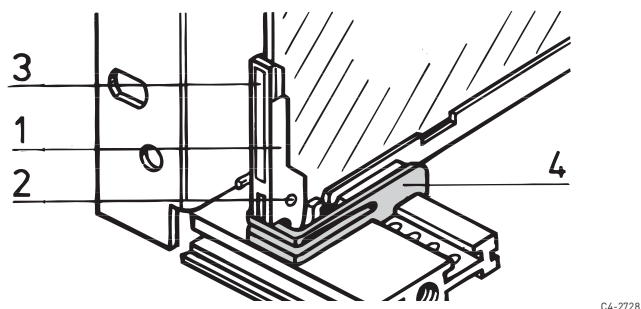
- To be mounted behind front panel, for PCB thickness 1.6 mm
- Insertion and extraction function
- Can be labelled

Order Information

Item	Description	Material	Colour	Qty/PU	Part no.
1	PCB handle A	PBT, UL 94 V-0	red	1 piece (SPQ 10)	60817-096
2	Pivot pin DIN 7	Stainless steel	-	100	21100-671
3	Identification strip	Polyester film, matt-self-adhesive	silver	100	21100-672

SPQ (Standard Pack Quantity): Part number includes 1 piece, but delivery is exclusively made in standard pack quantity: Please order at least 10 pieces PCB handles or a multiple

PCB retainer A



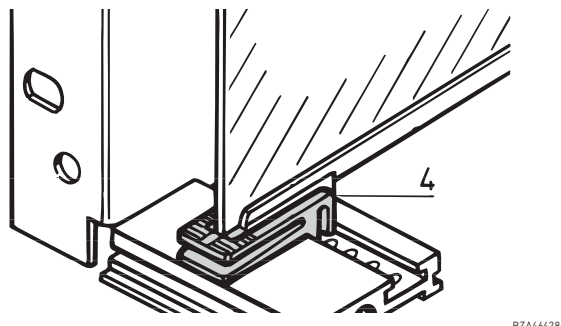
- Can also be used without PCB handle
- Application on top and bottom horizontal rail

Order Information

Item	Description	Material	Colour	Qty	Part no.
4	PCB retainer A for top and bottom	PPE, UL 94 V-0	red	1 piece (SPQ 10)	60817-097

SPQ (Standard Pack Quantity): Part number includes 1 piece, but delivery is exclusively made in Standard Pack Quantity: Please order at least 10 pieces PCB retainers or a multiple

PCB retainer B



- Can be used on upper and lower horizontal rail, for PCB thickness 1.6 mm
- Can also be used without PCB handle
- Can also be used with guide blocks

Order Information

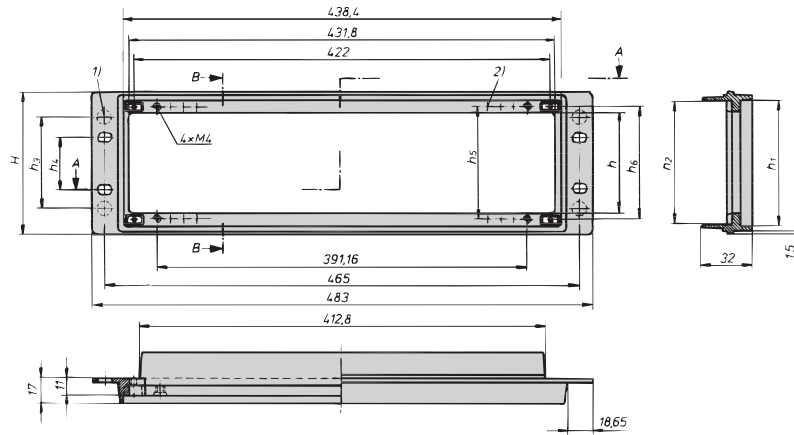
Item	Description	Material	Colour	Qty	Part no.
4	PCB retainer, bottom	PPE, UL 94 V-0	red	1 piece (SPQ 10)	60817-054
4a	PCB securing top	PPE, UL 94 V-0	black	1 piece (SPQ 10)	60817-071

SPQ (Standard Pack Quantity): Part number includes 1 piece, but delivery is exclusively made in Standard Pack Quantity: Please order at least 10 pieces PCB retainers or a multiple

19" chassis - *inpac*

Dimensions

19" front frame

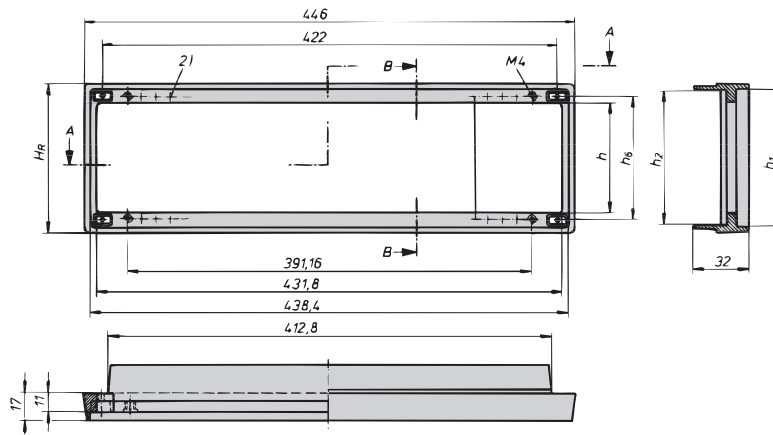


Section A-A

There are counterbores at the rear side of the front frame which can be drilled if required:

- 1) For handle mounting
- 2) For mounting of partial-width front panel (grid 5.08 mm)

19" rear frame



Section A-A

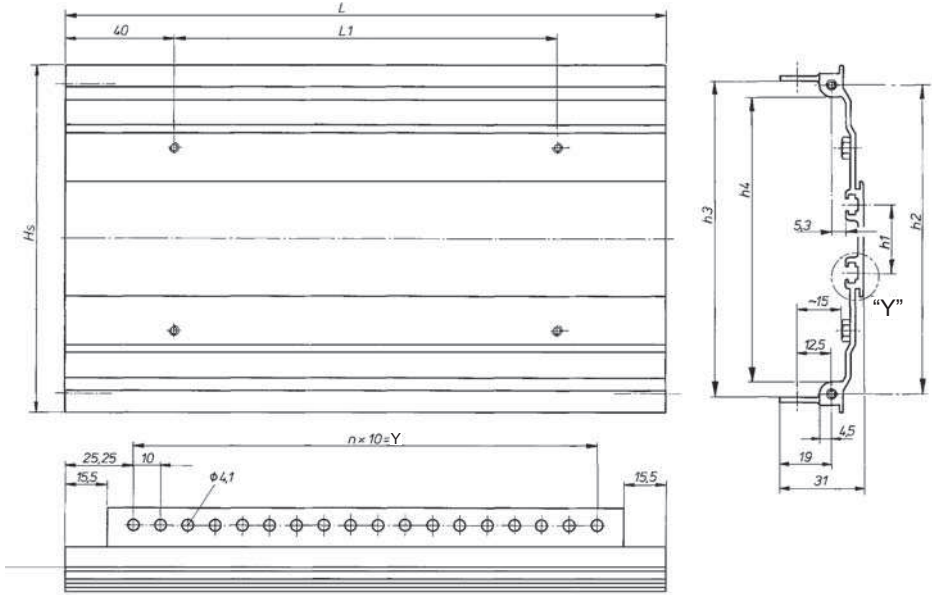
Dimensions table

Height in U	H	H _R	h	h ₁	h ₂	h ₃	h ₄	h ₅	h ₆	h ₇
2	88,0	86,0	57,5	77,3	69,8	25,0	76,2	65,5	68,0	68,4
3	132,5	130,5	102,5	121,8	114,3	90,0	57,1	110,0	112,5	112,8
4	177,0	175,0	146,5	166,3	158,8	134,5	101,6	154,5	157,0	157,3
6	265,9	263,9	235,4	255,2	247,7	233,4	190,4	243,4	245,9	245,9

19" chassis - *inpac*

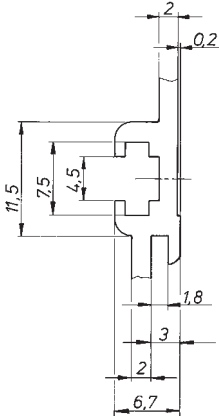
Dimensions

Side panel



A3--304a

Detail "Y"



A3--304b

Dimensions table

Height										
in U	H	h ₁	h ₂	h ₃	h ₄	L	L ₁	(n)	Y	T
2	82,6	-	68,0	71,4	59,0	220,5	140,5	17,0	170	254,5
2	82,6	-	68,0	71,4	59,0	280,5	200,5	23,0	230	314,5
2	82,6	-	68,0	71,4	59,0	340,5	260,5	29,0	290	374,5
3	127,0	24,0	112,5	115,8	103,5	220,5	140,5	17,0	170	254,5
3	127,0	24,0	112,5	115,8	103,5	280,5	200,5	23,0	230	314,5
3	127,0	24,0	112,5	115,8	103,5	340,5	260,5	29,0	290	374,5
4	171,0	68,5	157,0	160,3	148,0	220,5	140,5	17,0	170	254,5
4	171,0	68,5	157,0	160,3	148,0	280,5	200,5	23,0	230	314,5
4	171,0	68,5	157,0	160,3	148,0	340,5	260,5	29,0	290	374,5
6	260,4	157,1	245,9	248,9	236,5	220,5	140,5	17,0	170	254,5
6	260,4	157,1	245,9	248,9	236,5	280,5	200,5	23,0	230	314,5
6	260,4	157,1	245,9	248,9	236,5	340,5	260,5	29,0	290	374,5