

# GL66 SERIES STAINLESS STEEL SCREW COVER WALL-MOUNT ENCLOSURES



Aesthetic styling and an attractive, stroked finish make GL66STE enclosures an excellent choice when style and functionality are important.

GL66STE enclosures have an outward formed body flange to prevent contaminants from entering the enclosure and are available in two cover styles: hinged solid door and solid screw cover.

## INDUSTRY STANDARDS

Mounting brackets required to meet UL/CSA external mounting requirements.

UL 508A Listed; Type 4, 4X, 12; File No. E61997  
cUL Listed per CSA C22.2 No 94; Type 4, 4X, 12;  
File No. E61997

NEMA/EEMAC Type 4, 4X, 12  
CSA File No. 42186: Type 4, 4X, 12  
IEC/EN 60529, IP66  
IEC/EN 62262, IK10

## MODIFICATION AND CUSTOMIZATION

Hoffman excels at modifying and customizing products to your specifications.

Contact your local Hoffman sales office or distributor for complete information.

## ACCESSORIES

- DIN Rail Mounting Brackets symmetrical for height and width
- Mounting Panels 2,0 mm galvanized steel
- Mounting Bracket Kit

## SPECIFICATIONS

- Stainless steel wall-mount GL66, IP66, UL/NEMA Type 4X enclosure
- Stainless steel type 304 or type 316L in standard
- Material thickness: 1,5 mm covers and 1,2 mm bodies
- Mounting panels or DIN rail must be ordered separately
- Seams continuously welded and ground smooth
- External formed body flange trough
- Fastening holes in back of body for direct mounting or optional external mounting brackets
- Seamless foam-in-place gasket
- M6 bonding provision on cover, M6 ground stud in body
- Cover and body have 320 grain brushed finish
- Furnished hardware kit includes panel mounting screws, grounding hardware and sealing washers for wall-mounting holes
- Captivated Type 316 stainless steel cover screws with sealing bushings made of a durable composite material
- Integral compression stops maintain optimal gasket compression
- Installation instructions

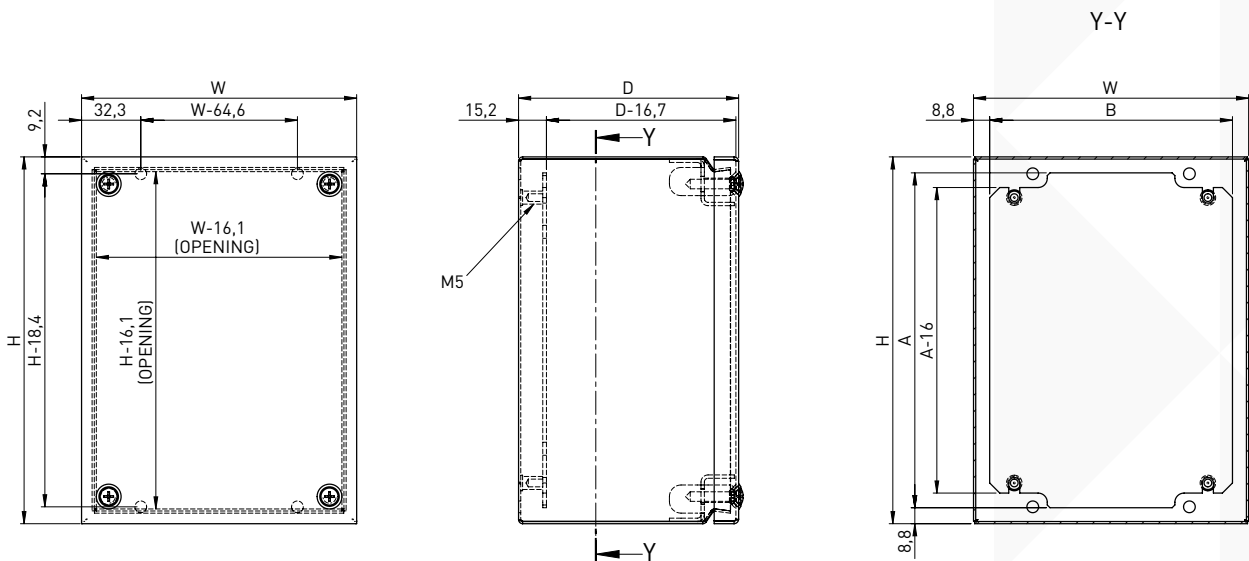


DESIGN WITH CONFIDENCE

# GL66 SERIES STAINLESS STEEL SCREW COVER WALL-MOUNT ENCLOSURES

## STANDARD PRODUCT

Item number	Description	H [mm]	W [mm]	D [mm]	Material	Conductive mounting panel
MSC15015080SSE	Wallmount StSt304 IP66 Screw cov	150	150	80	304	MSC150P150GE
MSC150150120SSE	Wallmount StSt304 IP66 Screw cov	150	150	120	304	MSC150P150GE
MSC15030080SSE	Wallmount StSt304 IP66 Screw cov	150	300	80	304	MSC300P150GE
MSC200150120SSE	Wallmount StSt304 IP66 Screw cov	200	150	120	304	MSC200P150GE
MSC20020080SSE	Wallmount StSt304 IP66 Screw cov	200	200	80	304	MSC200P200GE
MSC200200120SSE	Wallmount StSt304 IP66 Screw cov	200	200	120	304	MSC200P200GE
MSC20030080SSE	Wallmount StSt304 IP66 Screw cov	200	300	80	304	MSC300P200GE
MSC200300120SSE	Wallmount StSt304 IP66 Screw cov	200	300	120	304	MSC300P200GE
MSC20040080SSE	Wallmount StSt304 IP66 Screw cov	200	400	80	304	MSC400P200GE
MSC200400120SSE	Wallmount StSt304 IP66 Screw cov	200	400	120	304	MSC400P200GE
MSC250200150SSE	Wallmount StSt304 IP66 Screw cov	250	200	150	304	MSC250P200GE
MSC300300120SSE	Wallmount StSt304 IP66 Screw cov	300	300	120	304	MSC300P300GE
MSC300400120SSE	Wallmount StSt304 IP66 Screw cov	300	400	120	304	MSC400P300GE
MSC150150120SS6E	Wallmount StSt316L IP66 Screw cov	150	150	120	316L	MSC150P150GE
MSC200150120SS6E	Wallmount StSt316L IP66 Screw cov	200	150	120	316L	MSC200P150GE
MSC200300120SS6E	Wallmount StSt316L IP66 Screw cov	200	300	120	316L	MSC300P200GE
MSC250200150SS6E	Wallmount StSt316L IP66 Screw cov	250	200	150	316L	MSC250P200GE
MSC300300120SS6E	Wallmount StSt316L IP66 Screw cov	300	300	120	316L	MSC300P300GE



Specific size drawings available on request.

### NOTES:

- Panel screws are M5-0,8 pan head
- Rear mounting holes will accommodate M6-1,0 or 1/4-20UNC mounting screws (supplied by customer)
- Panels are 2,0mm conductive steel

*Hoffman*

# GL66 SERIES STAINLESS STEEL SCREW COVER WALL-MOUNT ENCLOSURES

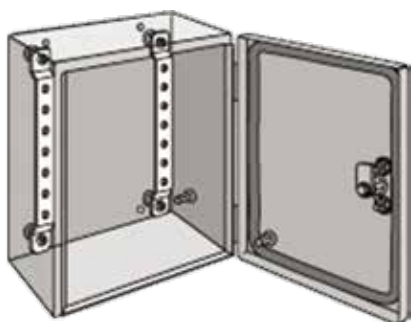
## ACCESSORIES

### MOUNTING PLATE

Item number	Description	A	B
MSC150P150GE	MPL for GL66 SC size 150x150 mm	132,5	132,5
MSC200P150GE	MPL for GL66 SC size 200x150 mm	182,5	132,5
MSC200P200GE	MPL for GL66 SC size 200x200 mm	182,5	182,5
MSC250P200GE	MPL for GL66 SC size 250x200 mm	232,5	182,5
MSC300P150GE	MPL for GL66 SC size 300x150 mm	282,5	132,5
MSC300P200GE	MPL for GL66 SC size 300x200 mm	282,5	182,5
MSC300P300GE	MPL for GL66 SC size 300x300 mm	282,5	282,5
MSC400P200GE	MPL for GL66 SC size 400x200 mm	382,5	182,5
MSC400P300GE	MPL for GL66 SC size 400x300 mm	382,5	282,5

Please purchase the panels separately

### DIN RAIL MOUNTING KIT



Use as a mounting framework to install DIN rails or a panel. Bracket is offset for additional space in front of or behind mounted equipment. Mounting hardware included.

Item no.	Description	H or W of enclosure [mm]
LMK15E	DIN moun.brackets for GL66 SC	150
LMK20E	DIN moun.brackets for GL66 SC	200
LMK25E	DIN moun.brackets for GL66 SC	250
LMK30E	DIN moun.brackets for GL66 SC	300
LMK40E	DIN moun.brackets for GL66 SC	400

### WALL-MOUNTING BRACKETS



Kit is field-installable. Hardware included.  
Four brackets per kit

Item no.	Description
LMFKSS	SS304 w.m. brackets for GL66 SC

DESIGN WITH CONFIDENCE



[WWW.PENTAIRPROTECT.COM](http://WWW.PENTAIRPROTECT.COM)

**EUROPE**

Straubenhardt, Germany  
Tel: +49.7082.794.0

Betschdorf, France  
Tel: +33.3.88.90.64.90

Warsaw, Poland  
Tel: +48.22.60.70.616

Hemel Hempstead,  
Great Britain  
Tel: +44.1442.24.04.71

Skarpnäck, Sweden  
Tel: +46.8.683.61.00

Pregnana Milanese, Italy  
Tel: +39.02.932.714.1

Moscow, Russia  
Tel: +7.495.730.52.53

**MIDDLE EAST & AFRICA**

Dubai, United Arab Emirates  
Tel: +971.4.37.81.700

**NORTH AMERICA**

Minneapolis, MN  
Tel: +1.763.421.2240

Warwick, RI  
Tel: +1.401.732.3770

San Diego, CA  
Tel: +1.858.740.2400

Radford, VA  
Tel: +1.540.639.4440

Mexico, D.F.  
Tel: +52.55.5280.1449

Toronto, Canada  
Tel: +1.416.289.2770

**SOUTH AMERICA**  
São Paulo, S.P., Brazil  
Tel: +55.15.3363.9100

Boituva, Brazil  
Tel: +55.15.3363.9101

**ASIA**

Shanghai, P.R. China  
Tel: +86.21.2412.6943

Qingdao, P.R. China  
Tel: +86.532.8771.6101

Bangalore, India  
Tel: +91.80.6715.2000

Singapore  
Tel: +65.679.52213

Shin-Yokohama, Japan  
Tel: +81.45.476.0271

Langenalber Str. 96-100, D-75334 Straubenhardt

All Pentair trademarks and logos are owned by Pentair or its global affiliates. Pentair reserves the right to change specifications without prior notice.