

**Intel® Pentium® 4 Processor
(Socket 478) CPU Cooler
For 1U server**

SAN ACE MC



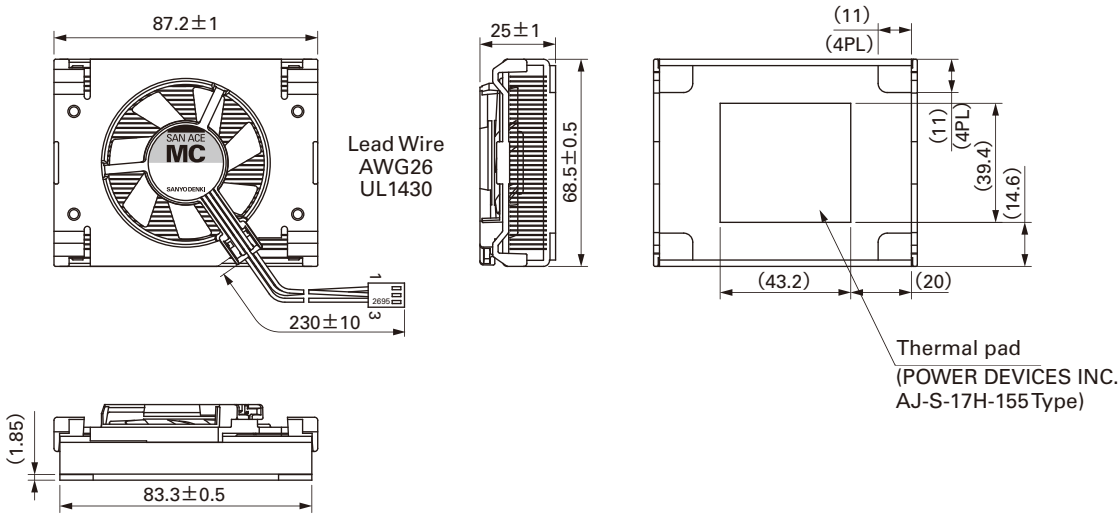
General Specifications

- Material Frame: Plastics (Flammability: UL94V-0),
Impeller: Plastics (Flammability: UL94V-1) Heatsink: Copper
- Lead Wire ⊕yellow (Connector No.2 side) ⊖black (Connector No.1 side)
(Sensor) green (Connector No.3 side)
- Connector Molex 22-01-3037: P/N 2695-03RP
- Contact Molex P/N 5159PBT or 2759T-equivalent
- Mounting method Use Mounting Clip 109-1011 2pcs.
- Option (Separate order) ... Model.No.109-1011
- Mass 340g

Specifications

Model No.	Rated Voltage [V]	Operating Voltage Range [V]	Rated Current [A]	Rated Speed [min ⁻¹]	θ c-a Thermal Resistance [K/W]	SPL [dB(A)]	Operating Temperature [°C]	Life Expectancy [h]
109X9412G4016	12	7 to 13.2	0.29	7,600	0.435	52	0 to +70	40,000

Dimensions (Unit : mm)



Mounting Clip

Model No : 109-1011 Material : Stainless steel

