

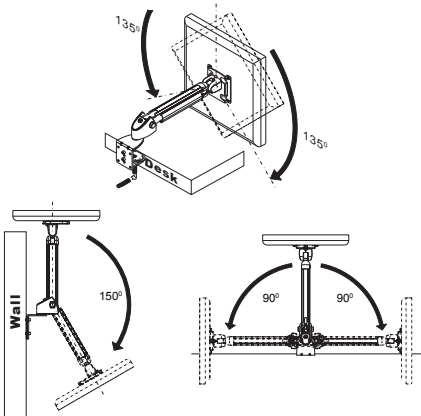
AG-01

Adjust to any viewing angle or any position in seconds with the AG Neovo AG-01 multi-directional arm mount.



This VESA compliant arm mount, suitable for both desktop and wall mounting, helps free up valuable desktop space. An integrated cable management system neatly conceals power and video cables, and the SUSPA gas-spring suspension system delivers years of smooth and stable performance. The AG-01 works with AG Neovo displays and is suitable for a variety of display environments.

- > Stylish design
- > Wide range of angle adjustments
- > SUSPA gas-spring system
- > Integrated cable management system
- > Dual-tone colour matches AG Neovo displays
- > Conforms with VESA FPMPI mounting standards
- > Supports up to 8.0 kg (18.0 lbs)



Cable management system neatly conceals display power and video cables

Specifications

Mounting	Display	VESA Standard (75 x 75 mm & 100 x 100 mm)	
Loading	Weight Capacity	8.0 kg (18.0 lbs)	
Gas Spring System		SUSPA Gas	
Arm Adjustments	Up/Down Left/Right	Desktop Mount 90°/90° 90°/90°	Wall Mount 150°/150° 90°/90°
LCD Display Adjustments	Up/Down Left/Right Rotate (Pivot)	Desktop Mount 90°/90° 90°/90° 135°/135°	Wall Mount 90°/90° 90°/90° 135°/135°
Exterior	Material Surface Finish Colour	Steel and die-cast aluminum Powder coating Silver with gray trim	
Organiser	Cable Organiser	Yes	
Product Dimensions (W x H x D)		538 x 140 x 150 mm (21.2" x 5.5" x 5.9")	
Packaging Dimensions (W x H x D)		525 x 136 x 146 mm (20.7" x 5.4" x 5.8")	
Product Weight		2.7 kg (6.0 lbs)	
Packaged Product Weight		4.2 kg (9.2 lbs)	
Accessories	Supplied	User manual, cranking unit, cable cover, wall mount plate, bolt (x4), screw A (x4), screw B (x4), spring washers (x4), allen key	