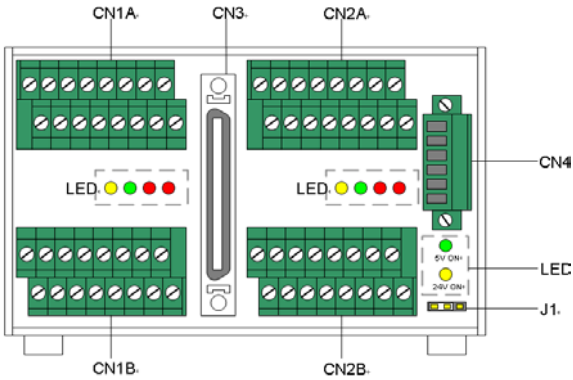


# ADAM-3968M General Servo/Stepping Driver Startup Manual

## Board Components



Slot	Description
J1	Type Select Jump
CN1A/CN2A	Machine I/O Pin Descriptions
CN1B/CN2B	Driver I/O Pin Descriptions
CN3	Connector to PCI-1247
CN4	External Power Input connector
LED	Status Display

For more information on this and other Advantech products, please visit our website at:

<http://www.advantech.com>

<http://www.advantech.com/eAutomation>

For technical support and service, please visit our support website at:

<http://service.advantech.com.tw/eservice/>

This manual is for ADAM-3968M.

Part No. 2003396820

1st Edition  
August 2004

# Component Descriptions and Settings

## J1 Type Selection Jumper



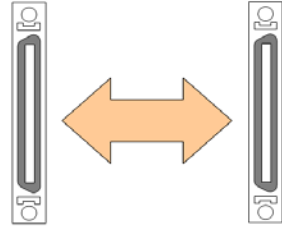
**PNP Type**



**NPN Type (default)**

*Note: Wrong settings may cause damage*

## CN3 Connector to PCI-1247



**CN3.**

**ADAM-3968M.**

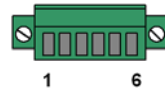
**PCI-1247.**

**SCSI-68 Connector**

## CN1B/CN2B Pin Descriptions

Label	Description
ALM	Servo Alarm Signal Input
ERC	Clear Servo Error Counter Signal Output
SVON	Servo On Signal Output
INP	In-Position Signal Input
RDY	Servo Ready Signal input
RALM	Rest Servo Alarm Signal Output
EA+	Encoder A Phase (+)
EA-	Encoder A Phase (-)
EB+	Encoder B Phase (+)
EB-	Encoder B Phase (-)
EZ+	Encoder Z Phase (+)
EZ-	Encoder Z Phase (-)
OUT+	Pulse Signal Output (+)
OUT-	Pulse Signal Output (-)
DIR+	Direction Signal Output(+)
DIR-	Direction Signal Output(-)

## CN4 External Power Input Connector



Pin	Label	Description
1	24V	DC 24V
2	GND	DC 24V Ground
3	FG	Field Ground
4	24V	DC 24V
5	GND	DC 24V Ground
6	FG	Field Ground

## CN1A/CN2A Pin Descriptions

Label	Description
24V	DC 24V Power Output
GND	Ground
PEL	End Limit Signal (+)
MEL	End Limit Signal (-)
ORG	Home Signal Input
SLD	Ramp-Down Signal Input
LTC+	Latch Signal Input (+)
LTC-	Latch Signal Input (-)
EMG	Emergency Stop Input
CMP	Position Compare signal Output
DI	Digital Input Signal
DO	Digital Output Signal

## LED Status Display

Label	Description
5VON	DC 5V Power Input Ready
24VON	DC 24V Power Input Ready
PEL	End Limit Signal (+)
MEL	End Limit Signal (-)
ORG	Home Signal Input
SLD	Ramp-Down Signal Input