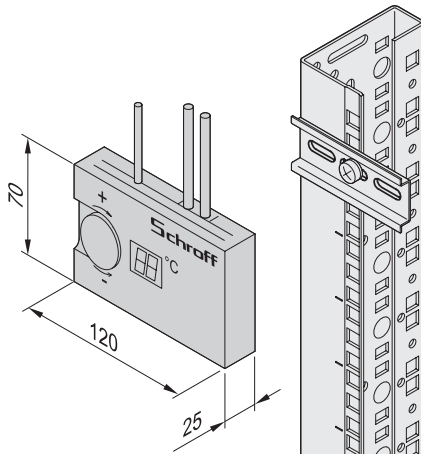


Climate control – Accessories

Speed control for fans



00505033



01105055

- Plug + Play for all fans and fan units with IEC 320 connector
- Fast assembly on cabinet with support rail
- Digital display of ambient temperature
- Simple adjustment of temperature

Delivery comprises (assembled)

Item	Qty	Description
1	1	Speed control, see technical data
2	1	Temperature sensor, cable length 1.5 m
3	1	Fan cable, cable length 1.5 m with IEC 320 female connector
4	1	Mains cable, cable length 3 m, SCHUKO/UTE-connector
5	1	Support rail, St, zinc-plated (EN 50022)
6	1	Assembly kit

Order Information

Description	115 V _{AC}	230 V _{AC}
	Order no.	Order no.
Speed control for fan	10713-549	10713-550

Technical data

	115 V _{AC}	230 V _{AC}
Voltage	115 V _{AC}	230 V _{AC}
Frequency	50...60 Hz	
Max. connecting power	250 W	
Adjustment range	+25 ... +50 °C	
Speed frequency of the fan	30 ... 100 %	
Sensor	External NTC resistor	
Sensor connector	Plug-in contact and cable 1.5 m	
At sensor break	Max. speed	
Fan connector	Cable 1.5 m with IEC 320 female connector	
Power supply	Cable 3 m with SCHUKO/UTE connector	



For further information www.schroff.biz/oneclick
oneClick code = Order no.

Climate control – Accessories

Thermostat with integrated temperature sensor



01102008

- To connect heaters or fans
- Adjustment range 5 ... 60 °C

Delivery comprises

Item	Qty	Description
1	1	Thermostat with clip-on attachment for 35 mm DIN-rail EN 50022, voltage 200 ... 250 V _{AC} and 100 ... 130 V _{AC} respectively
2	1	Support rail, length 200 mm
3	1	Connecting cable, length 1.5 m
4	1	Strain relief
5	1	Assembly kit for cabinet assembly

Order Information

Item	Description	Order no.
1 ... 5	Thermostat with integral temperature sensor, 230 V _{AC} , PU 1 kit	20715-002
1 ... 5	Thermostat with integral temperature sensor, 115 V _{AC} , PU 1 kit	20715-007
1	Thermostat with integral temperature sensor, 230 V _{AC} , PU 1 kit	60715-001

Technical data

Dimension (height x width x depth)	75 mm x 75 mm x 25 mm
Adjustment range	5 ... 60 °C
Switch difference	0.5 K
Supply voltage	200 ... 250 V _{AC}
Contact load (ohmic load / inductive load)	Heating (terminal 1 - 2) 10 A / 4 A Cooling (terminal 1 - 3) 5 A / 2 A
Contacts	Changeover contact, single pole
Assembly	Bolt-on, clip-on attachment for support rail



For further information www.schroff.biz/oneclick
oneClick code = Order no.

Climate control – Accessories

Thermostat with external temperature sensor



01102007

- To connect heaters or fans
- External sensor can be positioned near the critical heat source
- Adjustment range 20 ... 60 °C, switch difference 3 ... 10 K

Delivery comprises

Item	Qty	Description
1	1	Thermostat with external temperature sensor, sensor length approx. 1.7 m
2	1	Mounting plate for cabinet assembly, Al, 2.5 mm
3	1	Assembly kit

Order Information

Description	Order no.
Thermostat with external temperature sensor	20715-003

Technical data

Dimension (height x width x depth)	93 mm x 68 mm x 44 mm
Adjustment range	20 ... 60 °C
Switch difference	3 ... 10K
Mains/line voltage	90 ... 260 V _{AC}
Contact load (ohmic load / inductive load)	24 A/10 A
Contacts	Changeover contact, single pole
Assembly	Bolt-on

Thermostat with with integrated temperature sensor and connection for fans



00505026

- Plug + Play for all fans and fan units with IEC 320 connectors
- Mains connector SCHUKO/UTE

Delivery comprises

Item	Qty	Description
1	1	Thermostat for fan
2	1	Mounting plate for cabinet assembly
3	1	Assembly kit

Order Information

Description	Order no.
Thermostat with integrated temperature sensor and connection for fan	20118-750

Technical data

Mains/line voltage	230 V _{AC} , max. 10 A
Adjustment range	0 ... 70 °C
Dimension (height x width x depth)	43 mm x 33 mm x 60 mm
Function	Switches on when adjusted temperature is exceeded

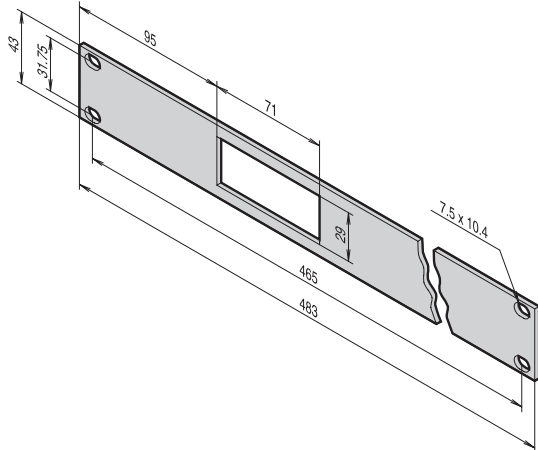
Climate control – Accessories

Thermostat with digital display



01197001

Front panel 1 U



SZA45550

- Adjustment range from - 50 ... + 100 °C (switch difference 0 ... 10 °C)
- Display can be switched from °C to °F
- Programmable (secured against unauthorised operation)
- 3-digit, red segment display

Order Information

Description	Order no.
Thermostat with digital display, 230 V _{AC}	60715-132
Thermostat with digital display, 115 V _{AC}	60715-133
Front panel 1 U, RAL 7035 With cut-out for thermostat	30118-315
Front panel 1 U, anodised With cut-out for thermostat	30118-267
Front panel 1 U, RAL 7021 With cut-out for thermostat	30118-360

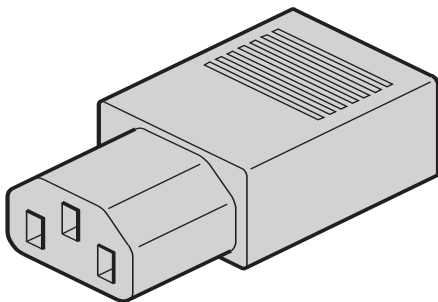
Technical data

Operating voltage	230 V _{AC}
Power consumption	Approx. 3.5 W
Dimension (height x width x depth)	35 mm x 76 mm x 59 mm
Assembly cut-out	28.8 x 70.5 mm
Adjustment range	- 50 ... + 10 °C
Switch difference	0 ... 10 K available
Data security at mains failure	Non-elusive storage
Contact load (ohmic load/ inductive load)	8 A/3 A
Inlet/sensor	PTC sensor, - 5 ... + 120 °C, cable length 3 m
Contacts	Relay, changeover contact, single pole
Type of protection, front	IP 54
Connection	Screw-on terminal 2.5 mm ³
Mounting	Attachment with clamping yoke
Assembly	Bolt-on



For further information www.schroff.biz/oneclick
oneClick code = Order no.

IEC inlet connector



KT445246

- For connection of fans
- Bolted housing made of heat-resistant plastic (UL 94 V-0)
- 10 A / 250 V_{AC}, class of protection I

Order Information

Description	Order no.
IEC inlet connector	60715-046



For further information www.schroff.biz/oneclick
oneClick code = Order no.

Climate control – Accessories

Hygostat



01102006

- Switches fans and heaters on when humidity level is exceeded
- With connecting cable

Delivery comprises (assembled)

Item	Qty	Description
1	1	Hygostat with clip-on attachment for 35 mm DIN rail EN 50022, switching voltage 200 ... 250 V _{AC}
2	1	Support rail, length 200 mm
3	1	Connection cable, length 1.5 m
4	1	Assembly kit

Order Information

Description	Order no.
Hygostat, switching voltage 230 V _{AC} , PU 1 kit	20715-004

Technical data

Switching voltage	200 ... 250 V _{AC}
Adjustment range	35 ... 100 % relative humidity
Dimension (height x width x depth)	75 mm x 75 mm 25 mm
Switch difference	approx. 4 %
Contact load AC: 24 - 230V	5 A / 0.2 A (ohmic/inductive load)
Contact load DC	max. 60 W
Contacts	Changeover contact, single pole
Assembly	Bolt-on, alternatively with clip-on attachment for support rail 35 mm, DIN EN 50022



For further information www.schroff.biz/oneclick
oneClick code = Order no.

Climate control – Accessories

Hygrostat for with integrated sensor and mains connection



00605027

- Switches fan on when humidity level is exceeded
- Plug + Play for all fans and fan trays with IEC 320 connectors
- Mains connector SCHUKO/UTE

Delivery comprises (assembled)

Item	Qty	Description
1	1	Hygrostat, 230 V _{AC}
2	1	Mounting plate for cabinet assembly
3	1	Assembly kit

Order Information

Description	Order no.
Hygrostat with integrated sensor and mains connection 230 V _{AC}	20118-752

Technical data

Mains/line voltage	230 V _{AC} , max. 10 A
Adjustment range	35 to 95 % humidity
Dimension (height x width x depth)	67 mm x 50 mm x 38 mm



For further information www.schroff.biz/oneclick
oneClick code = Order no.