

Overview 0

Cabinets 1

Wall mounted 2
cases

Accessories for
cabinets and wall
mounted cases 3

Climate control 4

Table top cases 5

Subracks/
19" chassis 6

Front panels,
plug-in units 7

Systems 8

Power supply 9
units

Backplanes 10

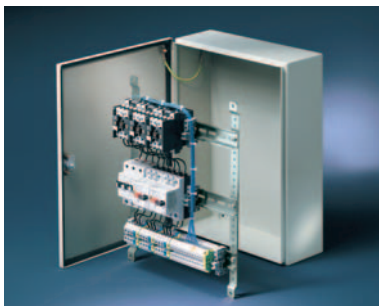
Connectors, front
panel component
system 11

Appendix 12

Wall mounted cases – INLINE



41402001



40796001

Internal mounting can be pre-assembled



41402002

Easy assembly of the mounting plate



40796005

Easy wall mounting

Standards

- Type of protection IP 66 (or IP 55) according to IEC 60529
- UL 508 type 12
- NEMA 250 type 12
- CSA-C22.2 No.94 type 12



Modifications

- Special colours
- Other heights and widths
- Customer specific cut-outs



Further important information can be found on the Internet under www.schroff.biz



Wall mounted cases – INLINE

Overview 2.34

Robust small case for wall mounting

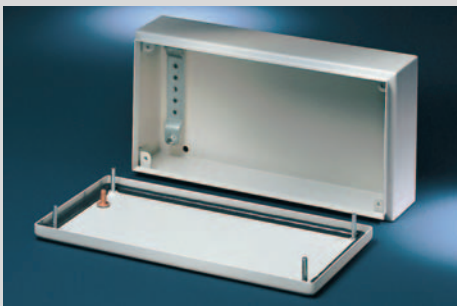
- Type of protection up to IP 66
- For assembly of support rails or mounting plates
- Dimensions from 150 x 150 x 80 mm up to 400 x 400 x 120 mm

Terminal case .. 2.36

Installation case 2.37

Bus case
For PG cable ducting 2.38
With flange plate . 2.39

INLINE Accessories
Mounting plate . . . 2.40
Wall mounting bracket 2.40
Support rails 2.41



40996006

Terminal case

- Type of protection IP 66
- Pre-assembled and wired before installation with support rails
- Cover screwed



40796004

Installation case

- Type of protection IP 66
- Pre-assembled and wired before installation with support rails
- Door opening angle 180°, hinged



40896006

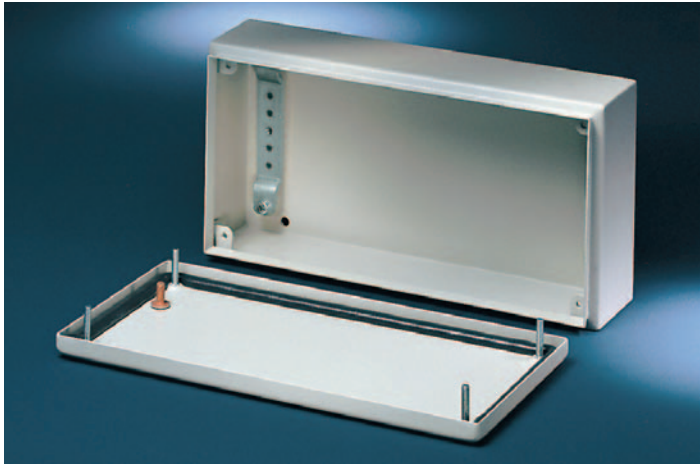
Bus case

- Type of protection IP 55
- For assembly of various bus systems
- Pre-assembled and wired before installation with support rails
- Door opening angle 180°, hinged

For bigger cases see chapter
Wall mounted cases - CONCEPTLINE

Wall mounted cases - INLINE

Terminal case



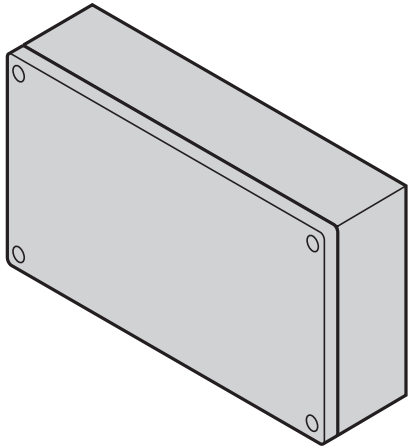
- Type of protection IP 66
- Pre-assembled and wired before installation with support rails
- Installation of mounting plate instead of mounting rail possible
- Screwed cover

Delivery comprises (assembled)

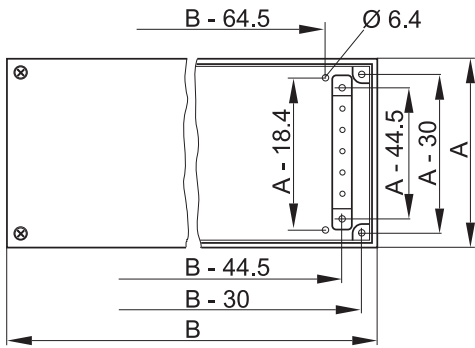
Item	Qty	Description
1	1	Basic case, St, 1.4 mm, RAL 7032
2	1	Top cover, St, 1.4 mm, RAL 7032, with sealing
3	2	Assembly rail, St, 3.4 mm, zinc-plated
4	1	Assembly kit for internal configuration

Order Information

A	B	C	Weight	Order no.
mm	mm	mm	kg	
150	150	80	0.9	12405-001
150	150	120	1	12405-020
150	300	80	1	12405-002
150	300	120	1.1	12405-021
200	200	80	1	12405-003
200	200	120	1.1	12405-022
200	300	80	1.1	12405-004
200	300	120	1.2	12405-023
200	400	80	1.1	12405-005
200	400	120	1.2	12405-024
300	300	120	1.2	12405-028
300	400	120	1.3	12405-029
400	400	120	1.5	12405-032
Earthing kit				21101-836



KLGEH001



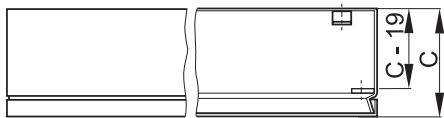
A = height, B = width, C = depth

Note

- Other sizes available on request
- Wall mounting bracket see page 2.40
- Mounting plate see page 2.40
- Support rail see page 2.41



For further information www.schroff.biz/oneclick
oneClick code = Order no.



KLGEH002



Wall mounted cases – INLINE

Installation case



- Type of protection IP 66
- Pre-assembled and wired before installation with support rails
- Installation of mounting plate or support rails on assembly rail
- Door opening angle 180°

Delivery comprises (assembled)

Item	Qty	Description
1	1	Basic case, St, 1.4 mm, RAL 7032
2	1	Door, St, 1.4 mm, RAL 7032 with sealing
3	1	Lock, 3 mm double bit, with key
4	1	Assembly kit

Order Information

A	B	C	Weight	Order no.
mm	mm	mm	kg	
200	200	120	3.5	12405-081
300	200	80	3.2	12405-073
300	200	120	3.5	12405-083
300	300	120	3.7	12405-084
400	200	80	4	12405-074
400	200	120	3.7	12405-085
400	300	120	4	12405-086

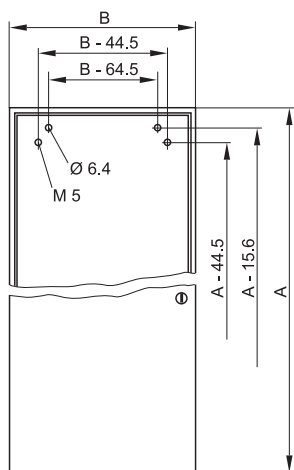
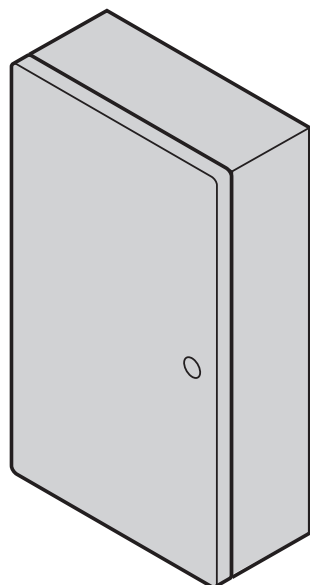
Earthing kit **21101-836**

Assembly rail for internal configuration (A=200 mm, n=8, d=100 mm) St, 3.4 mm, zinc-plated, PU 2 pieces	LMK20
Assembly rail for internal configuration (A=300 mm, n=16, d=200 mm) St, 3.4 mm, zinc-plated, PU 2 pieces	LMK30
Assembly rail for internal configuration (A=400 mm, n=32, d=300 mm) St, 3.4 mm, zinc-plated, PU 2 pieces	LMK40

A = height, B = width, C = depth

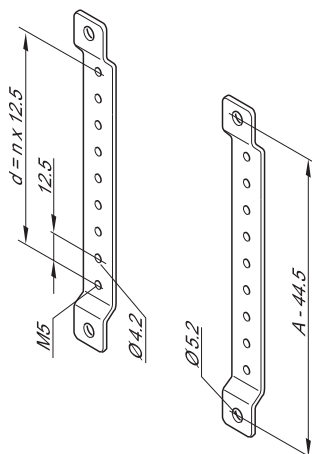
Note

- Other sizes available on request or see chapter CONCEPTLINE
- Wall mounting bracket see page 2.40
- Mounting plate see page 2.40
- Support rail see page 2.41



ingeh001 ingeh002

Assembly rail for internal configuration



ingeh006



For further information www.schroff.biz/oneclick
oneClick code = Order no.

Wall mounted cases – INLINE

Bus case for PG cable ducting

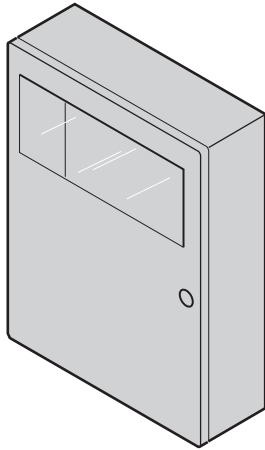


40896003

- Type of protection IP 55
- For retention of various bus systems
- Pre-assembled and wired before installation with support rails
- Door opening angle 180°

Delivery comprises (assembled)

Item	Qty	Description
1	1	Basic case, St, 1.4 mm, RAL 7032
2	1	Glazed door, St, 1.4 mm, RAL 7032, with sealing
3	1	Lock, 3 mm double bit, with key
4	2	Assembly rail for internal configuration, St, 3.4 mm, zinc-plated
5	2	Support rail TS 35/7.5, St, 1 mm, zinc-plated
6	1	Assembly kit



Order Information

A	B	C	Weight	Order no.
mm	mm	mm	kg	
300	200	80	1.6	12405-090
Earthing kit				21101-836

A = height, B = width, C = depth

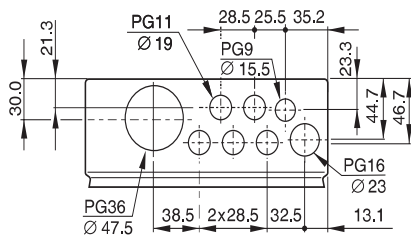
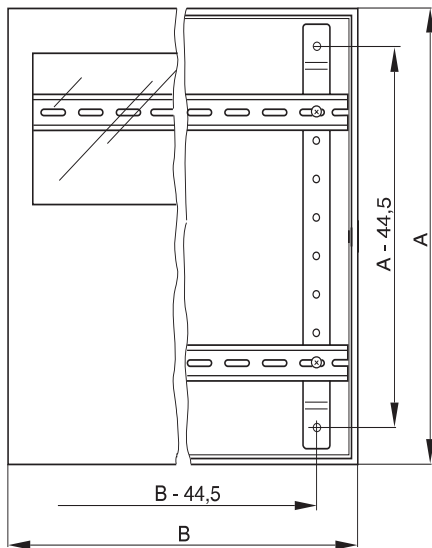
Note

- Other sizes available on request
- Wall mounting bracket see page 2.40

BUGEH001



For further information www.schroff.biz/oneclick
oneClick code = Order no.



BUGEH002



Wall mounted cases – INLINE

Bus case with flange plate

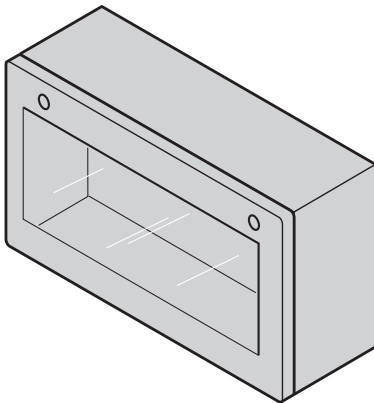


40896006

- Type of protection IP 55
- For retention of various bus systems
- Pre-assembled and wired before installation with support rails
- Door opening angle 180°

Delivery comprises (assembled)

Item	Qty	Description
1	1	Basic case, St, 1.4 mm, RAL 7032
2	1	Glazed door, St, 1.4 mm, RAL 7032, with sealing
3	1	Gland plate, St, 1.4 mm, RAL 7032, with sealing
4	1	Lock, 3 mm double bit, with key (2 locks are necessary for cases of 600 mm width)
5	1	Assembly rail for internal configuration, St, 3.4 mm, zinc-plated
6	2	Support rail TS 35/7.5, St, 1 mm, zinc-plated
7	1	Assembly kit



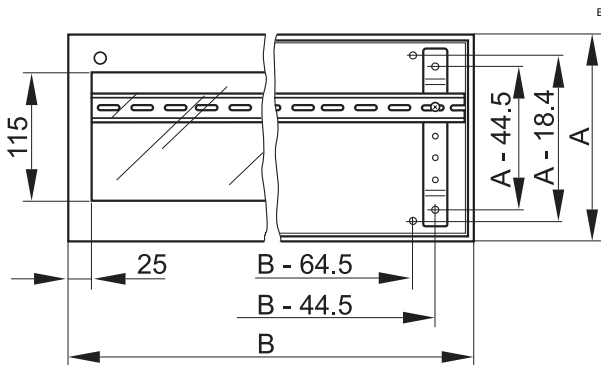
Order Information

A	B	C	Weight	Order no.
mm	mm	mm	kg	
200	400	125	1.7	12405-093
200	600	125	2	12405-094
Earthing kit				21101-836

A = height, B = width, C = depth

Note

- Other sizes available on request
- Wall mounting bracket see page 2.40



BUGEH003



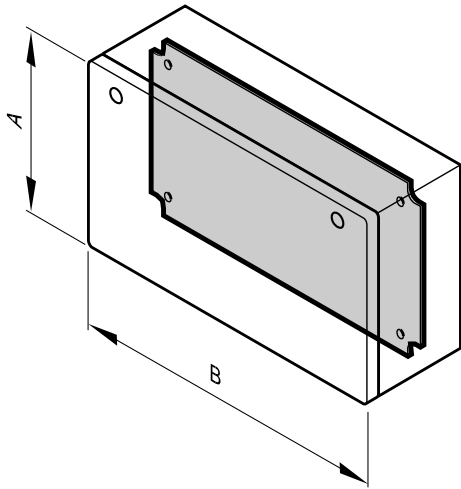
BUGEH004



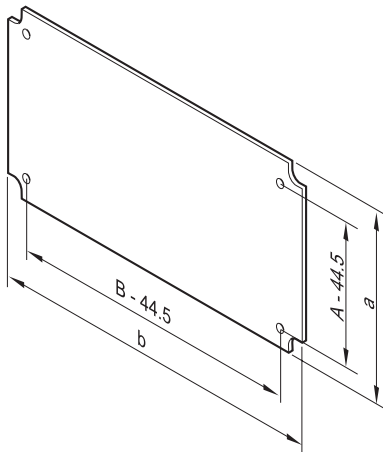
For further information www.schroff.biz/oneclick
oneClick code = Order no.

Wall mounted cases – INLINE

Mounting plate



KLGEH098



KLGEH014

- For assembly of electro-mechanical components

Delivery comprises

Item	Qty	Description
1	1	Mounting plate, St, 2.5 mm, zinc-plated, assembly kit included in basic case

Order Information

Case	Mounting plate		Weight	Order no.	
A	B	a	b		
mm	mm	mm	mm	kg	
150	150	131	131	0.5	32405-024
150	300	131	281	0.7	32405-025
200	200	181	181	0.7	32405-026
200	300	181	281	0.9	32405-027
200	400	181	381	1	32405-028
300	200	281	181	0.8	32405-033
300	300	281	281	0.9	32405-034
300	400	281	381	1.1	32405-035
400	200	381	181	1	32405-038
400	300	381	281	1.2	32405-039
400	400	381	381	1.3	32405-040

A = case height

a = mounting plate height

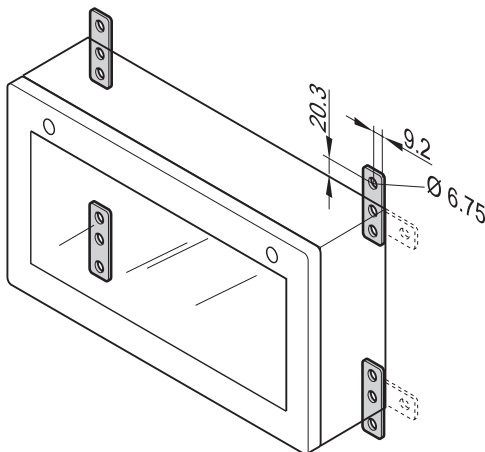
B = case width

b = mounting plate width



For further information www.schroff.biz/oneclick
oneClick code = Order no.

Wall mounting bracket



BUGEH015

Delivery comprises

Item	Qty	Description
1	4	Wall mounting bracket, St, 2.6 mm, zinc-plated
2	1	Assembly kit

Order Information

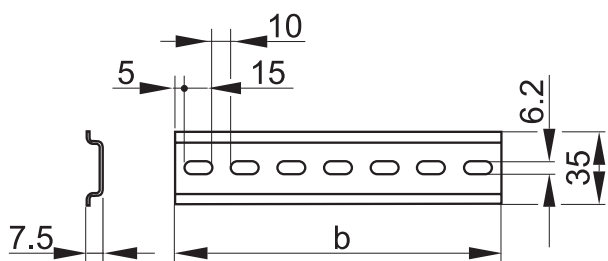
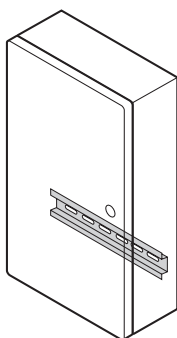
Description	Order no.
Wall mounting bracket	12405-120



For further information www.schroff.biz/oneclick
oneClick code = Order no.

Wall mounted cases - INLINE

Support rail TS 35/7.5 (EN 50022)



INGEH014

KLGEH006

Delivery comprises

Item	Qty	Description
1	4	Support rail, St, 1 mm, zinc-plated, assembly kit included in basic case

Order Information

B mm	b mm	Order no.
150	135	62405-001
200	185	62405-002
300	285	62405-003
400	385	62405-004

B = case width, b = support rail length

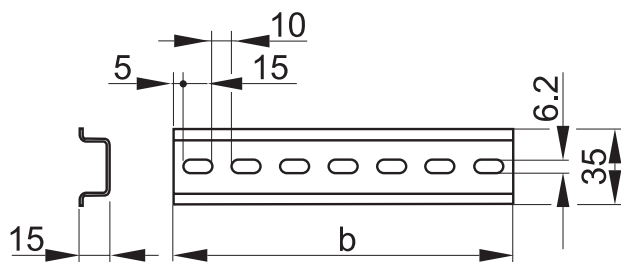
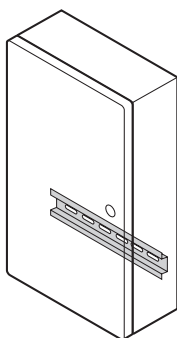
Note

- Assembly rail required for internal configuration of installation case



For further information www.schroff.biz/oneclick
oneClick code = Order no.

Support rail TS 35/15 (EN 50022)



INGEH014

KLGEH006

Delivery comprises

Item	Qty	Description
1	4	Support rail, St, 1 mm, zinc-plated, assembly kit included in basic case

Order Information

B mm	b mm	Order no.
150	135	62405-010
200	185	62405-011
300	285	62405-012
400	385	62405-013

B = case width, b = support rail length

Note

- Assembly rail required for internal configuration of installation case



For further information www.schroff.biz/oneclick
oneClick code = Order no.